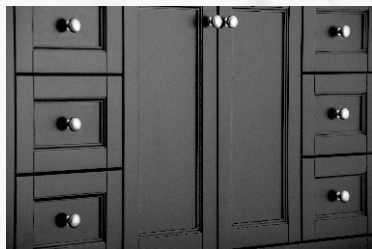


Looking for cultured marble solutions?



About us

Shower Walls & Modular Vanity Tops are one of the largest manufacturers of Cultured Marble tub surrounds and vanity tops. We have successfully delivered and installed more than 4000 projects of the main hotel chains and apartment constructions across the United States. We co-work as a team with 200 people at the present time and produce more than 4000 sets of shower surrounds. Our factory facilities are located 160 miles south of our distribution center conveniently located in Laredo, Texas.

We specialize in premium quality Cultured Marble Tub Surrounds and Shower Bases. Most of these are designed specifically for Hotels, Motel, Apartments, Student Housing and Residential. We offer several pattern styles, Tile look, Diamond Pattern among other popular models that are specified by main hotel chains in North America, such as Hampton Inn, Holiday Express, Courtyard by Marriot, La Quinta Inn, and Comfort Suites just to mention some of the ones we have serviced in the past directly and/or indirectly.

All products are individually packaged to provide maximum protection from factory to final destination. For additional protection, we palletize and band or stretch-wrap all orders. A Frames are recommended.

Our cast polymer products are made by mixing natural filler materials with polyester resin to form a durable product, certified by Universal Laboratories to meet and exceed the standards set by ANSI, the American National Standards Institute.



Index

About us	01
Shower Walls	03
Tub surrounds	06
Shower bases	21
Accesories	37
Free stand bath tubs	40
Hospitality	42
Solid Stone Colors	45
Shower walls instructions	47
Contact	57
Modular Vanity Tops	58
Business References	59
Vanity Tops	60
Vanity Cabinets	67
Vanity Quartz	77
Contact	78
FAQ	79



Product Catalogue





Benefits of our Shower Panels

■ Our Experience

All of our panels are made on site just as we have done since we first went into business over eight years ago. It's this expertise which keep us at the top of our market and ensures that every panel manufactured today is made to the same high standard that we have maintained over the last eight years.



■ Innovation

We are committed to using the most high standard materials when making our shower panels.



■ Our 10 year guarantee

Our panels are guaranteed to remain watertight and waterproof for ten years from your date of purchase. No small prints. As long as they've been installed correctly, we're that confident of our system.

10
Years
Guarantee



■ Cultured Marble

As well as our classic finishes we also offer fully color co-ordinated profiles for our cultured marble meaning that every visible vein matches beautifully.

■ No Grout

Unlike tiles no grout is required to fit the tub surround system, which means that our panels require very little maintenance to keep them looking clean.

■ You'll save some time

The tub surround system is so much quicker to fit than conventional tiles that you may find yourself with enough time to put your feet up and relax.

■ You'll save some money

Unlike with tiles an expert fitter is not required to fit the Tub surround system. This means it takes less time to fit and as an expert is not required, on average makes the tub surround system around 25% cheaper than tiles.

**CULTURED
MARBLE**



Shower Walls

Engineered Stone

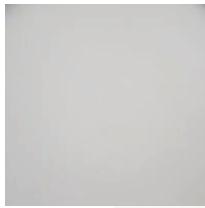
Tub Surrounds



Our Colors



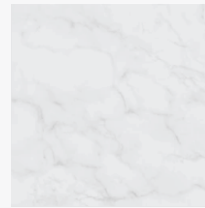
Solid White



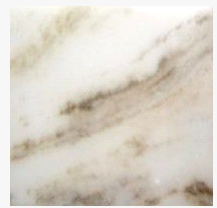
Solid Cream



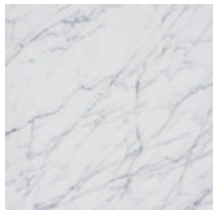
Solid Bone



White / White



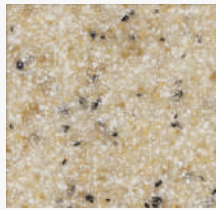
Mexican Sand



Italian White



White Bone



Aurora



Linem



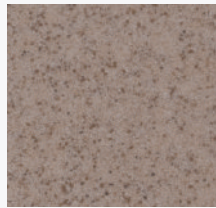
Capuccino



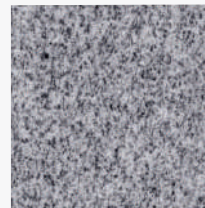
Crystal Almond



Sandy Beach



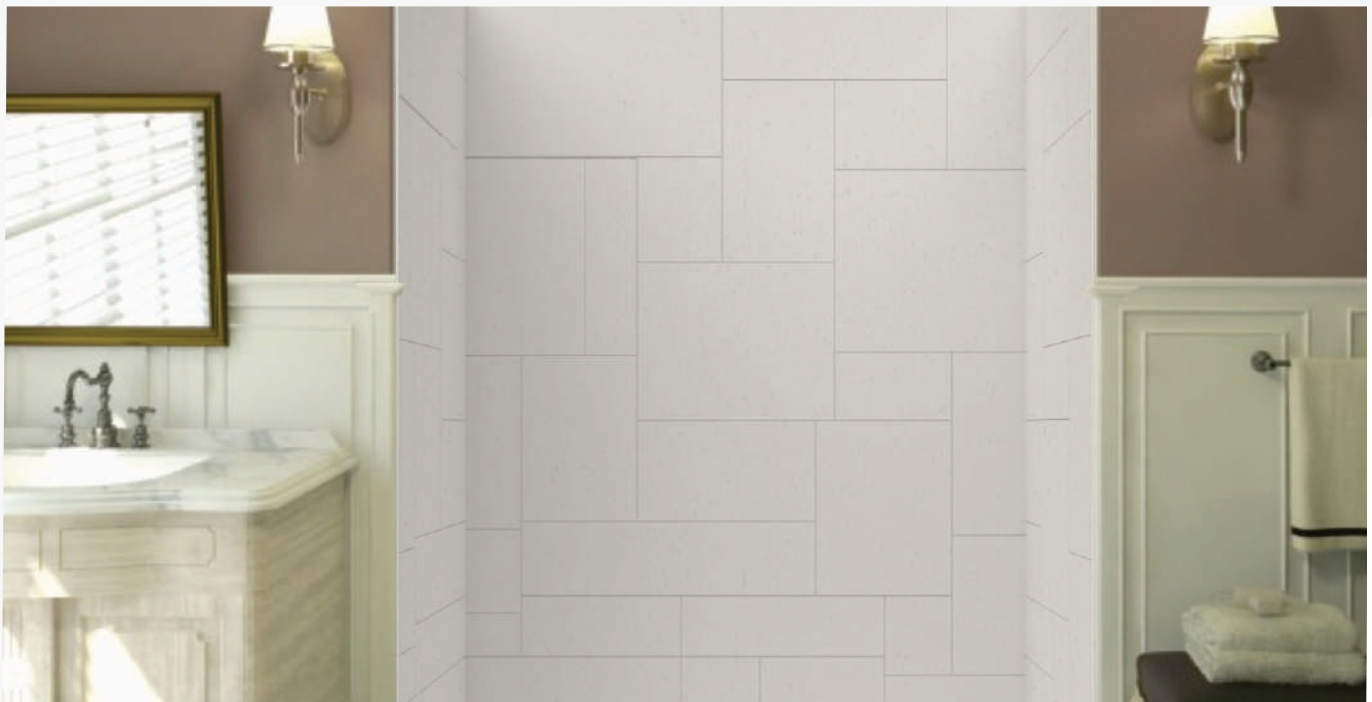
Walnut



Pewter



Galaxy Black



Trendy

■ 6" x 24" Contemporary

Standard Features

- Individual brick size 6"x24" (15x61 cm).
- Up to 96" (244 cm) Max height.
- Back Wall: 60" (152 cm) Max width.
- Side Walls: Up to 36" (91 cm) Max width.
- Gloss & Matte Finish.
- 1/4" Nominal thickness.

Optional Accesories

- 2"x1 1/4" x up to 96" Trim Strips.
- 2"x3/4" x up to 96" Trim Strips.
- Soap Dishes.
- Shampoo Shelves.
- Foot Rests.
- Accesorie ledge.

Technical Data



Note: Dimensions may vary +/- 1/4"



■ Vertical Vision

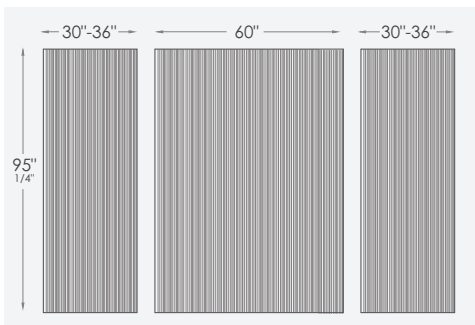
Standard Features

- Up to 96" (244 cm) Max height.
- Back Wall: 60" (152 cm) Max width.
- Side Walls: Up to 36" (91 cm) Max width.
- 1/4" Nominal thickness.
- Matte Finish.

Optional Accesories

- 2"x1 1/4" x up to 96" Trim Strips.
- 2"x3/4" x up to 96" Trim Strips.
- Soap Dishes.
- Shampoo Shelves.
- Foot Rests.
- Accesorie ledge.

Technical Data



Note: Dimensions may vary +/- 1/4"



Trendy

■ 6" x 24" Stacked

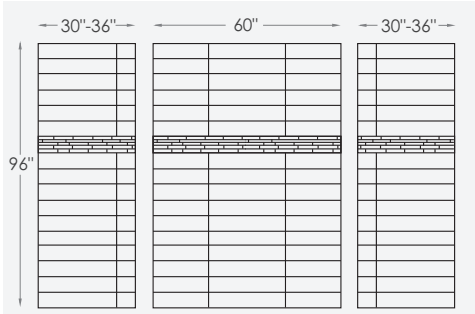
Standard Features

- Individual brick size 6"x24" (15x61 cm).
- Stacked detail.
- Up to 96" (244 cm) Max height.
- Back Wall: 60" (152cm) Max width.
- Side Walls: Up to 36" (91cm) Max width.
- 1/4" Nominal thickness.
- Matte Finish.

Optional Accessories

- 2"x1 1/4" x up to 96" Trim Strips.
- 2"x3/4" x up to 96" Trim Strips.
- Soap Dishes.
- Shampoo Shelves.
- Foot Rests.
- Accesorie ledge.

Technical Data



Note: Dimensions may vary +/- 1/4



■ 12" x 24" Tile Smoth

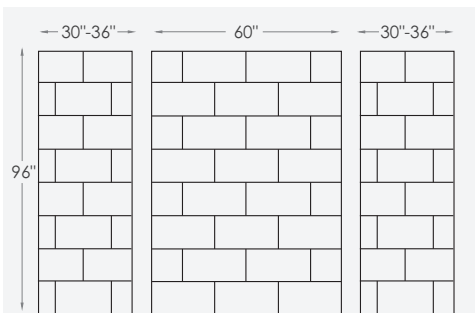
Standard Features

- Simulated tile pattern.
- Up to 96" (244 cm) Max height.
- Back Wall: 60" (152cm) Max width.
- Side Walls: Up to 36"(91cm) Max width.
- 1/4" Nominal thickness.
- Gloss & Matte Finish.

Optional Accessories

- 2"x1 1/4" x up to 96" Trim Strips.
- 2"x3/4" x up to 96" Trim Strips.
- Soap Dishes.
- Shampoo Shelves.
- Foot Rests.
- Accesorie ledge.

Technical Data



Note: Dimensions may vary +/- 1/4



Trendy

■ 4" x 15" Confetti

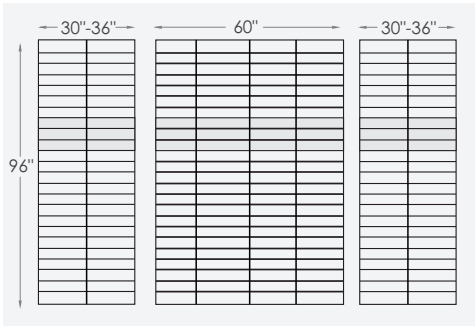
Standard Features

- Individual brick size 4"x15" (10x38 cm)
- Up to 96" (244 cm) Max height.
- Back Wall: 60" (152 cm) Max width.
- Side Walls: Up to 36"(91 cm) Max width.
- ¼ Nominal thickness.
- Gloss & Matte Finish.

Optional Accessories

- 2"x1¼" x up to 96" Trim Strips.
- 2"x¾" x up to 96" Trim Strips.
- Soap Dishes.
- Shampoo Shelves.
- Foot Rests.
- Accesorie ledge.

Technical Data



Note: Dimensions may vary +/- ¼



■ 6" x 24" Vision

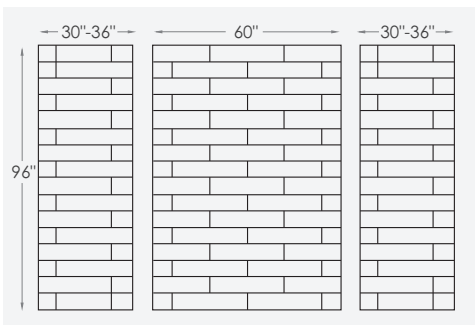
Standard Features

- Individual brick size 6"x 24" (15x61 cm).
- Up to 96" (244 cm) Max height.
- Back Wall: 60" (152 cm) Max width.
- Side Walls: Up to 36" (91cm) Max width.
- ¼" Nominal thickness.
- Matte Finish.

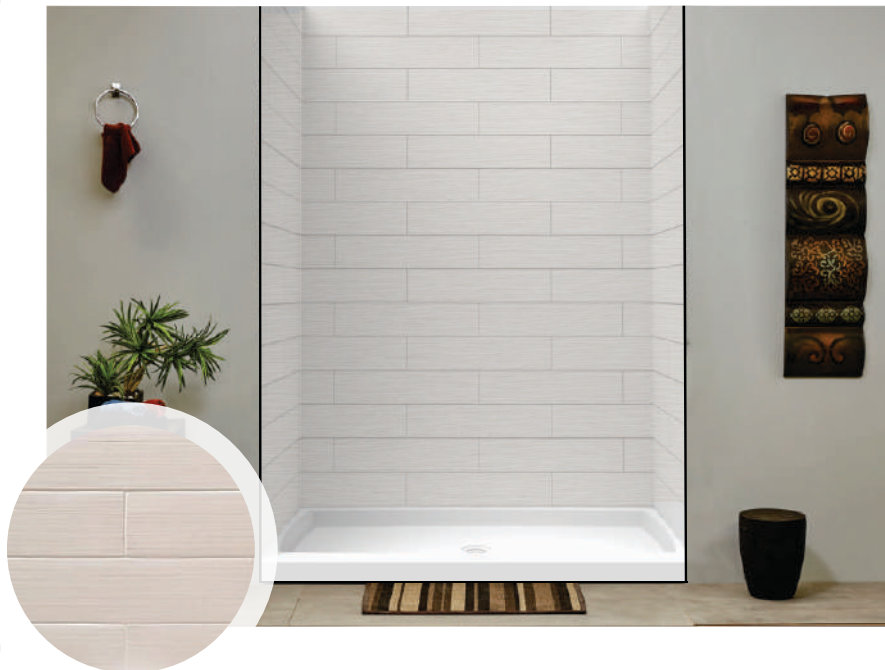
Optional Accessories

- 2"x1¼" x up to 96" Trim Strips.
- 2"x¾" x up to 96" Trim Strips.
- Soap Dishes.
- Shampoo Shelves.
- Foot Rests.
- Accesorie ledge.

Technical Data



Note: Dimensions may vary +/- ¼



Latest Designs

6" x 24" Linear listello

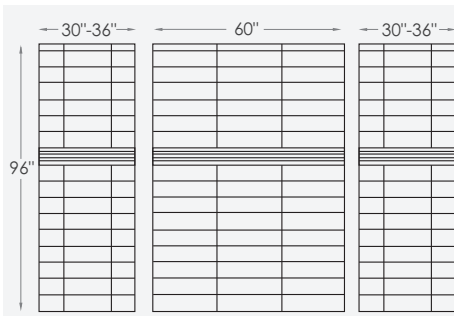
Standard Features

- Individual "tile" size 6"x24" (25x61 cm).
- Up to 96" (244 cm) Max height.
- Back Wall: 60" (152 cm) Max width.
- Side Walls: 36"(91 cm) Max width.
- 1/4" Nominal thickness .
- Matte Finish.

Optional Accesories

- 2"x1 1/4" x up to 96" Trim Strips.
- 2"x3/4" x up to 96" Trim Strips.
- Soap Dishes.
- Shampoo Shelves.
- Foot Rests.
- Accesorie ledge.

Technical Data



Note: Dimensions may vary +/- 1/4"



Chevron - H4

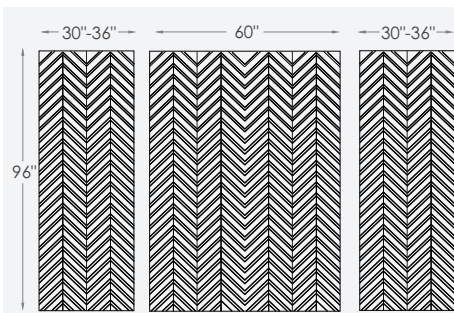
Standard Features

- New Chevron H4 design.
- Up to 96" (244 cm) Max height.
- Back Wall: 60" (152 cm) Max width.
- Side Walls: Up to 36" (91 cm) Max.
- 1/4 Nominal thickness.
- Matte Finish.

Optional Accesories

- 2"x1 1/4" x up to 96" Trim Strips.
- 2"x3/4" x up to 96" Trim Strips.
- Soap Dishes.
- Shampoo Shelves.
- Foot Rests.
- Accesorie ledge.

Technical Data



Note: Dimensions may vary +/- 1/4"



Latest Designs

■ Dune

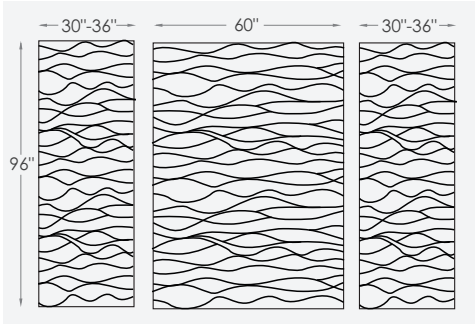
Standard Features

- Upto 96" (244 cm) Max height.
- Back Wall: 60" (152 cm) Max width.
- Side Walls: Up to 36" (91 cm) Max width.
- 1/4 Nominal thickness .
- Gloss & matte Finish.

Optional Accesories

- 2"x1 1/4" x up to 96" Trim Strips.
- 2"x3/4" x up to 96" Trim Strips.
- Soap Dishes.
- Shampoo Shelves.
- Foot Rests.
- Accesorie ledge.

Technical Data



Note: Dimensions may vary +/- 1/4



■ Chevron - FFI

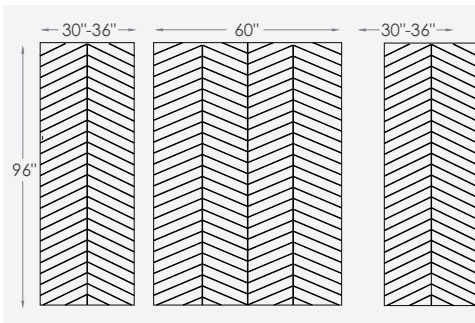
Standard Features

- New Chevron for FFI design.
- Up to 96" (244 cm) Max height.
- Back Wall: 60" (152 cm) Max width.
- Side Walls: Up to 36" (91cm) Max width.
- 1/4 Nominal thickness.
- Matte Finish.

Optional Accesories

- 2"x1 1/4" x up to 96" Trim Strips.
- 2"x3/4" x up to 96" Trim Strips.
- Soap Dishes.
- Shampoo Shelves.
- Foot Rests.
- Accesorie ledge.

Technical Data



Note: Dimensions may vary +/- 1/4



Latest Designs

■ 4" x 8"

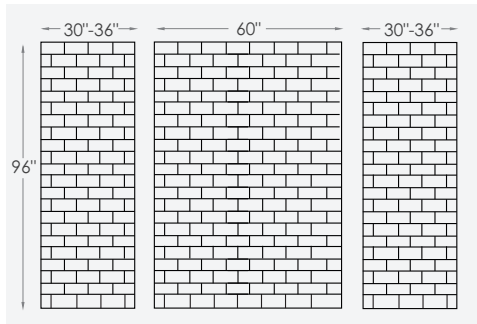
Standard Features

- New 4x8 design.
- Upto 96" (244 cm) Max height.
- Back Wall: 60" (152 cm) Max width.
- Side Walls: Up to 36"(91 cm) Max width.
- ¼ Nominal thickness.
- Gloss & matte Finish.

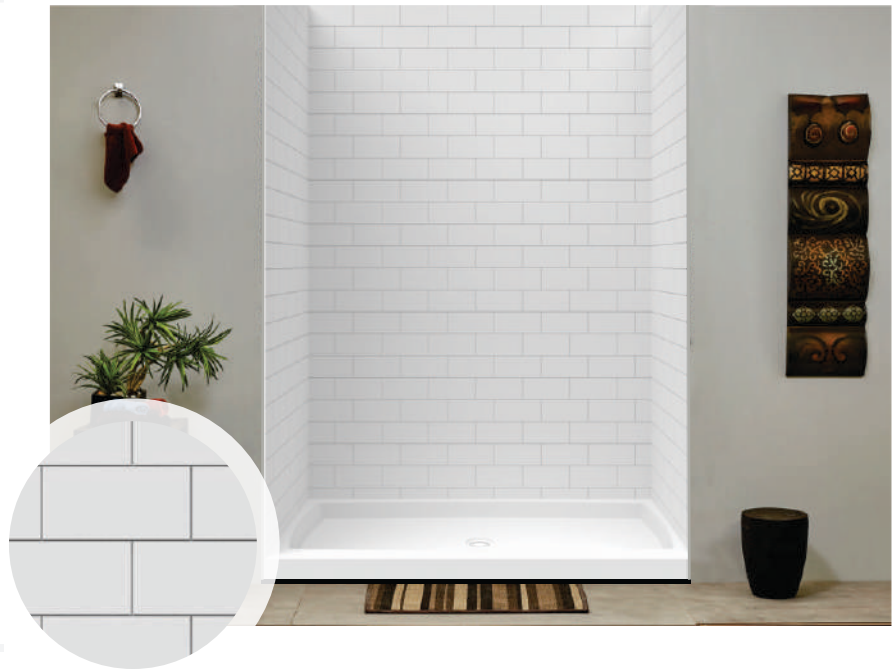
Optional Accesories

- 2"x1¼" x up to 96" Trim Strips.
- 2"x¾" x up to 96" Trim Strips.
- Soap Dishes.
- Shampoo Shelves.
- Foot Rests.
- Accesorie ledge.

Technical Data



Note: Dimensions may vary +/- ¼



■ Theory

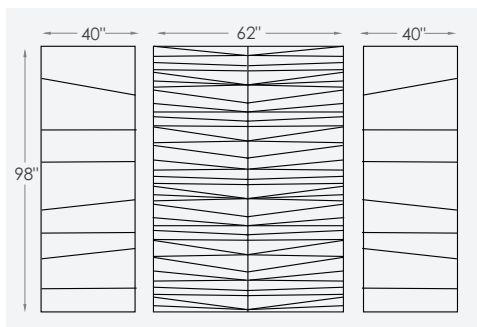
Standard Features

- Upto 98" (249 cm) Max height.
- Back Wall: 62" (158 cm) Max width.
- Side Walls: Up to 40" (101 cm) Max width.
- ¼" Nominal thickness .
- Gloss & Matte finish.

Optional Accesories

- 2"x1¼" x up to 96" Trim Strips.
- 2"x¾" x up to 96" Trim Strips.
- Soap Dishes.
- Shampoo Shelves.
- Foot Rests.
- Accesorie ledge.

Technical Data



Note: Dimensions may vary +/- ¼



Latest Designs

■ 10" x 20" Vertical

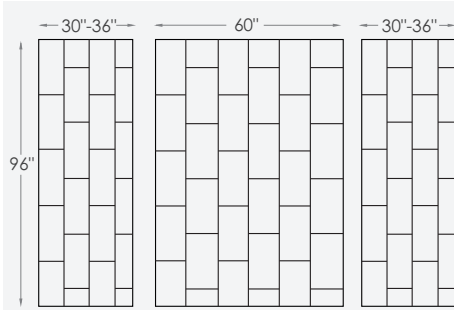
Standard Features

- New 10"x20" Vertical design.
- Up to 96" (244 cm) Max height.
- Back Wall: 60" (152 cm) Max width.
- Side Walls: Up to 36" (91 cm) Max width.
- 1/4" Nominal thickness .
- Gloss & matte Finish .

Optional Accesories

- 2"x1 1/4" x up to 96" Trim Strips.
- 2"x3/4" x up to 96" Trim Strips.
- Soap Dishes.
- Shampoo Shelves.
- Foot Rests.
- Accesorie ledge.

Technical Data



Note: Dimensions may vary +/- 1/4



■ Interval

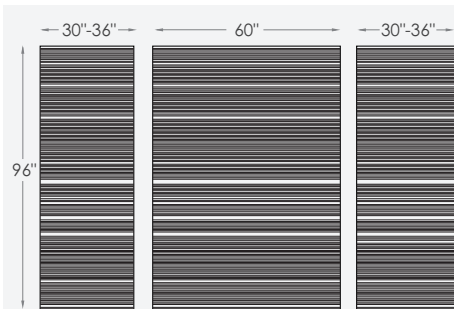
Standard Features

- New Interval design .
- Up to 96" (244 cm) Max height.
- Back Wall: 60" (152 cm) Max width.
- Side Walls: Up to 36" (91 cm) Max width.
- 1/4" Nominal thickness.
- Gloss & matte Finish.

Optional Accesories

- 2"x1 1/4" x up to 96" Trim Strips.
- 2"x3/4" x up to 96" Trim Strips.
- Soap Dishes.
- Shampoo Shelves.
- Foot Rests.
- Accesorie ledge.

Technical Data



Note: Dimensions may vary +/- 1/4



Latest Designs

Stars

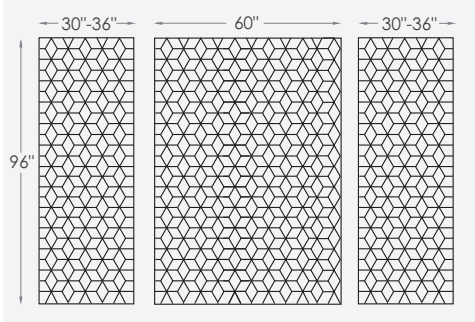
Standard Features

- New Stars design.
- Up to 96" (244 cm) Max height.
- Back Wall: 60" (152 cm) Max width.
- Side Walls: Up to 36" (91 cm) Max width.
- 1/4" Nominal thickness .
- Gloss & matte Finish .

Optional Accesories

- 2"x1 1/4" x up to 96" Trim Strips.
- 2"x3/4" x up to 96" Trim Strips.
- Soap Dishes.
- Shampoo Shelves.
- Foot Rests.
- Accesorie ledge.

Technical Data



Note: Dimensions may vary +/- 1/4



Ventana

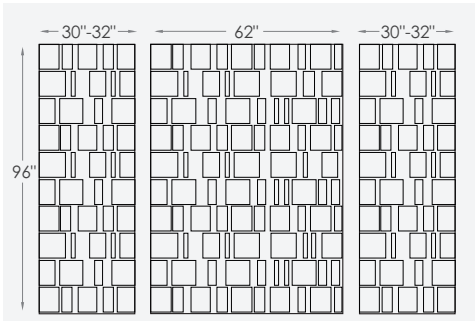
Standard Features

- Upto 96" (244 cm) Max height.
- Back Wall: 62" (157 cm) Max width.
- Side Walls: Up to 32" (81 cm) Max width.
- 1/4" Nominal thickness.
- Gloss & matte Finish.

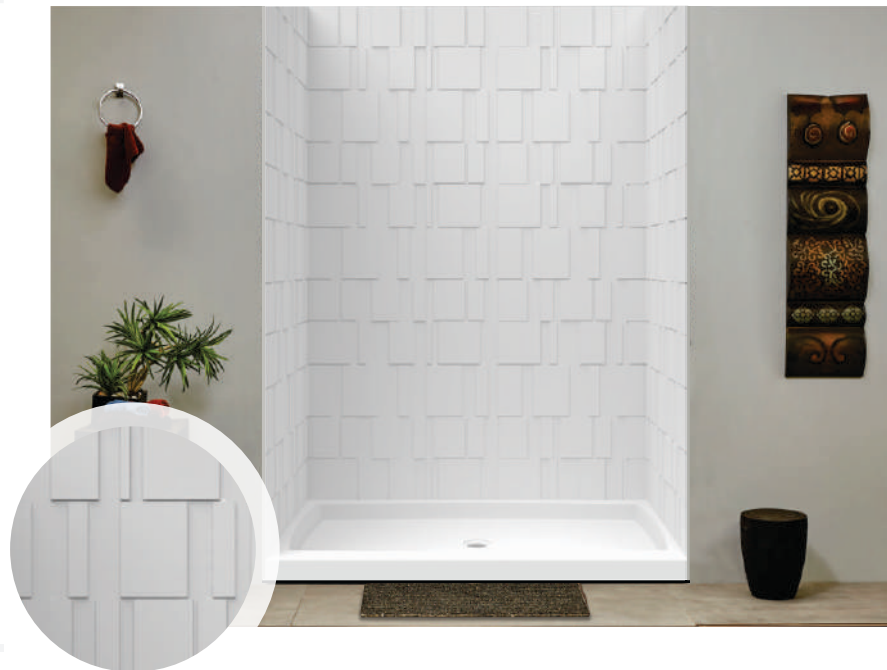
Optional Accesories

- 2"x1 1/4" x up to 96" Trim Strips.
- 2"x3/4" x up to 96" Trim Strips.
- Soap Dishes.
- Shampoo Shelves.
- Foot Rests.
- Accesorie ledge.

Technical Data



Note: Dimensions may vary +/- 1/4



■ 3" x 6" Vision

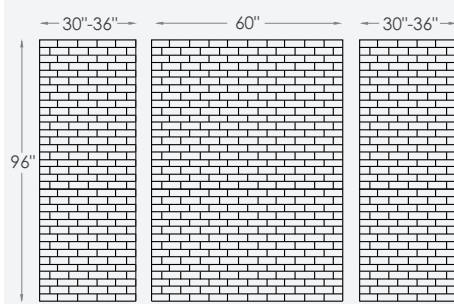
Standard Features

- Individual "tile" size 3"x6" (7.7 x 15.3cm).
- Up to 96" (244 cm) Max height.
- Back Wall: 60" (152 cm) Max width.
- Side Walls: Up to 36" (91 cm) Max width.
- ¼" Nominal thickness .
- Matte Finish.

Optional Accesories

- 2"x1¼" x up to 96" Trim Strips.
- 2"x¾" x up to 96" Trim Strips.
- Soap Dishes.
- Shampoo Shelves.
- Foot Rests.
- Accesorie ledge.

Technical Data



Note: Dimensions may vary +/- ¼



■ Travertine Tile - Aragon

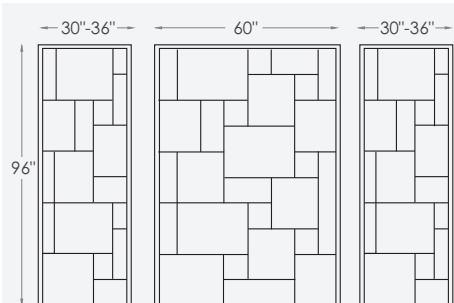
Standard Features

- Up to 96" (244 cm) Max height.
- Back Wall: 60" (152 cm) Max width.
- Side Walls: Up to 36" (91 cm) Max width.
- ¼" Nominal thickness.
- Matte Finish.

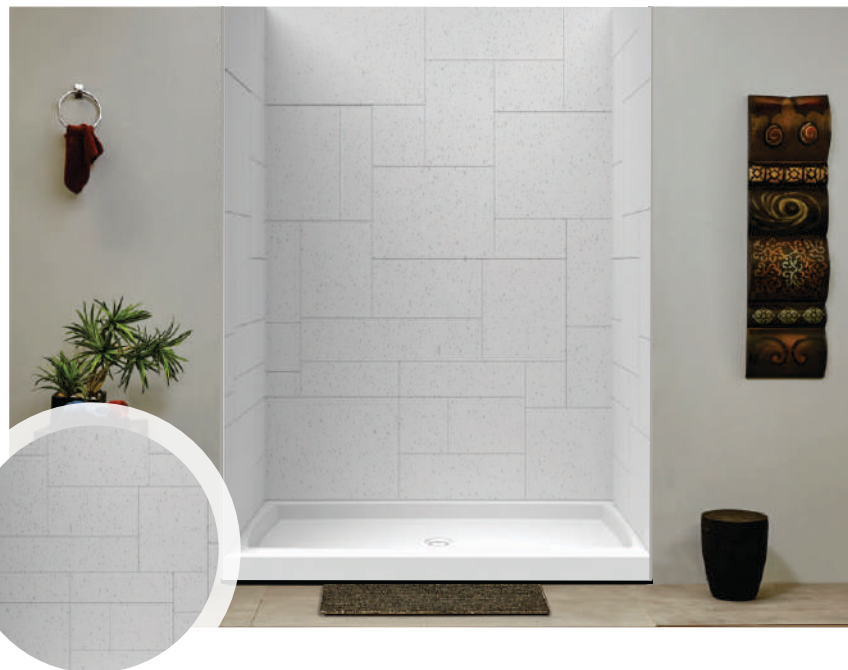
Optional Accesories

- 2"x1¼" x up to 96" Trim Strips.
- 2"x¾" x up to 96" Trim Strips.
- Soap Dishes.
- Shampoo Shelves.
- Foot Rests.
- Accesorie ledge.

Technical Data



Note: Dimensions may vary +/- ¼



■ 3" x 6" Subway

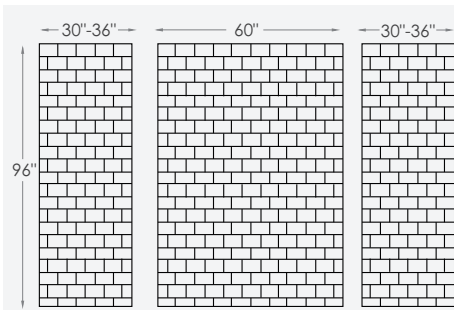
Standard Features

- Individual "tile" size ,3"x6" (7.7 x 15.3cm).
- Up to 96" (244 cm) Max height.
- Back Wall: 60" (152 cm) Max width.
- Side Walls: Up to 36"(91 cm) Max width.
- ¼" Nominal thickness.
- Gloss & Matte finish.

Optional Accessories

- 2"x1¼" x up to 96" Trim Strips.
- 2"x¾" x up to 96" Trim Strips.
- Soap Dishes.
- Shampoo Shelves.
- Foot Rests.
- Accesorie ledge.

Technical Data



Note: Dimensions may vary +/- ¼



■ 13" x 20" Tile Slab

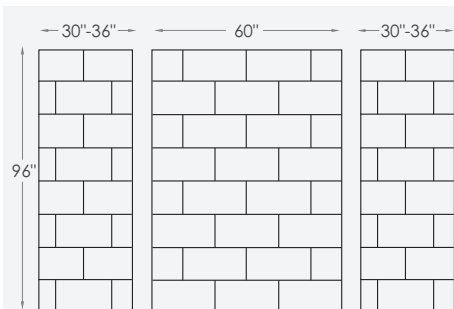
Standard Features

- Up to 96" (244 cm) Max height.
- Back Wall: 60" (152cm) Max width.
- Side Walls: Up to 36" (91cm) Max width.
- ¼" Nominal thickness.
- Matte Finish.

Optional Accessories

- 2"x1¼" x up to 96" Trim Strips.
- 2"x¾" x up to 96" Trim Strips.
- Soap Dishes.
- Shampoo Shelves.
- Foot Rests.
- Accesorie ledge.

Technical Data



Note: Dimensions may vary +/- ¼



■ Smoth

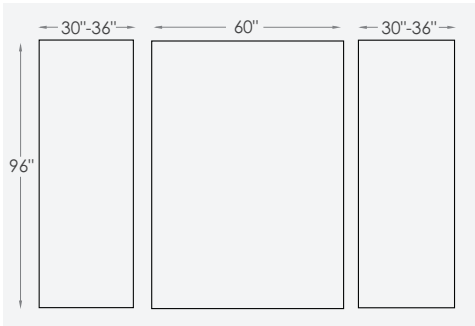
Standard Features

- Up to 96" (244 cm) Max height.
- Back Wall: 60" (152 cm) Max width.
- Side Walls: Up to 36" (91 cm) Max width.
- 1/4" Nominal thickness .
- Gloss & matte Finish .

Optional Accesories

- 2"x1 1/4" x up to 96" Trim Strips.
- 2"x3/4" x up to 96" Trim Strips.
- Soap Dishes.
- Shampoo Shelves.
- Foot Rests.
- Accesorie ledge.

Technical Data



Note: Dimensions may vary +/- 1/4



■ 6" x 10" Tile Smoth

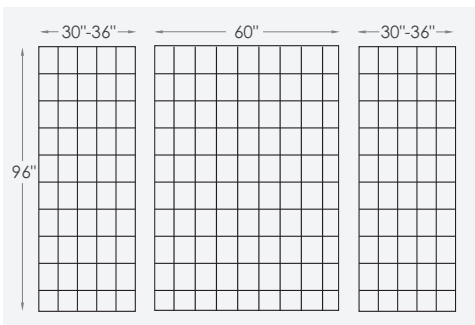
Standard Features

- Brick size 6"x10" 15.3 x 25.5 cm).
- Up to 96" (244 cm) Max height.
- Back Wall: 60" (152 cm) Max width.
- Side Walls: Up to 36"(91 cm) Max width.
- 1/4" Nominal thickness.
- Matte finish. .

Optional Accesories

- 2"x1 1/4" x up to 96" Trim Strips.
- 2"x3/4" x up to 96" Trim Strips.
- Soap Dishes.
- Shampoo Shelves.
- Foot Rests.
- Accesorie ledge.

Technical Data



Note: Dimensions may vary +/- 1/4



■ 8" x 8" Smoth Tile

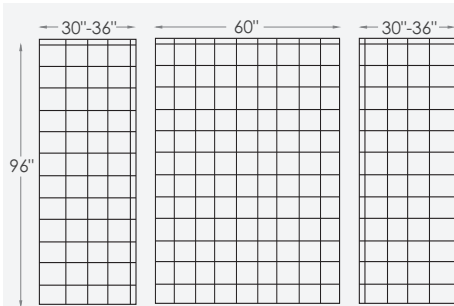
Standard Features

- Brick size 8" x 8" (20.4 x 20.4cm).
- Up to 96" (244 cm) Max height.
- Back Wall: 60" (152 cm) Max width.
- Side Walls: Up to 36" (91 cm) Max width.
- ¼" Nominal thickness .
- Gloss & matte Finish .

Optional Accesories

- 2"x1¼" x up to 96" Trim Strips.
- 2"x¾" x up to 96" Trim Strips.
- Soap Dishes.
- Shampoo Shelves.
- Foot Rests.
- Accesorie ledge.

Technical Data



Note: Dimensions may vary +/- ¼



■ 8" x 10" Tile Smoth

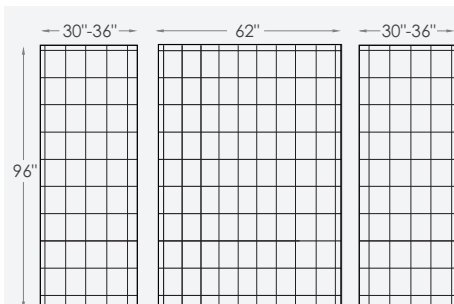
Standard Features

- Individual "tile" size ,8"x10" (20.4 x 25.4cm).
- Up to 96" (244 cm) Max height.
- Back Wall: 60" (152 cm) Max width.
- Side Walls: Up to 36"(91 cm) Max width.
- ¼" Nominal thickness.
- Gloss & matte Finish.

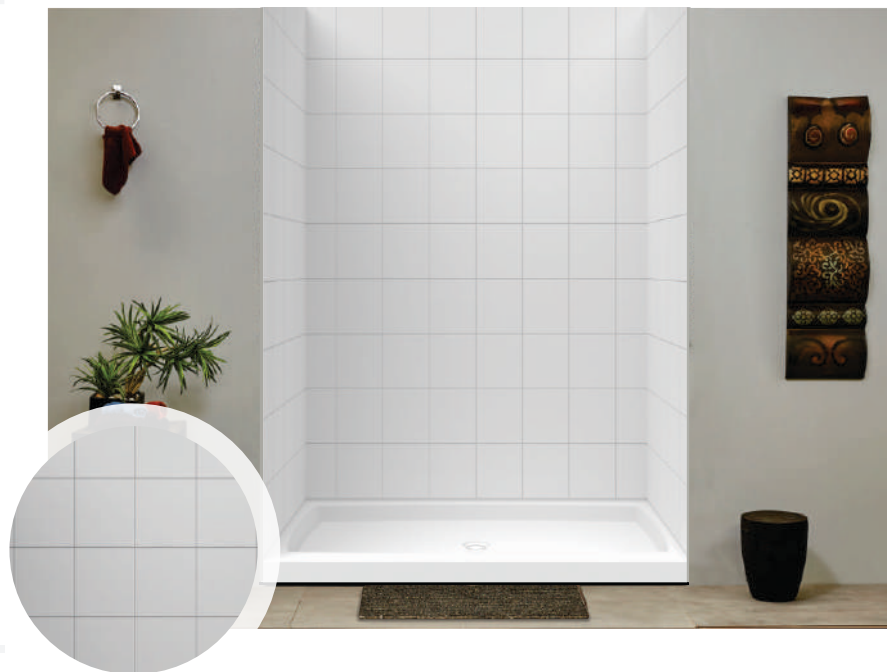
Optional Accesories

- 2"x1¼" x up to 96" Trim Strips.
- 2"x¾" x up to 96" Trim Strips.
- Soap Dishes.
- Shampoo Shelves.
- Foot Rests.
- Accesorie ledge.

Technical Data



Note: Dimensions may vary +/- ¼



■ Diamond

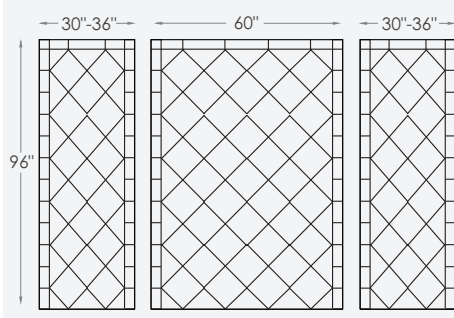
Standard Features

- Up to 96" (244 cm) Max height.
- Back Wall: 60" (152 cm) Max width.
- Side Walls: Up to 36" (91 cm) Max width.
- 1/4" Nominal thickness .
- Gloss & matte Finish .

Optional Accesories

- 2"x1 1/4" x up to 96" Trim Strips.
- 2"x3/4" x up to 96" Trim Strips.
- Soap Dishes.
- Shampoo Shelves.
- Foot Rests.
- Accesorie ledge.

Technical Data



Note: Dimensions may vary +/- 1/4



■ 12" x 12" Tile Colonial

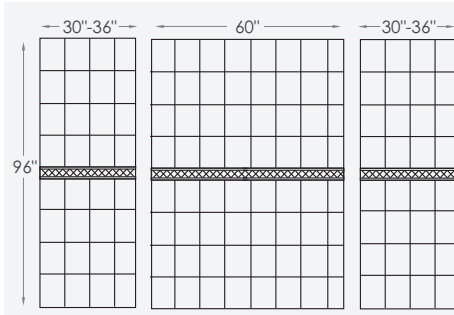
Standard Features

- Up to 96" (244 cm) Max height.
- Back Wall: 60" (152 cm) Max width.
- Side Walls: Up to 36" (91 cm) Max width.
- 1/4" Nominal thickness.
- Gloss & Matte finish.

Optional Accesories

- 2"x1 1/4" x up to 96" Trim Strips.
- 2"x3/4" x up to 96" Trim Strips.
- Soap Dishes.
- Shampoo Shelves.
- Foot Rests.
- Accesorie ledge.

Technical Data



Note: Dimensions may vary +/- 1/4



Shower Walls

Engineered Stone

Shower Bases



■ 30" x 60"

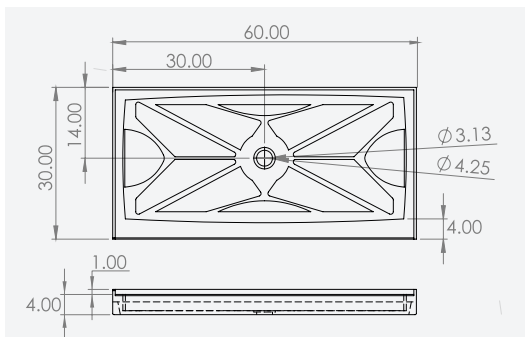
Standard Features

- Solid one-piece construction .
- Pre leveled rests on subfloor.
- Mold and mildew resistant .
- Bacteria resistant .
- Textured non-slip finish.
- Abrasion resistan gelcoat surface .

Specifications

- Size : 30" x 60" size.
- Drain : Center 14"-30".

Technical Data



Note: Dimensions may vary +/- 1/4



■ 32" x 60"

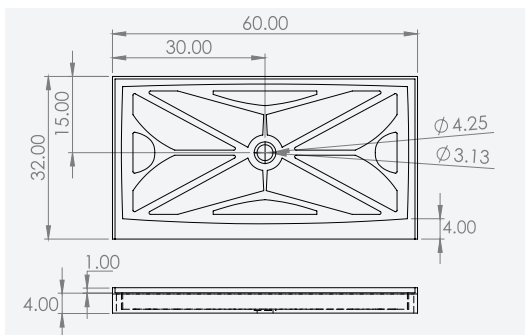
Standard Features

- Solid one-piece construction .
- Pre leveled rests on subfloor.
- Mold and mildew resistant .
- Bacteria resistant .
- Textured non-slip finish.
- Abrasion resistan gelcoat surface .

Specifications

- Size : 32" x 60" size.
- Drain : Center 15"-30".

Technical Data



Note: Dimensions may vary +/- 1/4



■ 34" x 60"

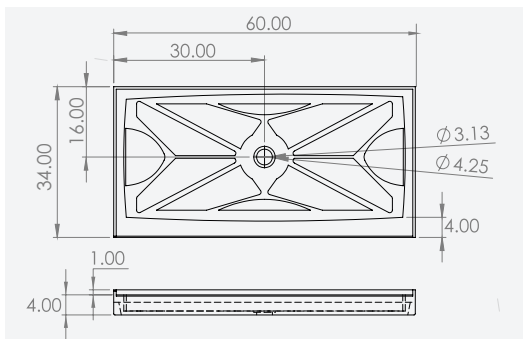
Standard Features

- Solid one-piece construction.
- Pre leveled rests on subfloor.
- Mold and mildew resistant.
- Bacteria resistant.
- Textured non-slip finish.
- Abrasion resistant gelcoat surface.

Specifications

- Size : 34" x 60" size.
- Drain: Center 16"-30".

Technical Data



Note: Dimensions may vary +/- 1/4



■ 36" x 60"

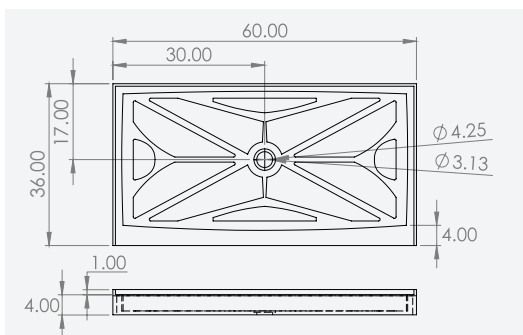
Standard Features

- Solid one-piece construction.
- Pre leveled rests on subfloor.
- Mold and mildew resistant.
- Bacteria resistant.
- Textured non-slip finish.
- Abrasion resistant gelcoat surface.

Specifications

- Size : 36" x 60" size.
- Drain: Center 17"-30".

Technical Data



Note: Dimensions may vary +/- 1/4



■ 36" x 36"

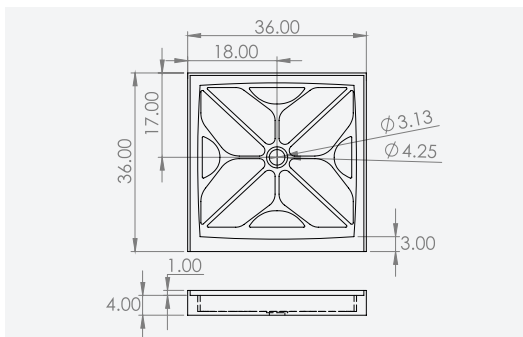
Standard Features

- Solid one-piece construction.
- Pre leveled rests on subfloor.
- Mold and mildew resistant.
- Bacteria resistant.
- Textured non-slip finish.
- Abrasion resistant gelcoat surface.

Specifications

- Size: 36" x 36" size.
- Drain: Center 17"- 18".

Technical Data



Note: Dimensions may vary +/- 1/4



■ 34" x 72"

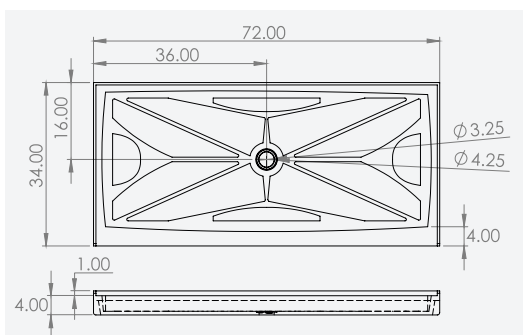
Standard Features

- Solid one-piece construction.
- Pre leveled rests on subfloor.
- Mold and mildew resistant.
- Bacteria resistant.
- Textured non-slip finish.
- Abrasion resistant gelcoat surface.

Specifications

- Size: 34" x 72" size.
- Drain: Center 16"- 36".

Technical Data



Note: Dimensions may vary +/- 1/4



■ 30" x 60" Reversible Shower Base

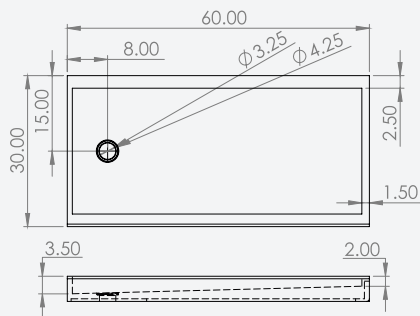
Standard Features

- Available in left hand and right hand version.
- Designer for tub replacements.
- 2" Treshold ond each side.
- Solid one-piece construction.
- Pre leveled, rest on subfloor.
- Mould and mildew resistant.
- "Grout free" and non-porous.
- Stain resistant and easy to clean.
- Waterproof and leakproof.

Specifications

- Size: 30" x 60".
- Offset Drain.

Technical Data



Note: Dimensions may vary +/- 1/4



■ 32" x 60" Reversible Shower Base

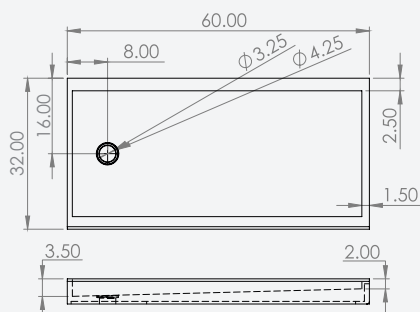
Standard Features

- Available in left hand and right hand version.
- Designer for tub replacements.
- 2" Treshold ond each side.
- Solid one-piece construction.
- Pre leveled, rest on subfloor.
- Mould and mildew resistant.
- "Grout free" and non-porous.
- Stain resistant and easy to clean.
- Waterproof and leakproof.

Specifications

- Size: 32" x 60".
- Offset Drain.

Technical Data



Note: Dimensions may vary +/- 1/4



■ 30" x 60" Reversible Trench Drain Shower Pan 3" Treshold

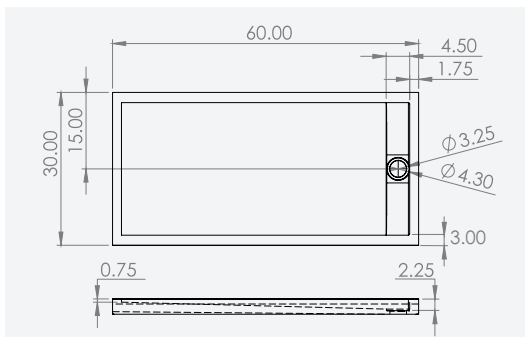
Standard Features

- Solid one-piece construction .
- Pre leveled rests on subfloor.
- Mold and mildew resistant .
- Bacteria resistant .
- Textured non-slip finish.
- Abrasion resistan gelcoat surface.
- Stainlees steel trench drain cover.

Specifications

- Size : 30" x 60"size.
- Drain: Center 15"-3 1/2".
- Trench: 4 1/2" width.
- Treshold 2"/3".

Technical Data



Note: Dimensions may vary +/- 1/4



■ Curved Shower Pan

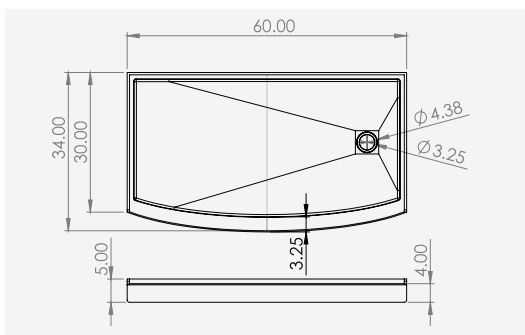
Standard Features

- Solid one-piece construction .
- Pre leveled rests on subfloor.
- Mold and mildew resistant .
- Bacteria resistant .
- Textured non-slip finish.
- Abrasion resistan gelcoat surface.

Specifications

- Size: 34" x 60".
- Offset Drain.

Technical Data



Note: Dimensions may vary +/- 1/4



■ 36" x 60" Off set Trench Drain Shower Pan

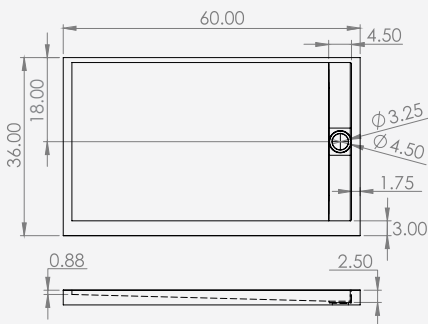
Standard Features

- Solid one-piece construction .
- Pre leveled rests on subfloor.
- Mold and mildew resistant .
- Bacteria resistant .
- Textured non-slip finish.
- Abrasion resistan gelcoat surface.
- Stainless steel trench drain cover.
- Trench cover no Included.

Specifications

- Size : 36" x 60" size.
- Drain: Center 18"-3 1/2".
- Trench: 4 1/2" widht.

Technical Data



Note: Dimensions may vary +/- 1/4



■ 34" x 72" Off set Trench Drain Shower Pan

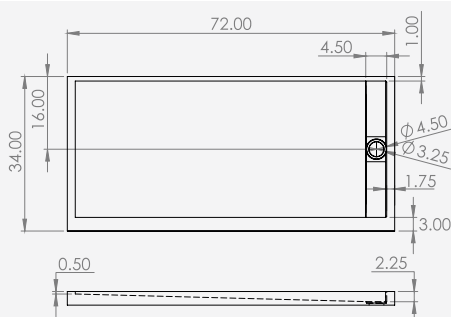
Standard Features

- Solid one-piece construction .
- Pre leveled rests on subfloor.
- Mold and mildew resistant .
- Bacteria resistant .
- Textured non-slip finish.
- Abrasion resistan gelcoat surface.
- Stainless steel trench drain cover.
- Trench cover no Included.

Specifications

- Size : 34" x 72" size.
- Drain: Center 16"-3 1/2".
- Trench: 4 1/2" widht.

Technical Data



Note: Dimensions may vary +/- 1/4



■ 48" x 36" Shower base

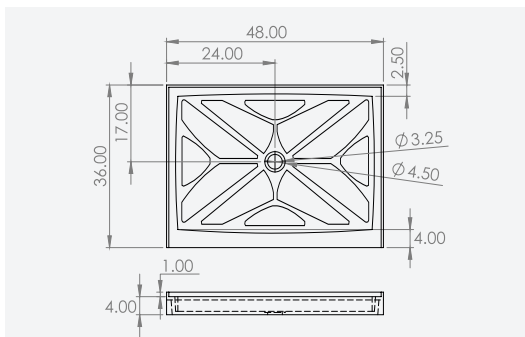
Standard Features

- Single piece cast polymer (Cultured Marble).
- Pre leveled rests on subfloor.
- Mold and mildew resistant.
- Bacterian resistant.
- Textured non-slip finish.
- Abrasion resistan gelcoat surface .

Specifications

- Size : 48" x 36" size.
- Drain: Center 24"- 17"

Technical Data



Note: Dimensions may vary +/- 1/4



■ 48" x 60"

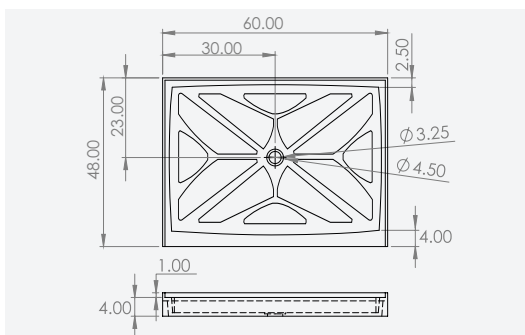
Standard Features

- Solid one-piece construction .
- Pre leveled rests on subfloor.
- Mold and mildew resistant.
- Bacterian resistant.
- Textured non-slip finish.
- Abrasion resistan gelcoat surface .

Specifications

- Size: 48" x 60" size.
- Drain: Center 23"- 30"

Technical Data



Note: Dimensions may vary +/- 1/4



■ 36" x 42" Center Drain

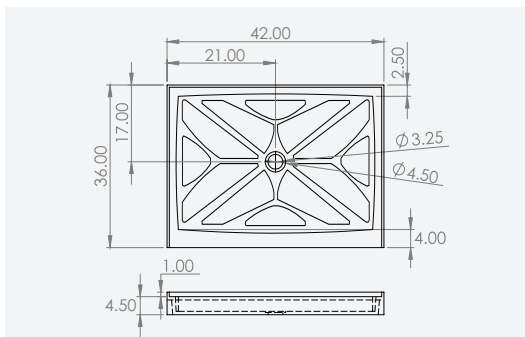
Standard Features

- Solid one-piece construction.
- Pre leveled rests on subfloor.
- Will not mold and mildew.
- Extremely sanitary
- Textured non-slip finish.
- Abrasion resistant gelcoat surface.

Specifications

- Size : 36" x 42" size.
- Drain: Center 17"- 21"

Technical Data



Note: Dimensions may vary +/- 1/4



■ 36" x 60" Corner drain

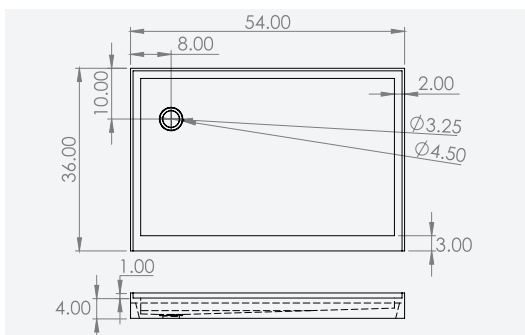
Standard Features

- Solid one-piece construction.
- Pre leveled rests on subfloor.
- Will not mold and mildew.
- Extremely sanitary.
- Textured non-slip finish.
- Abrasion resistant gelcoat surface.

Specifications

- Size : 36" x 60".
- Drain: Corner Drain

Technical Data



Note: Dimensions may vary +/- 1/4



■ 36" x 36" Neo Angle

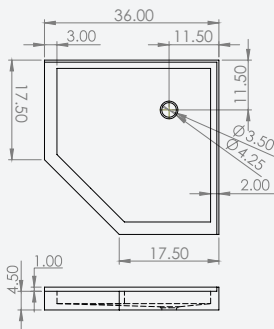
Standard Features

- Solid one-piece construction.
- Pre leveled rests on subfloor.
- Mold and mildew resistant.
- Bacterian resistant.
- Textured non-slip finish.
- Abrasion resistan gelcoat surface.

Specifications

- Size: 36" x 36" size.
- Drain: Corner 11.5".

Technical Data



Note: Dimensions may vary +/- 1/4



■ 42" x 42" Neo Angle

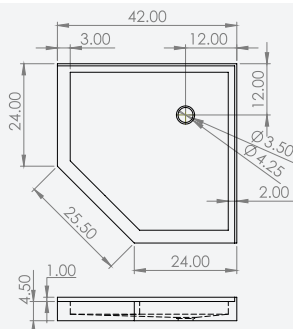
Standard Features

- Solid one-piece construction.
- Pre leveled rests on subfloor.
- Mold and mildew resistant.
- Bacterian resistant.
- Textured non-slip finish.
- Abrasion resistan gelcoat surface.

Specifications

- Size: 42" x 42" size.
- Drain: Corner 12".

Technical Data



Note: Dimensions may vary +/- 1/4



■ 36" x 54" Standard rectangle shower pan off-set drain.

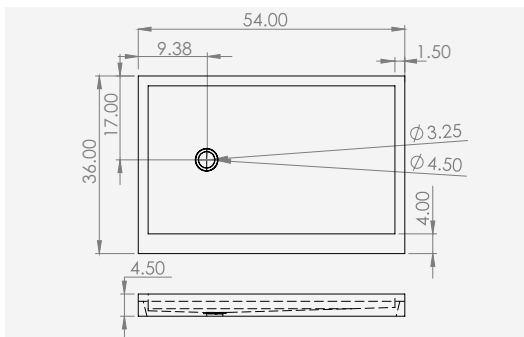
Standard Features

- Solid one –piece construction .
- Pre leveled rests on subfloor.
- Mold and mildew resistant .
- Bacteria resistant .
- Textured non -slip finish.
- Abrasion resistan gelcoat surface .

Specifications

- Size : 36" x 54" size.
- Drain: 9" Off set drain.

Technical Data



Note: Dimensions may vary +/- 1/4



■ 30" x 60" Shower Pan Trench Drain W/ Flange

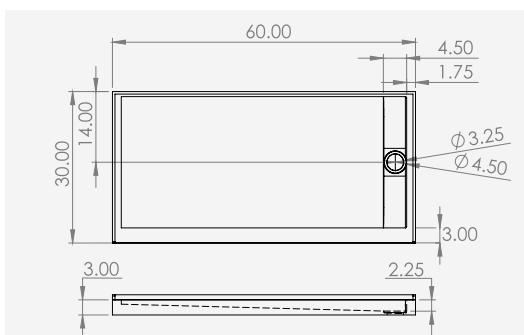
Standard Features

- Solid one –piece construction .
- Pre leveled rests on subfloor.
- Mold and mildew resistant .
- Bacteria resistant .
- Textured non -slip finish.
- Abrasion resistan gelcoat surface.
- Stainless steel trench drain cover.
- *Trench cover no Included.*

Specifications

- Size : 30" x 60" size.
- Drain: Center 15.5"- 3 1/2".
- Trench: 4 1/2" widht.

Technical Data



Note: Dimensions may vary +/- 1/4



■ 32" x 60" Reversible Trench Drain Shower Pan

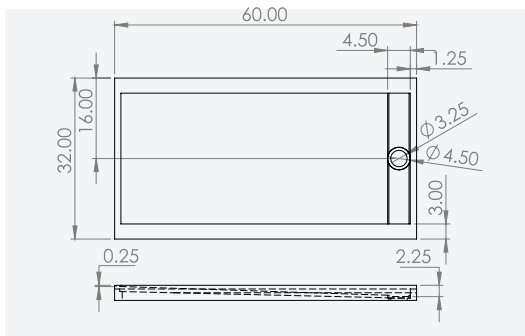
Standard Features

- Solid one-piece construction.
- Pre leveled rests on subfloor.
- Mold and mildew resistant.
- Bacteria resistant.
- Textured non-slip finish.
- Abrasion resistant gelcoat surface.
- Stainless steel trench drain cover.

Specifications

- Size: 32" x 60" size.
- Drain Center 16" - 3 1/2".
- Trench: 4 1/2" width.

Technical Data



Note: Dimensions may vary +/- 1/4



■ 34" x 60" Reversible Trench Drain Shower Pan

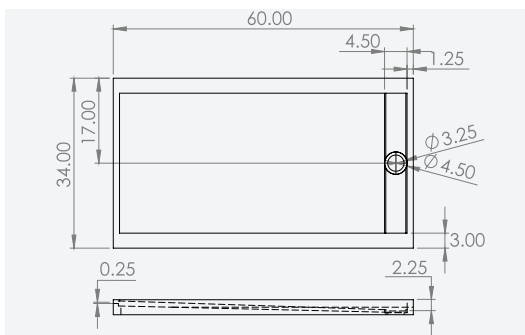
Standard Features

- Solid one-piece construction.
- Pre leveled rests on subfloor.
- Will not mold and mildew.
- Extremely sanitary.
- Textured non-slip finish.
- Abrasion resistant gelcoat surface.
- Stainless steel trench drain cover.

Specifications

- Size : 34" x 60" size.
- Drain: Center 17" - 3 1/2".
- Trench: 4 1/2" width.

Technical Data



Note: Dimensions may vary +/- 1/4



■ 30" x 60" Off set

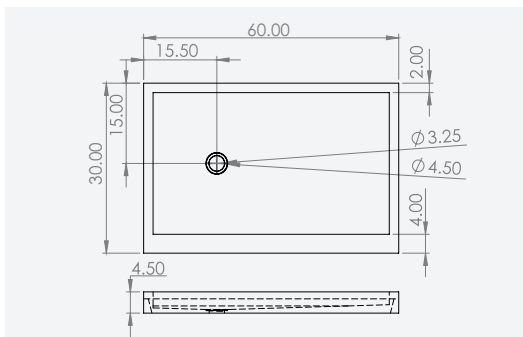
Standard Features

- Solid one-piece construction .
- Pre leveled rests on subfloor.
- Will not mold and mildew.
- Extremely sanitary.
- Textured non - slip finish.
- Abrasion resistan gelcoat surface.

Specifications

- Size : 30" x 60" size.
- Drain: Off set drain.

Technical Data



Note: Dimensions may vary +/- 1/4



■ 35 1/4" x 59" Off-set drain

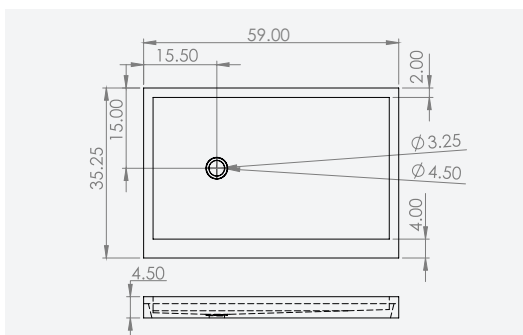
Standard Features

- Solid one-piece construction .
- Pre leveled rests on subfloor.
- Will not mold and mildew.
- Extremely sanitary.
- Textured non - slip finish.
- Abrasion resistan gelcoat surface .

Specifications

- Size : 35 1/4 " x 59"
- Drain: Off -set drain

Technical Data



Note: Dimensions may vary +/- 1/4



■ ADA Roll center drain shower pan

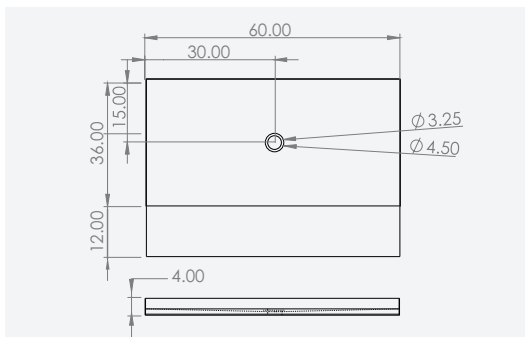
Standard Features

- Solid one-piece construction.
- Pre leveled rests on subfloor.
- Will not mold and mildew.
- Extremely sanitary.
- Textured non-slip finish.
- Abrasion resistant gelcoat surface.

Specifications

- Size : 30" x 60".
- Drain: Off set drain.

Technical Data



Note: Dimensions may vary +/- 1/4

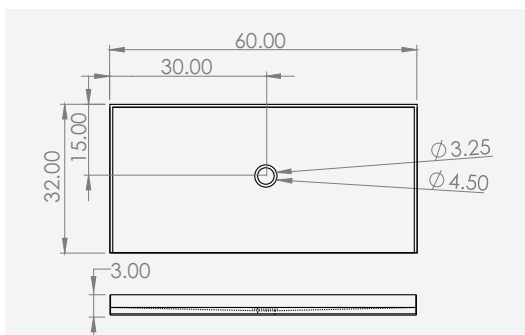


■ Custom Shower Base

Standard Features

- Solid one-piece construction including fiberglass flanges and ultra curb threshold.
- ADA- approved anti slip finish.
- Pre-sloped to the drain.
- Rests on sub floor.
- Mold mildew and bacteria resistant.
- "Grotu free" and non-porous.
- Stain resistant and easy to clean.
- Abrasion resistant gealcoat surface.
- Waterproof and leakproof.

Technical Data



Note: Dimensions may vary +/- 1/4



■ Walk-In Shower Base

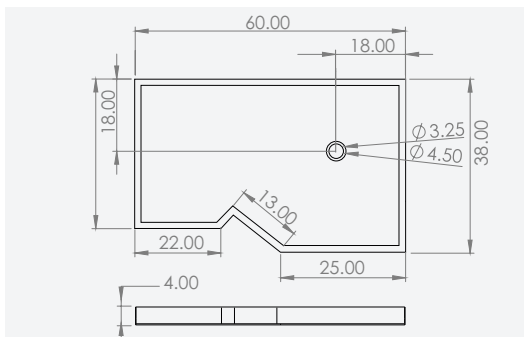
Standard Features

- Solid one-piece construction.
- Pre leveled rests on subfloor.
- Mold and mildew resistant.
- Bacteria resistant.
- Textured non-slip finish.
- Abrasion resistant gelcoat surface.
- Integral curbs.
- Fiberglass flange.

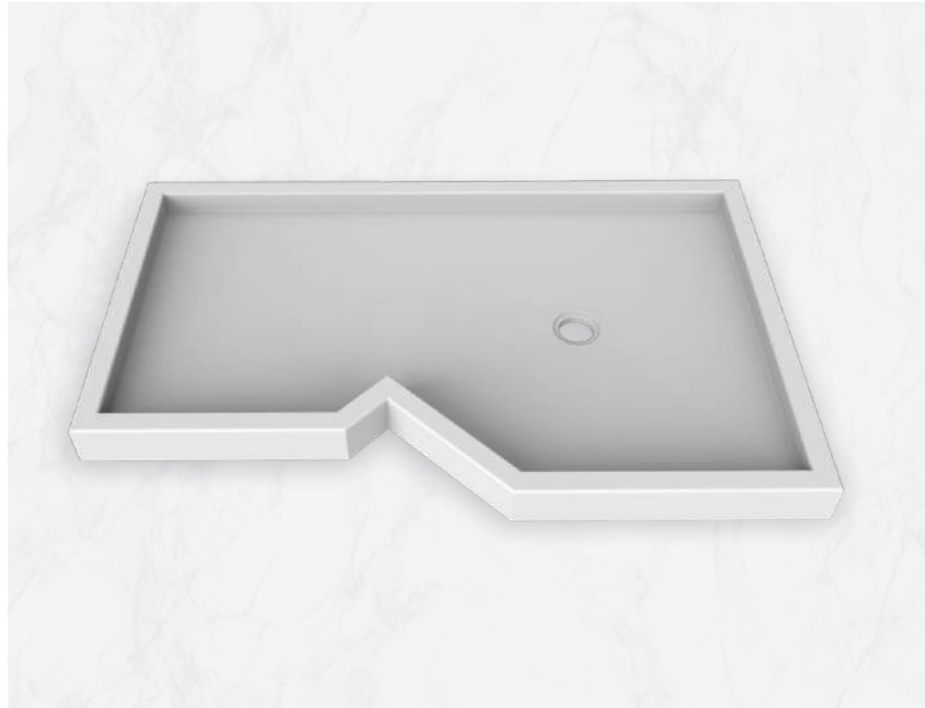
Specifications

- Size 32" x 60" x 38".

Technical Data



Note: Dimensions may vary +/- 1/4



■ 30" x 64" Barrier Free

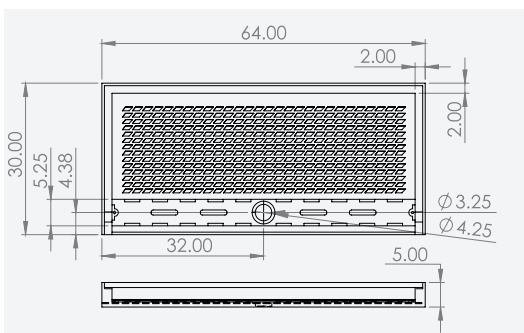
Standard Features

- Solid one-piece construction.
- Pre leveled rests on subfloor.
- Mold and mildew resistant.
- Bacteria resistant.
- Textured non-slip finish.
- Abrasion resistant gelcoat surface.
- Stainless steel trench drain cover.
- Trench cover no Included.

Specifications

- Size 30" x 64".
- Drain: Center 32"

Technical Data



Note: Dimensions may vary +/- 1/4



■ 34" x 64" Barrier Free

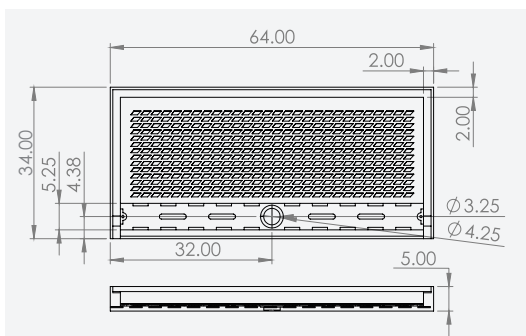
Standard Features

- Solid one-piece construction.
- Pre leveled rests on subfloor.
- Mold and mildew resistant.
- Bacteria resistant.
- Textured non-slip finish.
- Abrasion resistant gelcoat surface.
- Stainless steel trench drain cover.
- *Trench cover no Included.*

Specifications

- Size: 34" x 64"
- Drain: Center 30"-32"

Technical Data



Note: Dimensions may vary +/- 1/4



■ 36" x 64" Barrier Free

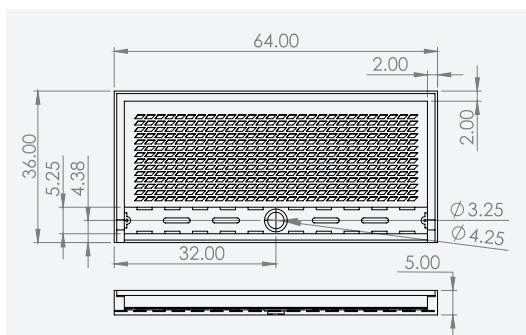
Standard Features

- Solid one-piece construction.
- Pre leveled rests on subfloor.
- Mold and mildew resistant.
- Bacteria resistant.
- Textured non-slip finish.
- Abrasion resistant gelcoat surface.
- Stainless steel trench drain cover.
- *Trench cover no Included.*

Specifications

- Size 36" x 64".
- Drain: Center 32"

Technical Data



Note: Dimensions may vary +/- 1/4



Shower Walls

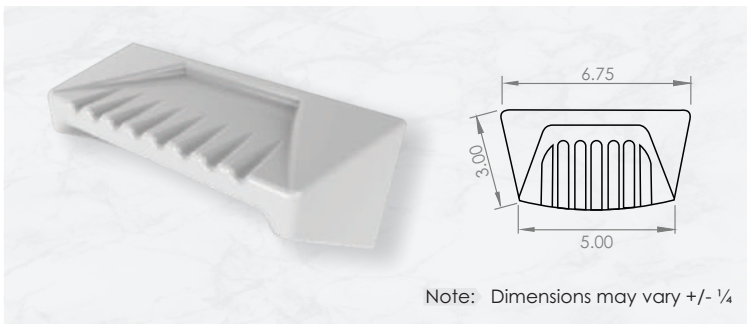
Engineered Stone

Accessories



Soap Dishes

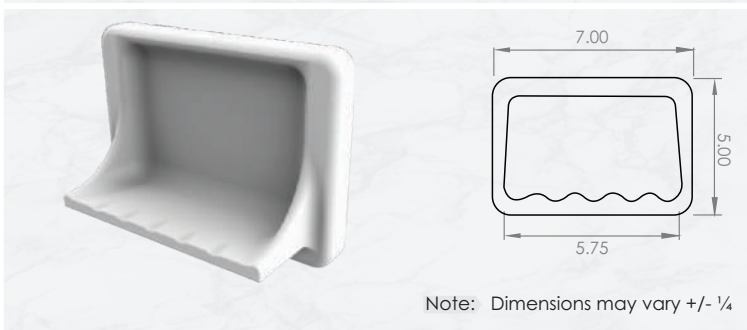
Center Mount



Corner Mount

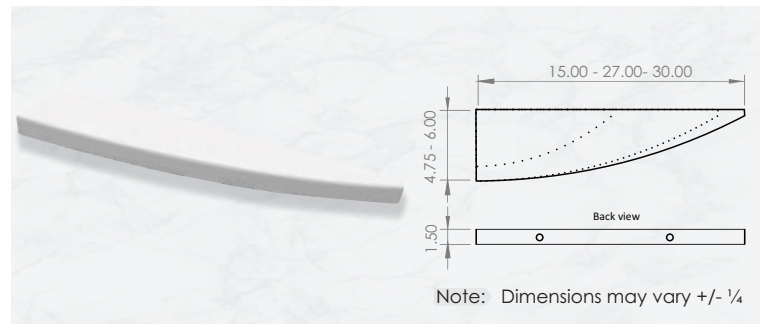


Wall Mount

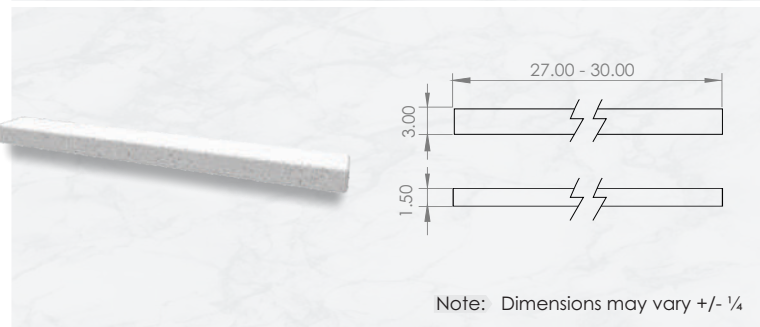


HOLDERS

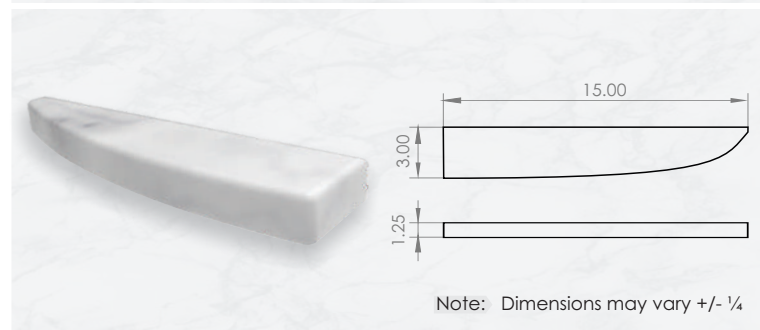
Foot Rest 15", 27", 30"



Accessorie Legde

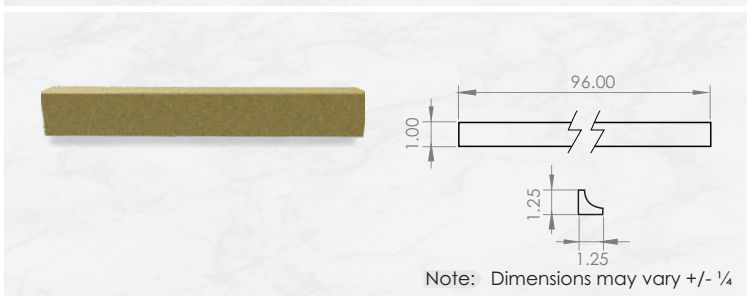


Angle Soap Dish 15" x 3"

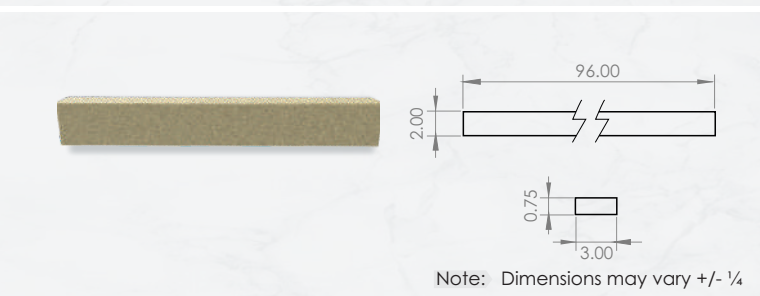


Accessories

Corner Trim

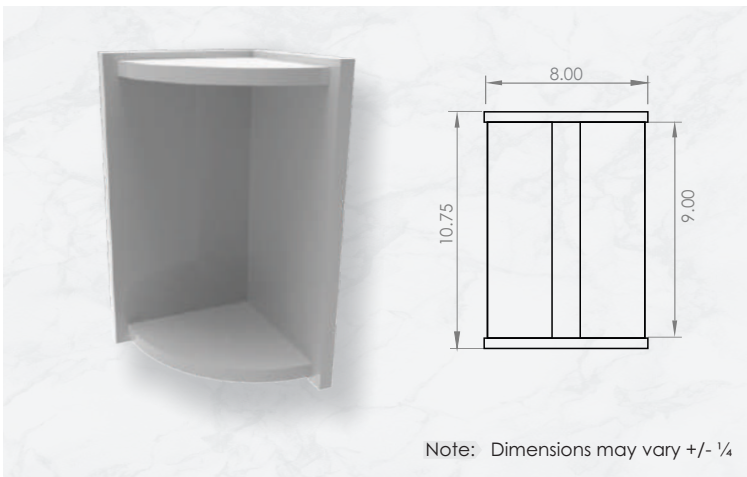


Trim Strip

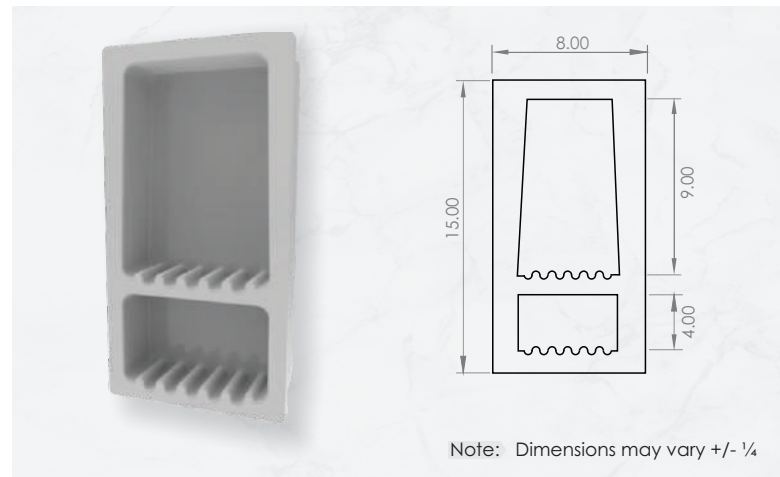


Holders

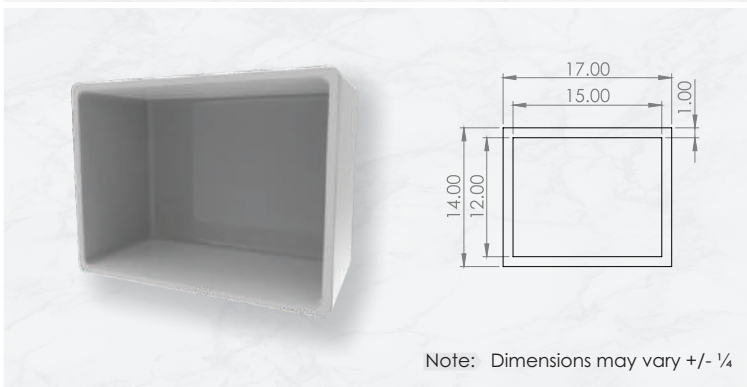
Large Corner Holder



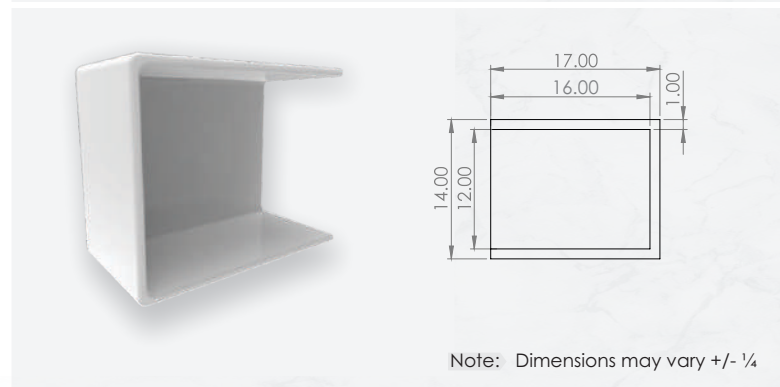
Shampoo Holder



Niche Frontal

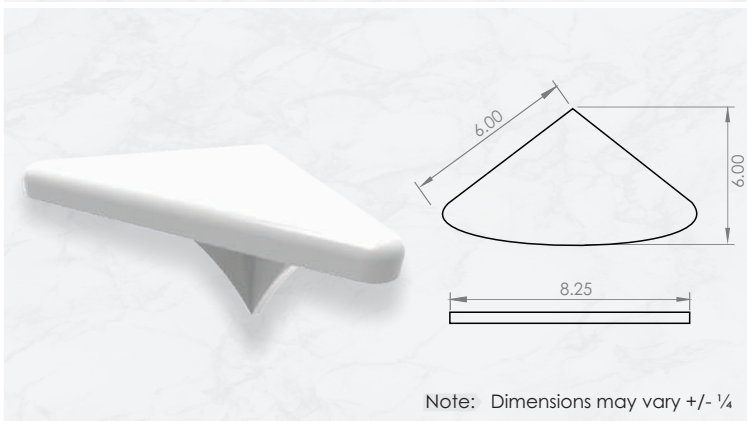


Niche (Corner)

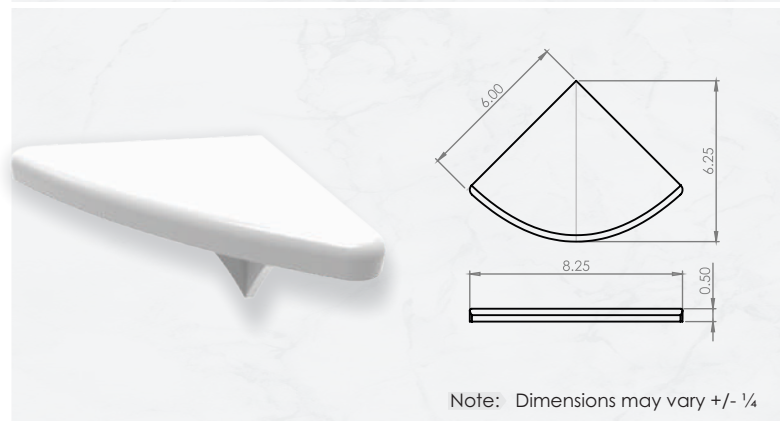


Accessories

Foot Rest 6"



Shampoo Shelve



Accessories

Shower Walls

Engineered Stone

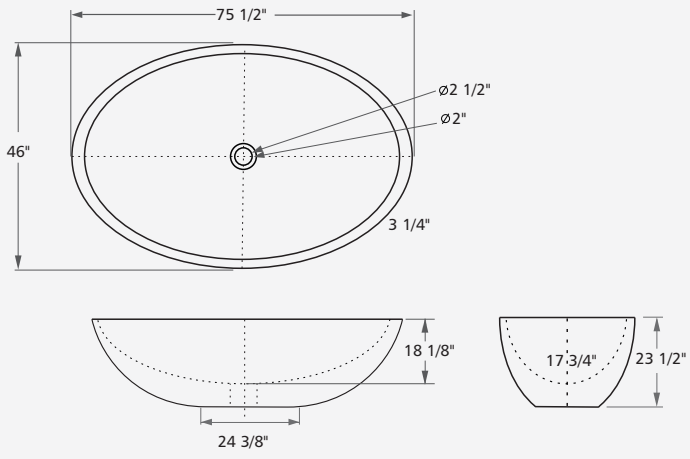
Free Stand
Bath Tubs



Free Stand



Technical Data



Note: Dimensions may vary +/- 1/4

Shower Walls

Engineered Stone

Hospitality
Vanity Bases



Údine

Specs

- Cabinet with double doors and metallic handles.

Size

- 22" x 37" RB (56 cm x 94 cm)

Material

- Cabinet made of MDF laminated with wood
- Cultured granite vanity top

Color

- Cabinet: Espresso
- Vanity top: Two tones granite



Stilo

Specs

- Cabinet with door and metallic handle

Size

- 22" x 49"LB (56 cm x 124 cm)

Material

- Cabinet made of MDF laminated with wood
- Cultured granite vanity top

Color

- Cabinet: Espresso
- Vanity top: Two tones granite



Torino

Specs

- Cabinet with stainless steel legs.

Size

- 24" x 60" (60 cm x 152 cm)

Material

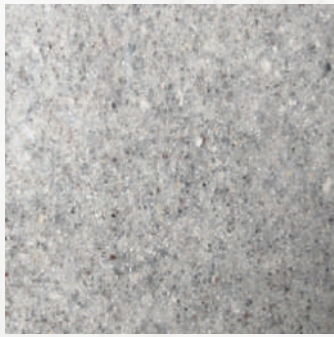
- Cabinet made of MDF laminated with wood
- Cultured granite vanity top

Color

- Cabinet: Espresso
- Vanity top: Two tones granite

Shower Walls

Engineered Stone



Solid Stone Colors

■ Features & Benefits

Shower Walls offers new trending colors that look like real marble on a very affordable price!



Beauty, elegant and luxurious appearance.



Durability-High strength, resistant to denting, chipping, abrasion and staining.



Lower cost- The casting process is less costly than quarried marble and granite.



Seamless Construction-Vanities and countertops, shower walls and bases are casted in one piece.



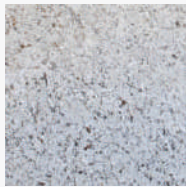
Water and Mildew resistant- silicone is use to seal the seams instead of porous grout.

- Actual color and granite size will vary.

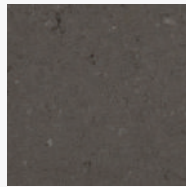
Colors



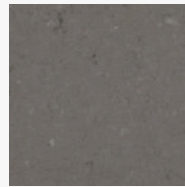
Sandy Cost



Artic Stone



Speckled Taupe



Gray Mist



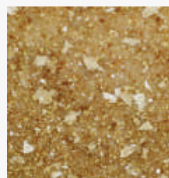
Moonstone



Beige Quartz



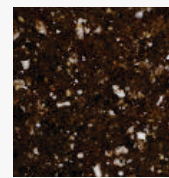
Premium Color



Caramel Corn



Boulder



Chocolate Fudge



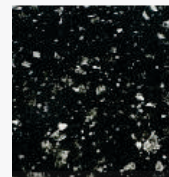
Napoli



Napoli



Snow Drift



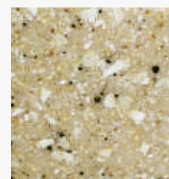
Milkyway



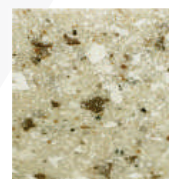
Concrete



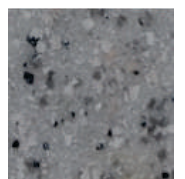
Bahama Sand



Maize



RockieTrail



Aggregate

Regular Color



Solid Bone



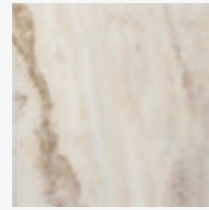
Solid White



White Bone



Italian White



Mexican Sand

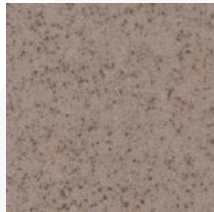


White / White

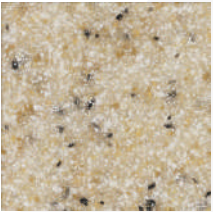
Sprayed Granite



Sandy Beach



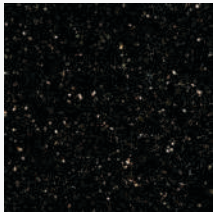
Walnut



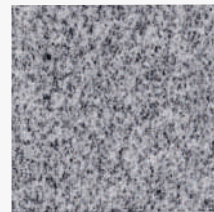
Aurora



Linem



Galaxy Black

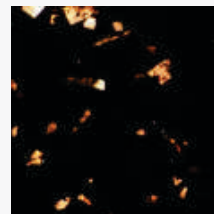


Pewter

Deluxe Color



Frost



Galaxy Bronze



Shower Walls

Engineered Stone

Installation
Instructions



Installation Instructions

Wall Panel System

Tools and materials required

- Electric or hand drill
- Level (24" min)
- Pencil
- Razor knife
- Caulking gun
- Hole saw (s)
- Adjustable wrench
- Screwdrivers (standard & Phillips)
- Masking tape (2" wide)
- Caulking Mineral spirits
- Adhesive for tub surrounds & shower walls- three (3) panels
- Tape measure



■ Preparation

The wall panels may be installed over drywall, plaster, painted walls, plywood, or any solid wall, stud or existing tile surface. Wall surfaces must be clean, dry and free grease, dust and loose or flaky paint or plaster. Additional bracing to the support optional grab bars and/or seat should be installed at this time. Refer to the accessory manufacturer instructions for proper installation according to local building codes. Plan rough plumbing requirements (drain- venting- supply lines) at this time according to local building code. Turn off water supply to bathtub- Remove existing control valve handle(s) cover plates and filler spout.

Installation Instructions

Wall Panel System

1 Accurately measure tub spout and handle(s) hole location on alcove side wall from the front edge of the bathtub and transfer dimensions to one of the 30" x 60" side panels. You may want to make a template (use shipping carton) to check hole layout before you cut holes into side panel. After you have double checked your measurements, using the proper size drill or hole saw, cut out holes for outlets.

2 Place Center Panel against backwall, raised from edge on bathtubrim covering the flange. Align center lines, using masking tape - temporarily tape center panel in place. Position drilled side panel over tubspout and handle(s), be sure to align frontedge with front edge of bathtub, temporarily tape in place. Temporarily tape remainingside panel in place, align front edge of side panel with front edge of bathtub. These will be your reference lines for permanently installing panels. Remove panels.

■ Permanent Installation

3 Apply a 1/8" dia. bead of adhesive to the back side of the Center Panel using a random "zig-zag" pattern. Carefully position panel on backwall of alcove, align previously marked centerlines and top edge guide lines. Press panel in place, working from top edge to bottom. "Vent" panel following procedure described on adhesive cartridge before proceeding. Install drilled side panel next, be sure to align front and top edge guide line. Follow the same procedure for the remaining side wall

■ Venting Method

4 Apply adhesive to back side of panel, align all guide lines and press panel firmly to wall compressing the adhesive. Hold in place approximately 30 seconds, then pull the panel away, wait 4 minutes. Carefully reposition the panel and press firmly into place. To insure proper adhesion, go over the entire tub surround 20 minutes after all (3) three panels are in place, pressing firmly by hand or tapping with a padded block

5 Wait approximately 12 hours before applying caulking to top, bottom, side and overlap edges. Remember to caulk around faucet spout and handle hole(s). Follow caulking instructions for clean up of excess caulk. Replace faucet spout and handle(s), turn on water supply to bathtub alcove. Wait 24 hours before using tub or shower.

Installation Instructions

Wall Panel System

Care, Cleaning & Maintenance

The surface of your Walls may be cleaned with a mild soap solution in warm water using a soft cloth. When using a cleaner product, carefully read the label to ensure that the cleaner is safe for use on the material. Do not allow cleaners to sit or soak on the surface. Wipe surface clean and rinse completely with water immediately after cleaner application. Rinse and dry any overspray on nearby surfaces. Never use abrasive scouring powder or steel wool pads, as they will scratch the surface. A periodic coating of a high quality marine or automotive polish will help retain the finish.

Installation Questions

Questions on the installation or missing parts, call 1-855- 219-3751, for assistance. Please have the installation manual available when calling.



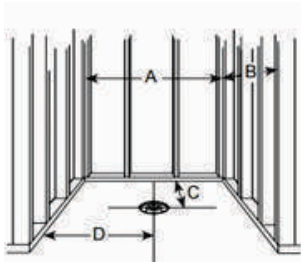
Installation Instructions

Shower Base

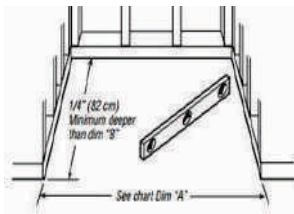
Confirm that all components have been included before beginning your installation. Floor leveling compound should be use under the shower base if your floor is not perfectly level. Do not screw or bolt the base to the floor.

Important: Read these instruction before starting installation

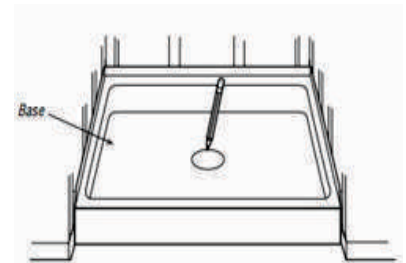
■ Prepare walls, floor and base.



1. Frame alcolve nothing your base dimensions.

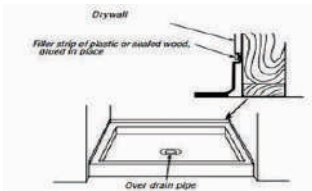


2. Position base and trace drain location.



3. Cut drain access a install drain pipe.

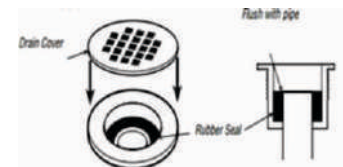
■ Install shower base.



4. Install drywall and filler strip



5. Lubricate rubber seal, pipe & drain and insert tap down until flush with drain pipe



6. Check that seal is flush with pipe and instal drain cover

■ Care, Cleaning maintenance

For regular cleaning use only mild detergents or warm soapy water applied with a soft cloth. Always rinse surface after cleaning and dry by blotting with a damp cloth or chamois. Do not use scouring pads, gritty cloths or cleaners that are not recommended. Cleaners not listed are either not approved or are untested. Please choose and approved cleaner from the list. If you have any questions, please call Shower Walls Customer Service at [855-219-3751](tel:855-219-3751)



Installation Instructions

Accessorie Ledge Option 1

Important: Read these instruction before starting installation

In preparation, before installing this accessories ledge, you will need to have completed the installation of the panel system and sealed the seams of the shower where the ledge is to be installed with 100% silicone.

Tools and materials required

- Drill, preferably corded, for drilling holes
- 3/16" masonry drill bit
- Measuring tape
- Pencil
- 100% Silicone for marble to marble seams (color matched for the marble)
- Clean, dry cloth for the accessorie ledge and the wall
- Phillips Head Screwdriver to tighten screws when attaching standoff mounting tubes 8"
- 2-3" Stainless Steel Truss head screws

Installing the accessorie ledge with wood blocking:

1. The installer should measure from the trimmed end of the ledge to the first hole and then mark the first hole that distance from the back wall, keeping the hole centered, then measure from the unfinished end to the second hold and mark that hole that distance from the back wall, keeping the hole centered.
2. Pre-drill the holes for the mounting hardware using the 3/16" masonry drill bit and the corded drill.
3. Apply 100% Silicone to the back of the ledge and into the holes where the 3" Truss head screws will go. Firmly press the accessories ledge into place against the wall and screw the accessories ledge into place.
4. Be sure to immediately clean up any silicone that may have squeezed out from behind the ledge. A clean, dry cloth should be all that is needed, but acetone or mineral spirits can be used on a rag to clean up excess silicone.
5. Once the ledge is securely in place, seal around the entire perimeter of the ledge to the wall with color matching 100% silicone.



The accessories ledge should be allowed to remain in place for a minimum of 48 hours to allow the silicone to cure before weight is applied. Absolutely NO weight should be applied during the first 48 hours as this will weaken the silicone bond. If the ledge is used before the allotted 48 hours all warranties will be void.

Disclaimer Notice: If the prescribed method of installation is not followed precisely, the accessories ledge may detach from the wall and cause damage to the panels and the walls. If the shower is occupied and the ledge detaches, physical injury to the occupant of the shower can occur.

Installation Instructions

Trim Strips

This trim is generally used when cast marble panel systems are being applied on top of existing tile or other previously installed material, to cover the gap left by applying the new panel system over the existing material.

Important: Read these instruction before starting installation

Trim strips, as a rule, are manufactured up to 96". The installer should plan to trim each piece to fit the area in which it will be installed. If the shower panels do not extend to the ceiling, the trim should be cut so that the top of the trim is the same height as the panels it will be installed next to. If you require trim longer than 96", it should be ordered in separate pieces and will have to be seamed when installed to reach lengths of longer than 96". This trim is designed to fit snug against the tub/shower enclosure. The panel system should stop flush with the edge of the tub/shower base. If not, the trim will need to be notched to fit tight against the panel, to avoid an unnecessarily large caulk joint between the panel and the trim. Installing the 1" thick renovation trim strip.

Tools and materials required

- Circular saw with a masonry blade.
- Measuring tape .
- Pencil.
- Speed square or framing square
- 100% silicone for marble to marble seams (color matched for the marble), if necessary.
- Latex caulk for marble to drywall seams.
- Clean, dry cloths to clean trim and wipe caulking.
- Construction adhesive for adhering Trim to the wall.
- Hot melt glue gun and glue sticks.

Installation Instructions

1. Measure the height of the area where the trim is to be installed. You may need to notch the trim around the base tile, if it is already set.
2. Cut the trim to fit. Sand the cut edges of the trim with 80 grit sandpaper to avoid cutting hands during installation and while caulking the trim.
3. Apply construction adhesive to the back of the trim and install the threshold. Note: you may want to use a small amount of hot melt glue to help hold the trim in place until the adhesive has time to set.
4. Caulk with appropriate color latex or acrylic caulk around the edges of trim, where marble meets drywall or painted or wallpapered walls. Use 100% silicone, color matched to match the marble on marble to marble and marble to tub/shower base seams.



Installation Instructions

Accessorie Ledge Option 2

Important: Read these instruction before starting installation

In preparation, before installing this accessories ledge, you will need to have completed the installation of the panel system and sealed the seams of the shower where the ledge is to be installed with 100% silicone.

Tools and materials required

- Drill, preferably corded, for drilling holes.
- 3/16" masonry drill bit.
- Measuring tape.
- Pencil.
- 100% Silicone for marble to marble seams (color matched for the marble).
- Clean, dry cloth for the accessorie ledge and the wall.
- Phillips Head Screwdriver to tighten screws when attaching standoff mounting tubes.
- 2- Winglt MAW35-SD fasteners and 2- standoff tubes.
- Either a winglt apache 200 Drill bit p/n# or a 3/4 hole saw, for drillin holes for MAW35-SD Master Winglt.

Installing the accessorie ledge with wood blocking:

1. The installer should measure from the trimmed end of the ledge to the first hole and then mark the first hole that distance from the back wall, keeping the hole centered, then measure from the unfinished end to the second hold and mark that hole that distance from the back wall, keeping the hole centered. .
2. Pre-drill the holes for the mounting hardware using the 3/16" masonry drill bit and the corded drill.
3. Insert an "L" shaped wire. Twirl the wire and make sure you don't hit an obstruction. If you do hit a wall stud, you can move the hole location either forward or backward up to an inch and the ledge will still cover the other holes.
4. Assemble the mounting hardware as shown in drawing.
5. Install the Winglt Model # MAW35-SD as per instructions which accompany the Winglts package. Make sure to tighten the screw securely, as this assembly will be what supports most of the weight of the ledge and anything that is placed on it.
6. Apply 100% silicone to the entire back of the ledge and into the hole that will receive the mounting hardware.

7. Carefully align the holes with the mounting hardware on the wall and slide the ledge onto the mounting hardware. Apply even pressure and make sure the back of the ledge is pressed completely against the wall.
8. Be sure to immediately clean up any silicone that may have squeezed out from behind the ledge. A clean, dry cloth should be all that is needed, but acetone or mineral spirits can be used on a rag to clean up excess silicone.
9. Once the ledge is securely in place, seal around the entire perimeter of the ledge to the wall with color matching 100% silicone.

The accessories ledge should be allowed to remain in place for a minimum of 48 hours to allow the silicone to cure before weight is applied. Absolutely NO weight should be applied during the first 48 hours as this will weaken the silicone bond. If the ledge is used before the allotted 48 hours all warranties will be void.

Disclaimer Notice: If the prescribed method of installation is not followed precisely, the accessories ledge may detach from the wall and cause damage to the panels and the walls. If the shower is occupied and the ledge detaches, physical injury to the occupant of the shower can occur.

Installation Instructions

Corner Soap Dish

Please read the following before attempting to install your new cast marble corner mounted soap dish

These installation instructions have been written for Shower Walls Corner Mount Soap dish cast marble, corner mount soap dish. If you have received a different product than shown, please contact our office so we can send the proper instructions to you.

In preparation, before installing the soap dish, you will need to have completed the installation of the panel system and sealed the seams of the shower panels behind where the soap dish is to be installed with 100% silicone.

Two types of adhesive are needed to install the soap dish because they serve different purposes. The hot melt glue bonds immediately, but will not hold the soapdish for more than a few days. The silicone takes a few hours to cure, but after curing, they will secure the soap dish indefinitely.

Tools and materials required

- Torpedo Level
- Silicone 100% and caulk gun
- Hot melt glue and hot melt glue gun.
- Acetone
- Pencil

Installing the cast marble corner mount soap dish:

1. After determining the location of the soapdish, use the acetone to thoroughly clean the back of the soapdish and the wall where it is to be installed. Hold the soapdish up against the wall in the area to be installed. Check the level with the torpedo level. Adjust the soapdish as necessary to get the flat part of the soapdish level. Mark along the edge of the soapdish with your pencil on the wall. This will give you a reference line to use to keep it level while being glued to the wall.

2. Apply silicone to the cleaned back of the soapdish. Only a small "daub" of silicone is necessary. Place the silicone toward the outer edges. Apply a small amount of hot melt glue in the middle of the back of the soapdish. It is important that the two different adhesives do not mix, because they do not work well together when mixed. Once the hot melt glue has been applied, the soapdish needs to be installed immediately. Otherwise, the hot melt glue will cool. If that happens, scrape the hot melt glue off and reapply.

3. Any excess silicone and hot melt glue can be cleaned up after installation. The earlier it is cleaned, the easier it is to remove. Also, using a clean cloth rag and acetone, clean the pencil lines from the panel



Please use acetone only. Denatured alcohol or other water-based cleaners are not acceptable. If you do not have acetone, wiping with a clean, dry rag is an acceptable alternative.

If you have any questions, please call Shower Walls Customer Service at [1-855-219-3751](tel:1-855-219-3751).

Installation Instructions

Shampoo Shelve 7" x 7"

Please read the following before attempting to install your new cast marble shampoo shelve

These installation instructions have been written for Shower Walls Corner Mount Soap dish cast marble, corner mount soap dish. If you have received a different product than shown, please contact our office so we can send the proper instructions to you.

In preparation, before installing the soap dish, you will need to have completed the installation of the panel system and sealed the seams of the shower panels behind where the soap dish is to be installed with 100% silicone.

Two types of adhesive are needed to install the soap dish because they serve different purposes. The hot melt glue bonds immediately, but will not hold the soapdish for more than a few days. The silicone takes a few hours to cure, but after curing, they will secure the soap dish indefinitely.

Tools and materials required

- Torpedo Level
- Silicone 100% and caulk gun
- Hot melt glue and hot melt glue gun.
- Acetone
- Pencil

Installing the cast marble corner mount soap dish:

1. First you will need to determine the location of the shampoo shelf. Oncedetermined make a mark with your pencil on the panel. This will be the height to the top of the shampoo shelf.
2. After determining the correct height for the shelf, use the acetone to thoroughly clean the back of the shampoo shelf and the wall where it is to be installed.

3. Using the torpedo level, lightly make a level line to the corner, going onto the adjacent wall with the mark.

4. The 5 ¼" wide support should be installed first. Apply silicone to the clean back of the support, only a small amount is necessary. Place the silicone toward the outer edges of the supports. Then apply a small amount of hot glue to the middle of the back of the supports.

NOTE: It is important that the two different adhesives **DO NOT** mix. Once the hot melt glue has been applied, the supports need to be installed immediately. If they are not and your hot melt glue cools, the glue will need to be scraped off and re-applied.

5. The 5" wide support should be installed next, following the same procedure used to install the 5 ½" support.

6. Apply a bead of silicone to the back sides of the shampoo shelf, and then put several dots of hot glue around the silicone, making sure the two adhesives don't mix. Next press the shampoo shelf firmly into the corner, against walls, hold for 30 seconds then wipe away any excess coming from behind the shampoo shelf. Using 100% silicone, color matched for the cast marble, seal around the shampoo shelf once installation is complete.

7. Using a clean rag or cloth, wipe off the pencil lines and any excess silicone.



Please use acetone only. Denatured alcohol or other water-based cleaners are not acceptable. If you do not have acetone, wiping with a clean, dry rag is an acceptable alternative.

If you have any questions, please call Shower Walls Customer Service at [1-855-219-3751](tel:1-855-219-3751).



Contact Us



NSG Design
A Natural Stone Gallery Company

www.naturalstonegallery.net • Tet: (832) 368-5673
QUALITY HOSPITALITY PRODUCTS & HOTEL VANITIES

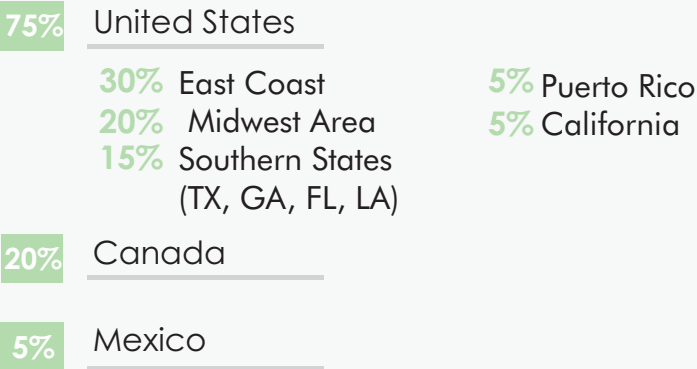


Product Catalogue

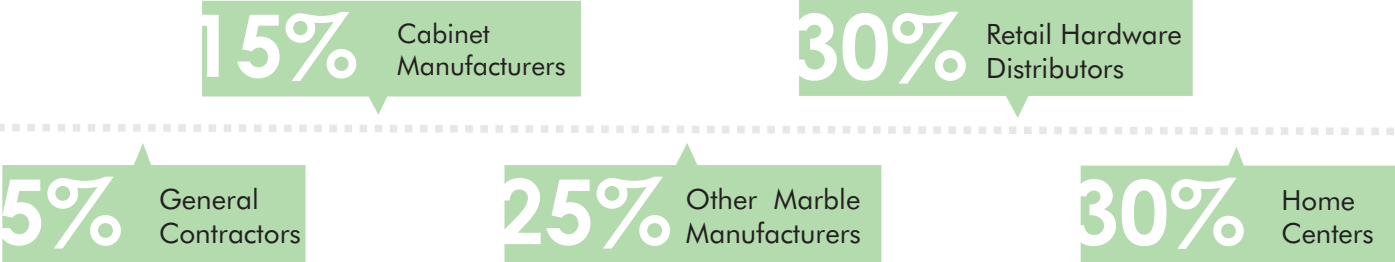
Business References



Sales Territory



Main Customers Per Category



MODULAR

Vanity Tops



Our Colors

Regular



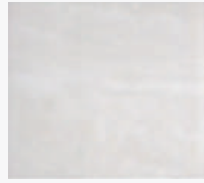
Mexican Sand



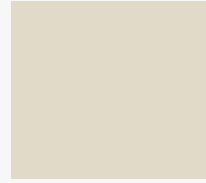
Italian White



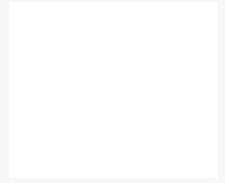
White / Bone



White / White



Solid Bone



Solid White

Sprayed Granite



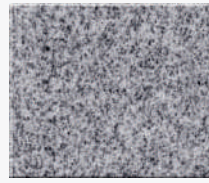
Sandy Beach



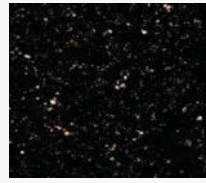
Walnut



Aurora



Pewter

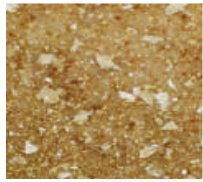


Galaxy Black



Linen

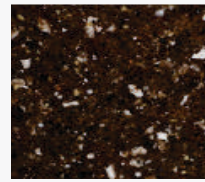
Premium



Caramel Corn



Boulder



Chocolate Fudge



Moonscape



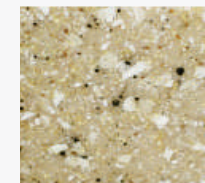
Napoli



Snow Drift



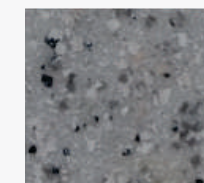
Bahama Sand



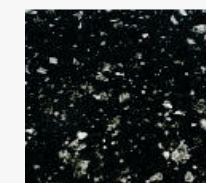
Maize



RockieTrail



Aggregate

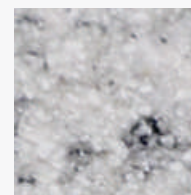


Milkyway



Concrete

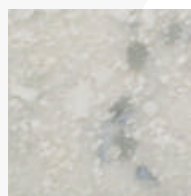
Deluxe



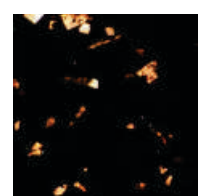
Artic Stone



Beige Quartz



Frost



Galaxy Bronze



■ Wave Two tones 4" | Backsplash

Size

- 19" x 25" • 22" x 25" • 22" x 43"
- 19" x 31" • 22" x 31" • 22" x 61" CTR
- 19" x 37" • 22" x 37" • 22" x 67" DB

Features

- 4" Backsplash.
- Rectangular integrated bowl.
- Prediller for 4" faucet.
- Built in overflow.
- Sides splash available.

Colors

- ✓ Regular ✓ Sprayed Granite ✓ Premium ✓ Deluxe

Note: Dimensions may vary +/- 1/4



■ Wave Two tones 2" | Backsplash

Size

- 22" x 31"
- 22" x 37"
- 22" x 49"
- 22" x 61" CTR

Features

- 2" Backsplash.
- Rectangular integrated bowl.
- Prediller for 4" faucet.
- Built in overflow.
- 1 1/4" thick flat edge.

Colors

- ✓ Regular ✓ Sprayed Granite ✓ Premium ✓ Deluxe

Note: Dimensions may vary +/- 1/4



■ Wave no Backsplash

Size

- 19" x 25" • 22" x 25" • 22" x 43"
- 19" x 31" • 22" x 31" • 22" x 61" CTR
- 19" x 37" • 22" x 37" • 22" x 67" DB

Features

- No Backsplash.
- Rectangular integrated bowl.
- Prediller for 4" faucet.
- Built in overflow.
- 1 1/4" thick flat edge.

Colors

- ✓ Regular ✓ Sprayed Granite ✓ Premium ✓ Deluxe

Note: Dimensions may vary +/- 1/4



■ Belgrado

Size

- 22" x 25"
- 22" x 31"
- 22" x 37"
- 22" x 49"

Features

- No Backsplash.
- Flat edges.
- Predriller for 4" faucet.
- Built in overflow.

Colors

- ✓ Regular ✓ Sprayed Granite ✓ Premium ✓ Deluxe

Note: Dimensions may vary +/- ¼



■ Carrara

Size

- | | | |
|-------------|-----------------|----------------|
| • 22" x 25" | • 22" x 43" | • 22" x 61" DB |
| • 22" x 31" | • 22" x 49" | • 22" x 37" DB |
| • 22" x 35" | • 22" x 55" | |
| • 22" x 37" | • 22" x 61" CTR | |

Features

- Natural carrara marble.
- Separated Backsplash.
- Flat edges.
- Predriller for 4" faucet.
- Undermount Bowl.
- Built in overflow.
- Side splash available.

Note: Dimensions may vary +/- ¼



■ Cuarzo

Size

- | | | |
|-------------|-----------------|----------------|
| • 22" x 25" | • 22" x 43" | • 22" x 61" DB |
| • 22" x 31" | • 22" x 49" | • 22" x 37" DB |
| • 22" x 35" | • 22" x 55" | |
| • 22" x 37" | • 22" x 61" CTR | |

Features

- White galaxy Quartz.
- Separated Backsplash.
- Flat edges.
- Predriller for 4" faucet.
- Undermount Bowl.
- Built in overflow.
- Side splash available.

Note: Dimensions may vary +/- ¼



Laguna

Size

- 19" x 25" • 22" x 25" • 22" x 43" • 22" x 61" DB
- 19" x 31" • 22" x 31" • 22" x 49" • 22" x 37" DB
- 19" x 37" • 22" x 35" • 22" x 55"
- 19" x 49" • 22" x 37" • 22" x 61" CTR

Features

- Backsplash.
- Non-drip edge.
- Predriller for 4" faucet.
- Built in overflow.
- Sides splashes available.
- 19" & 22" series.

Colors

- ✓ Regular ✓ Sprayed Granite ✓ Premium ✓ Deluxe

Note: Dimensions may vary +/- 1/4



Montreal

Size

- 19" X 31" • 22" X 31" • 22" x 49"
- 19" X 37" • 22" X 37"

Features

- 4" Backsplash.
- Rectangular integrated bowl.
- 4" faucet.
- 1" thick non-drip edge.
- 19" & 22" series.

Colors

- ✓ Regular ✓ Sprayed Granite ✓ Premium ✓ Deluxe

Note: Dimensions may vary +/- 1/4



Newton

Size

- 22" x 31"
- 22" x 37"
- 22" x 49"

Features

- No Backsplash.
- Modern Design.

Colors

- ✓ Regular ✓ Sprayed Granite ✓ Premium ✓ Deluxe

Note: Dimensions may vary +/- 1/4



Contempo

Size

- 19" x 25"
- 19" x 31"
- 19" x 37"
- 22" x 31"
- 22" x 37"
- 22" x 49"
- 22" x 61"
- 22" x 61" DB

Features

- Contemporary bowl.
- 1" non-drip edge.
- 4" faucets.
- Predilled for 4" Faucet.
- Built in overflow.

Colors

- ✓ Regular
- ✓ Sprayed Granite
- ✓ Premium
- ✓ Deluxe

Note: Dimensions may vary +/- ¼



Citlali

Size

- 19" x 25"
- 19" x 31"
- 22" x 37"
- 22" x 43"

Features

- No backsplash.
- Modern design.

Colors

- ✓ Regular
- ✓ Sprayed Granite
- ✓ Premium
- ✓ Deluxe

Note: Dimensions may vary +/- ¼



Luna

Size

- 22" x 31"
- 22" x 37"
- 22" x 49"
- 22" x 61" CTR
- 22" x 61" DB

Features

- Oval bowl.
- Bevel-edge.
- 4" faucet.

Colors

- ✓ Regular
- ✓ Sprayed Granite
- ✓ Premium
- ✓ Deluxe

Note: Dimensions may vary +/- ¼



Vaessa

Size

- 17½" x 13½"
- 19" x 25"

Features

- No backsplash.
- Modern design.

Colors

- ✓ Regular ✓ Sprayed Granite ✓ Premium ✓ Deluxe

Note: Dimensions may vary +/- ¼



Mindy

Size

- 12" x 20"

Features

- No Backsplash.
- Modern Design.

Colors

- ✓ Regular ✓ Sprayed Granite ✓ Premium ✓ Deluxe

Note: Dimensions may vary +/- ¼



Tokyo

Size

- 9" x 16"

Features

- No backsplash.
- Modern design.

Colors

- ✓ Regular ✓ Sprayed Granite ✓ Premium ✓ Deluxe

Note: Dimensions may vary +/- ¼



MODULAR

Vanity Cabinets

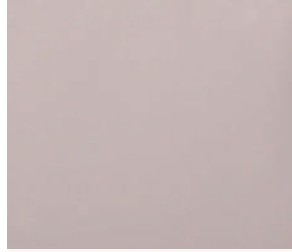


Our Colors

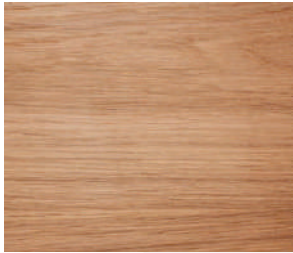
Wood



Espresso



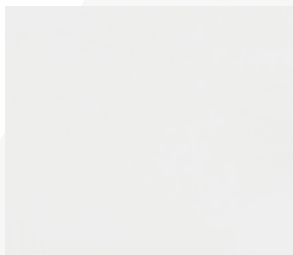
Gray



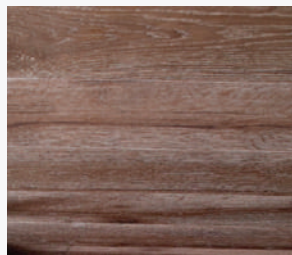
Oak



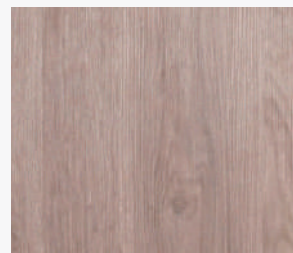
Fresno



Solid White



Cobblestone



Lombrada



Black & Gray





■ Sorrento

Specs

- Cabinet with double drawer and metallic handles

Size

- 48 cm x 79 cm - (19" x 31")

Material

- Cabinet made of playwood and solid wood (Banak)
- Cultured marble vanity top

Color

- Cabinet: Solid white
- Vanity top: Two tones / Carrara marble



■ Údine

Specs

- Cabinet with double doors and metallic handles.

Size

- 56 cm x 94 cm - (22" x 37") RB

Material

- Cabinet made of MDF laminated with wood
- Cultured granite vanity top

Color

- Cabinet: Espresso
- Vanity top: Two tones granite



Milán

Specs

- Double doors cabinet, metallic handles and legs.

Size

- 22" x 31" (56 cm x 79 cm).

Material

- Cabinet made of MDF laminated with wood.
- Cultured marble vanity top.

Color

- Cabinet: Espresso.
- Vanity top: Solid white.



Stilo

Specs

- Cabinet with door and metallic handle.

Size

- 22" x 49" LB (56 cm x 124 cm).

Material

- Cabinet made of MDF laminated with wood.
- Cultured granite vanity top.

Color

- Cabinet: Espresso.
- Vanity top: Two tones granite.



Trento

Specs

- Cabinet with double doors and square metallic handles.

Size

- 22" x 31" (56 cm x 79 cm).

Material

- Cabinet made of painted MDF.
- Cultured granite vanity top.

Color

- Cabinet: Gray.
- Vanity top: Two tones granite.



Bari

Specs

- Cabinet with square metallic handle.

Size

- 22" x 31" (56 cm x 79 cm).

Material

- Cabinet made of painted MDF.
- Cultured granite vanity top.

Color

- Cabinet: Gray.
- Vanity top: Two tones granite.



Turín

Specs

- Cabinet with drawer and metallic handles.

Size

- 19" x 25" (48 cm x 64 cm).

Material

- Cabinet made of MDF laminated with wood.
- Cultured granite vanity top.

Color

- Cabinet: Espresso.
- Vanity top: Two tones granite.



Savona

Specs

- Cabinet with double doors, metallic handles and legs.

Size

- 19" x 25" (48 cm x 64 cm).

Material

- Cabinet made of melamine.
- Cultured marble vanity top.

Color

- Cabinet: Fresno.
- Vanity top: Solid white.



■ Lombardia

Specs

- Cabinet with double doors, metallic handles and legs.

Size

- 19" x 25" (48 cm x 64 cm).

Material

- Cabinet made of melamine.
- Cultured marble vanity top.

Color

- Cabinet: Lombardia.
- Vanity top: Solid white.



■ Nápoli

Specs

- Cabinet with stainless steel legs.

Size

- 22" x 55" (56 cm x 140 cm).

Material

- Cabinet made of MDF laminated with wood.
- Cultured granite vanity top.

Color

- Cabinet: Espresso.
- Vanity top: Two tones granite.



■ Rocco

Specs

- Cabinet with double doors and metallic handles.
- Wall-hung.

Size

- 17" x 19" (43 cm x 48 cm).

Material

- Cabinet made of high gloss melamine.
- Cultured marble vanity top.

Color

- Cabinet: Solid white.
- Vanity top: Solid white.



■ Issola

Specs

- Cabinet with double doors and metallic handles.
- Wall-hung.

Size

- 18" x 31.5" (46 cm x 80 cm).

Material

- Cabinet of MDF laminated with wood.
- Cultured marble vanity top.

Color

- Cabinet: Solid white and oak.
- Vanity top: Solid white.



Monza

Specs

- Cabinet with double doors and metallic handles.
- Wall-hung.

Size

- 19" x 25" (48 cm x 64 cm).

Material

- Cabinet made of melamine.
- Cultured marble vanity top.

Color

- Cabinet: Oak.
- Vanity top: Two tones granite.



Gretta

Specs

- Cabinet with one door and metallic handle.
- Wall-hung.

Size

- 13.5" x 24.5" (34 cm x 62 cm).

Material

- Cabinet made of melamine.
- Cultured marble vanity top.

Color

- Cabinet: Black and gray.
- Vanity top: Solid white.



■ Calcato

Specs

- Cabinet with double doors ,4 dowers and metallic handles.

Size

- 22" x 61" (56 cm x 155 cm).

Material

- Cabinet made with high gloss melamine.

Color

- Cabinet: Solid white.
- Vanity top: Solid white.



■ Royal

Specs

- Cabinet with double doors, 8 dowers and metallic handles.

Size

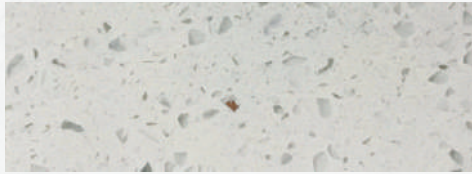
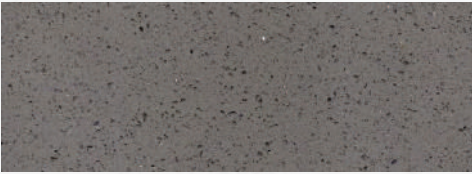
- 22" x 34" x 49" (56 cm x 86cm x 125 cm).

Material

- Cabinet made of solid wood frame and plywood side panels.
- Cultured granite vanity top.

Color

- Cabinet: Espresso.
- Vanity top: Two tones granite.



Quartz Fabrication Machine





| Contact Us



NSG Design
A Natural Stone Gallery Company

www.naturalstonegallery.net • Tel: (832) 368-5673
QUALITY HOSPITALITY PRODUCTS & HOTEL VANITIES

FAQ

■ What is Cultured Marble?

Cultured Marble is a pour molded mix of Polyester Resin and a granulate filler, usually Calcium Carbonate, commonly called Limestone. Limestone is the same mineral that has become natural marble in some areas of the world. It is covered with a layer of clear, high grade of polyester resin called gelcoat, which provides the smooth, easily maintainable and polished surface.

The process is much like baking a cake, only we put the glazing on first. The molds are first assembled as needed, then waxed and sprayed with clear gelcoat. When the gelcoat hardens, a mixture of polyester resin, aggregate fillers, hardeners and pigments are poured into the upside down mold and let cure. After de-molding the product is trimmed and polished before being shipped and installed to your bathroom.

■ What are benefits of cultured marble over other products?

The main benefit of Cultured Marble is the ability to eliminate all but a few seams. Therefore there are fewer areas for mildew to grow, and leaks to start. Cultured Marble baths are not totally seamless but compare 247 inches of smooth 25-year silicon to the 4000 inches of rough and porous grout line found in the average tub-shower walls.

Sinks and countertops can be one piece doing away with the always hard to clean lip around china bowls. Unlike tile, where the porous grout is not waterproof, or natural marble where the stone itself will leak and stain without constant maintenance, Cultured Marble with silicone seams is absolutely watertight.

Silicone is the same sealant that is keeping the water inside all glass aquariums all around the world. Fiberglass units are watertight, however they constantly flex and therefore are prone to cracking over years of use. Additionally, they are not customizable and since their surface compound is pigmented, it is softer and wears faster than the clear gelcoat that covers our colored products.

But aside from the technical aspect, Cultured Marble gives you, unlike any other product, the ability to coordinate your bathroom the way you want to. Choose items in matching or contrasting colors from the sink to tub or shower and surrounding walls, all sized and shaped to fit your particular needs. We have over 14 shower pan molds, 14 tub- molds and 16 different sink styles in over 200 colors.

FAQ

■ Why use Cultured Marble or Granite instead of tile for showers ?

Cultured marble/granite panels and shower pans are solid pieces with no grout lines to clean or keep sealed. The seams are sealed with a mildew resistant 100% silicone caulk that requires little in the way of maintenance. Also, building structures will shift with the change of temperatures, this may cause grout lines to crack and crumble. This problem is avoided with the use of cultured marble/granite.

■ How do I care for Cultured Marble?

Cultured Marble takes very little maintenance. No regular stripping and resealing like stone, no scrubbing of grout lines, just a little wiping. However there are some things to keep in mind...No abrasive cleaners, and never use a scouring pad. Powdered cleaners should not be used. Avoid prolonged exposure to solvents, acids and lye. Wipe down regularly using spray or aerosol household cleaners for the tub and tile, windows, dishes or appliances. Ammonia based cleaners also work well. Hardware stores also sell products that are specially made to care for gel coated products and fiberglass.

■ Can minor scratches be removed?

Gloss Finish, Yes. Fine scratches can be removed with automotive paint buffing compound and a hand held polisher. A company technician should take care of deeper scratches.
Matte Finish, These textures will not show minor scratches.

■ Will my Cultured Marble or Granite stain easily?

Cultured marble/granite is thoroughly tested to resist stains from ink, hair dye, shoe polish, iodine, crayons, bleach, drain cleaners, ammonia, hydrogen peroxide, and many other products commonly found in bathrooms.

“We are committed to customer satisfaction”

