

Metering Unit

Table 32-2. Metering Unit Parts

Item	Description	Part Number
1	Metering Base Assembly ¹	79846-68101
2	Cover	79846-44101
3	Seal 25 μ l	79846-27101
	Seal 250 μ l	79846-27103
4	Syringe 25 μ l ²	9301-0633
	Syringe 250 μ l ³	9301-0678
5	O-ring	0905-0970
6	Waste Tray 25 μ l	79846-24501
	Waste Tray 250 μ l	79846-24502
7	Plunger 25 μ l	9301-0675
	Plunger 250 μ l	9301-0677
8	Waste Tube	79846-27303
9	Syringe Motor	79846-67901
10	Coupler	1500-0495
11	Bushing	79846-21701
12	Screw M3 - 6lg	0515-0886
13	Washer	3050-0891
14	Light Swich Board	79846-66502
15	Retainer	0510-0043
16	Pin	79846-26101
17	Retainer	0510-0043
18	Hand Screw	79846-22405
19	Screw M3 - 18lg	0515-0786
20	Leak Tray	79846-44701

1 Excluding items 2 to 20.

2 Includes item 7, 25 μ l.

3 Includes item 7, 250 μ l.

Automatic Injector and Column Switching Valve

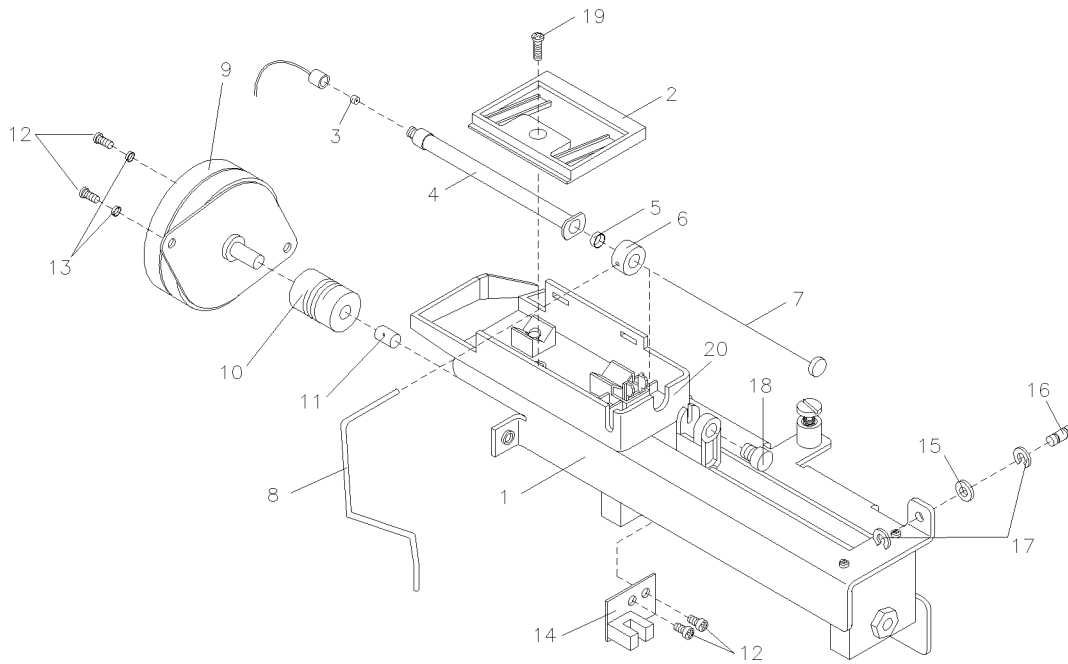


Figure 32-3. Metering Unit