

Programmable Cool On-Column EPC Pneumatic Module 0-100 psig (HP part no. G1545-60500)

Description	HP Part No.	Qty.
1. Male Connect 1/8" Swagelok	0100-1346	1
2. Inlet Block Fitting	G1543-20510	1
3. EPC Valve Replacement Kit	G1530-60610	1
4. Screw, M4 x 45 mm, Torx T20	0515-2484	1

For diagram of screw and O-ring placement in pneumatic modules see figure 1310-7 on page 15 of this section.

Programmable Cool On-Column EPC Pneumatic Module

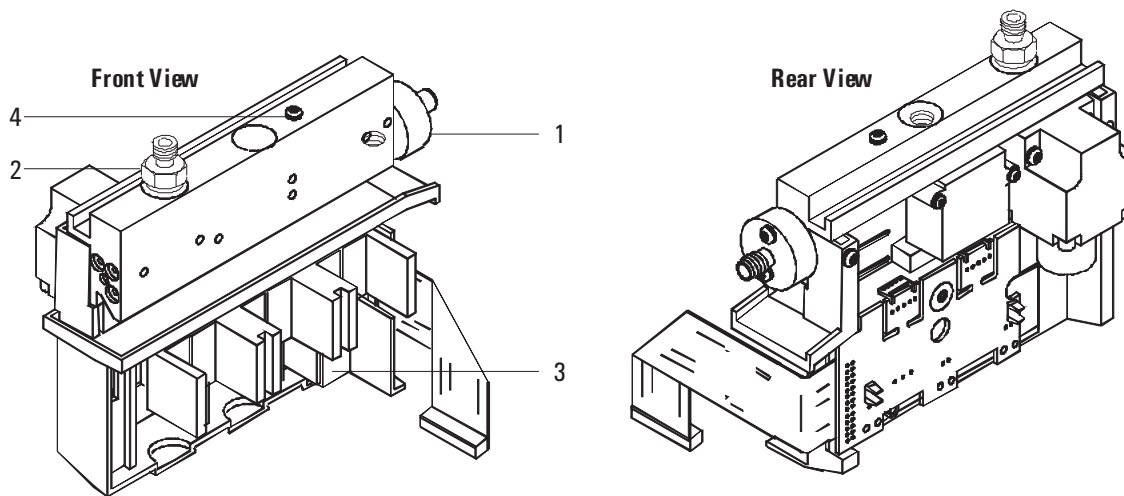


Figure 1310-10 Programmable Cool On-Column EPC Pneumatic Module