

Flow Cell

Table 49-3. Flow Cell Parts

Item	Description	Part Number
	Cell Assembly ¹	79881-60002
1	Clamp Lever	79881-05001
2	Cell Housing	79881-25204
3	Inlet Capillary .12	79881-67301
4	Outlet Capillary .25	79881-67302
5	Cell Screw	79881-22403
6	Cell Spring	79881-09103
7	Cell Window	79881-28101
8	Cell Gasket 0.6	79881-27101
9	Cell Gasket 1.2	79881-27102
10	Screw Heatexchanger M2.5×0.45 6lg	0515-0894
11	Screw Cell M2.5×0.45 4lg	0515-1056

¹ Includes items 1 to 11.

Note



Items 1, 2 and 11 can be purchased to make an FPD test cell.

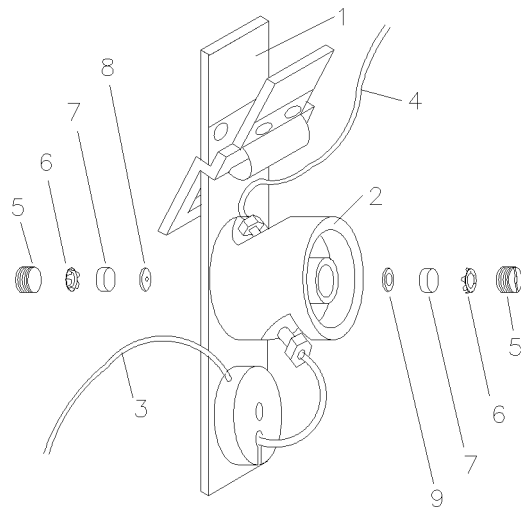


Figure 49-3. Flow Cell