
Tray, HP part no. G2614A

	Description	HP Part no.	Qty/Assy
1.	Tray module assembly (new)	G2614-60965	—
	Tray module assembly (exchange)	G2614-69965	—
2.	Torx screw, T-20, m4 × 45 mm	0515-2484	2
3.	Quadrant/ 4pk	18596-40015	1
4.	Torx screw, T-20, m4 × 20 mm	1390-1024	1
NS	Main tray cable	G2614-60610	1

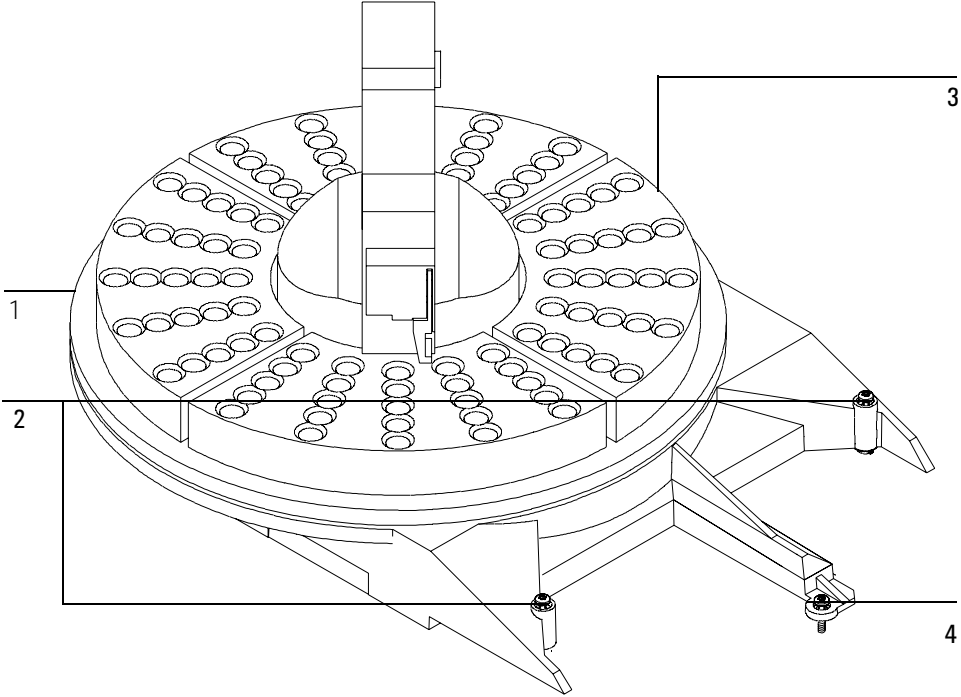


Figure 10 HP G2614A Tray replacement parts