

Nitrogen Phosphorus Detector (NPD)

Description	HP Part No.	Qty
1. Screw, M4 x 10 mm, Torx, T20	0515-2495	1
2. Hinged Cover Assembly	G1534-80520	1
3. Screws, M3 x .5 x 8 mm Torx, T10	0515-0655	3
4. NPD Bead Assembly	G1534-60570	1
5. Screw, M4, Torx, T20	0515-2495	3
6. Power Cable Assembly	G1534-60600	1
7. Lid Weldment	G1534-80510	1
8. Collector Funnel	G1534-20530	1
9. NPC ceramic replacement kit	5182-9722	–
Includes:		
9A. Metal C-ring – 019	0905-2580	1
9B. Alumina Insulator, Upper	G1534-40020	1
9C. Alumina Insulator, Lower	G1534-40030	1
9D. Metal C-ring – 014	0905-1284	2
10. Screw, M4 x 10 mm	0515-2495	1
11. J-Clamp	1400-0015	1
12. Screw, M4 x 10 mm	0515-2495	2
13. NPD Interconnect Assembly	G1534-60610	1
14. NPD Signal Board	G1534-60010	1
15. NPD Interface Board	G1534-60020	1
16. Pallet Captive Screws	1390-1024	4
17. O-Rings, HP M8 (Order No. 5180-4181, 12/pkg)	0905-1039	3
18. Screw, M4 x 10 mm, Torx, T20	0515-2495	1
19. Mounting Pallet	G1531-40020	1
20. Jets:		1
Packed Column NPD		
– Capillary Column (0.011 in. id)	19244-80560	1
– Packed Column (0.018 in. id)	18710-20119	–
– High Temp (for use in simulated distillation, 0.018 in. id)	19244-80620	–
Capillary Only NPD		
– Fused Silica Capillary/530 μ (0.011 in. id)	G1531-80560	1
– High Temp Jet (0.018 in. id)	G1531-80620	–
21. Heater/Sensor Assembly	G1531-61140	1
22. Base Weldment:		1
– Capillary Column NPD	G1534-80500	–
– Packed Column NPD	G1534-80540	–
23. Lid Stop	G1534-20590	3
24. NPD Block Insulation	G1531-00030	1
25. Column Adapters for Packed NPD:		1
– Capillary Column	19244-80610	–
– 1/8 in. Packed Column	19231-80520	–
– 1/4 in. Packed Column	19231-80530	–
26. Nutwarmer Insulation (Order qty 3)	19234-60715	3
27. Nutwarmer Cup	19234-60700	1
28. Flow Measurement Adapter (not shown)	G1534-60640	–

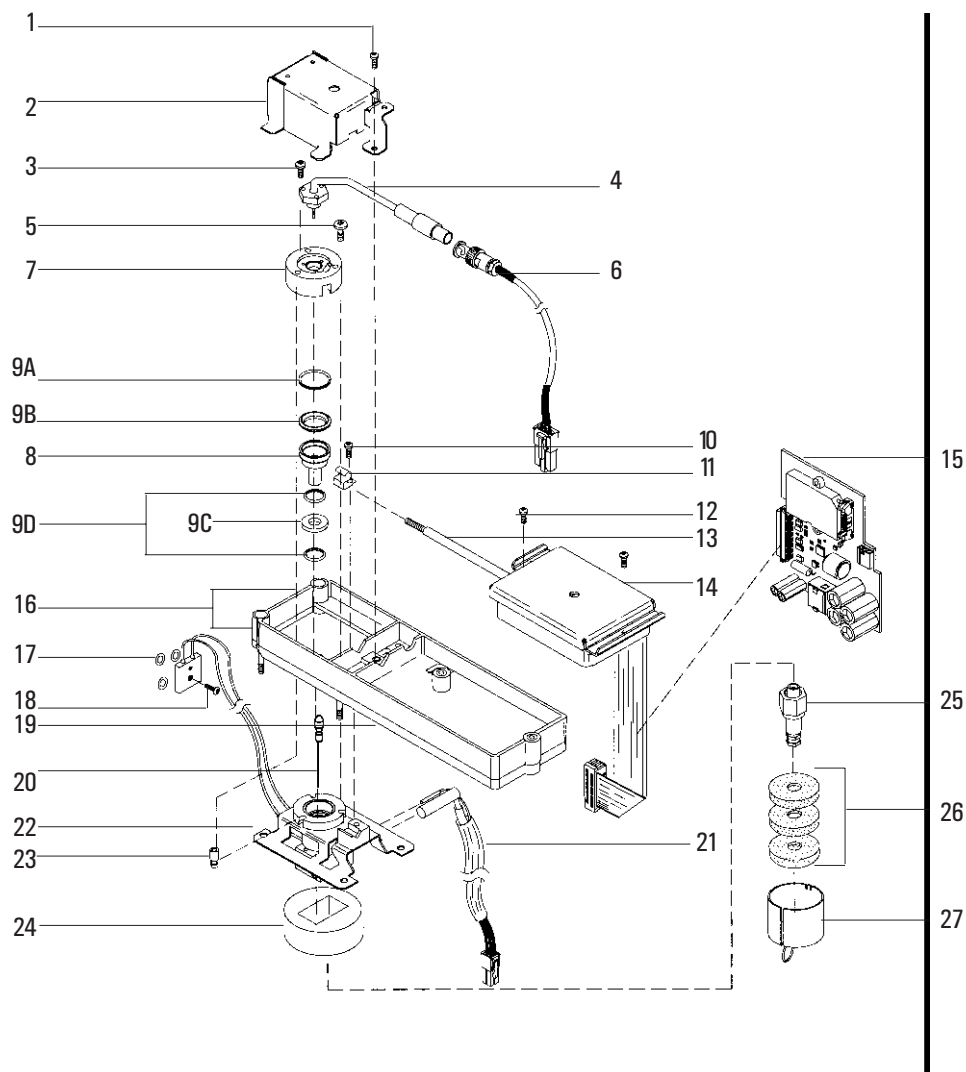


Figure 1320-5 Exploded diagram of the Nitrogen Phosphorous Detector