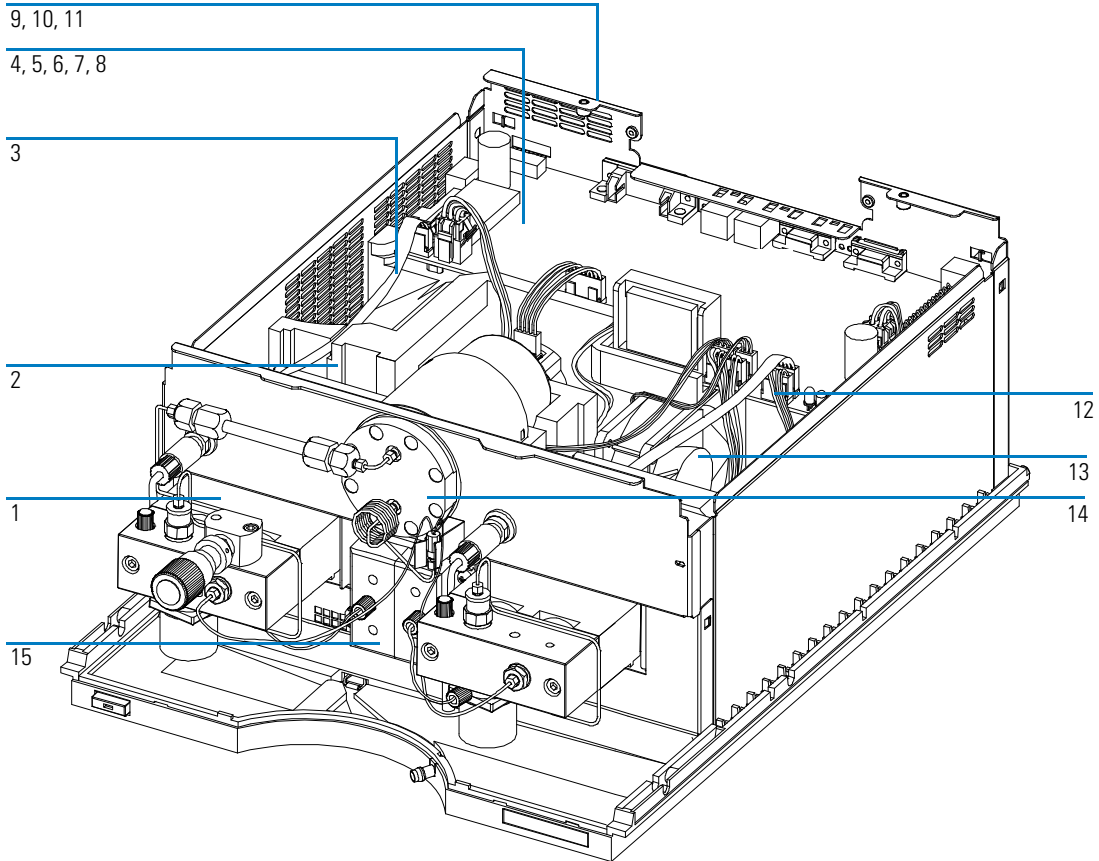


---

## Overview of Main Assemblies

**Figure 30**

**Overview of Main Assemblies**



Parts and Materials  
**Overview of Main Assemblies**

**Table 6**

**Repair Parts — Pump Housing and Main Assemblies**

| <b>Item</b> | <b>Description</b>                       | <b>HP Part Number</b> |
|-------------|--|-----------------------|
| 1           | Pump head, page 181                      | G1311-60004           |
| 2           | Pump drive assembly                      | G1311-60001           |
|             | Exchange assembly — pump drive           | G1311-69001           |
| 3           | Cable assembly — AIV to main board       | G1311-61601           |
| 4           | High-pressure pump main board (HPM)      | G1312-66520           |
|             | Exchange assembly — HPM board            | G1312-69520           |
| 5           | Standoff — HP-IB connector               | 0380-0643             |
| 6           | Standoff — remote connector              | 1251-7788             |
| 7           | Nut M 14 — analog output                 | 2940-0256             |
| 8           | Washer — analog output                   | 2190-0699             |
| 9           | Power supply                             | 0950-2528             |
| 10          | Screw M4, 8 mm lg — power supply         | 0515-0910             |
| 11          | Washer — power supply                    | 2190-0409             |
| 12          | Cable assembly — solvent selection valve | G1312-61602           |
| 13          | Fan assembly                             | 3160-1017             |
| 14          | High pressure damper                     | 79835-60005           |
| 15          | Solvent selection valve                  | G1312-60000           |