

CO₂ Cryogenic Cooling

Description	HP Part No.	Qty.
1. LCO2 Blast Brazement	G1535-80550	1
2. Tee-Union, Brass	0100-0090	1
3. 1/8 Male Conn. w/o O-ring	G1543-80025	1
4. Screw, MS 8-32, .312 LG	2510-0043	2
5. Cryo Bracket	G1565-00010	1
6. Gland Seal, LCO2	G1565-20590	1
7. CO2 Cryo Valve	G1565-60545	1
8. CO2 Cryo Inline Filter	3150-0602	1
9. CO2 Inlet Tube	G1565-20600	1
10. Cryo Blast Restrictor Weldment	G1565-80590	1
11. LCO2 Weldment	G1565-80505	1
12. Clamp Screw	G1565-20560	1
NS Scr-mach T20, Torx, M4 x 12 mm	0515-2496	2
NS TFE Seal	G1565-20840	1
NS CO2 Cryogenic Kit	G1565-65510	-
NS LCO2 Cryo Blast Kit	G1565-65520	-
NS CO2 Cryo VLV/Dual Blast Assembly	G1565-65521	-

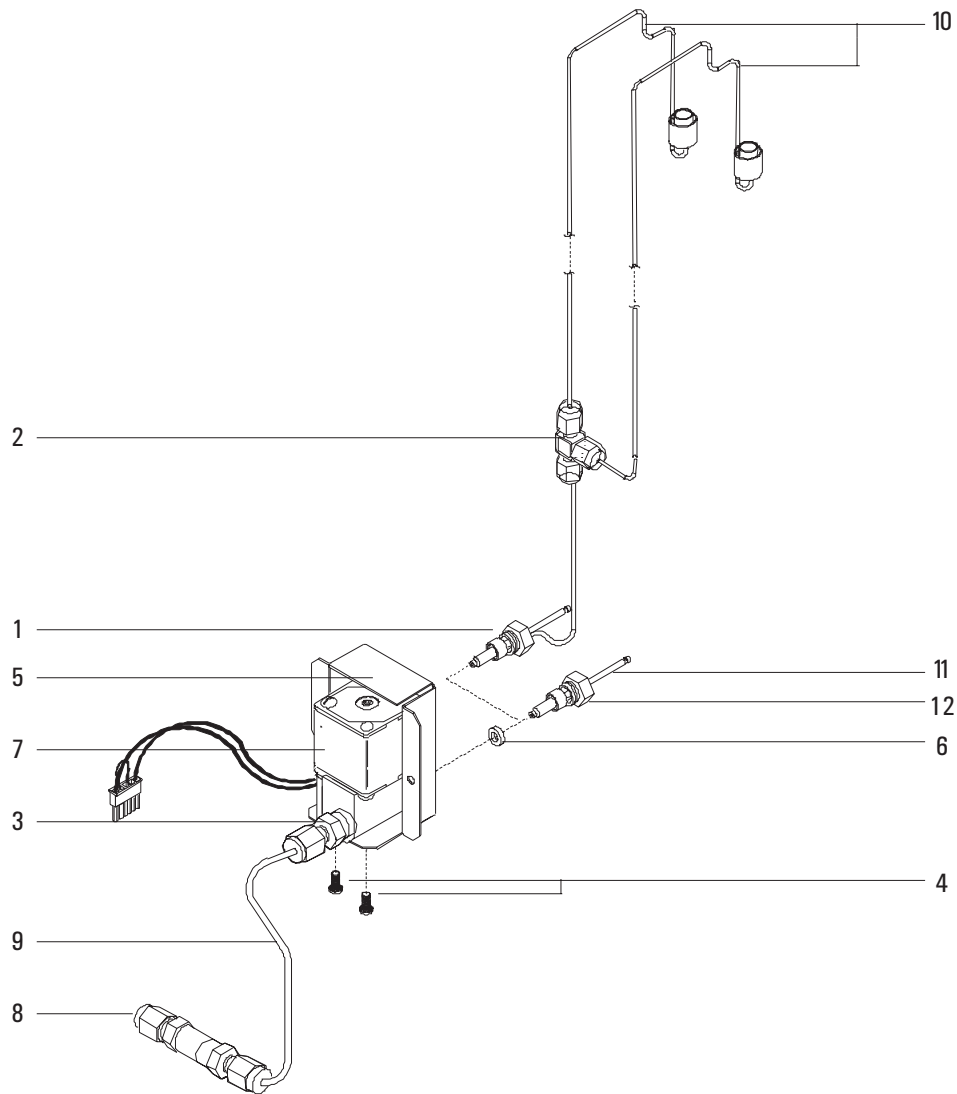


Figure 1340-3 CO₂ cryogenic cooling