

## Split/Splitless Inlet Column Liners

The table below lists some of the liners available for the split/splitless column. Refer to the *Analytical Columns and Supplies Catalog* for a complete list of liners and the specifications for each.

Description	HP Part No.	Qty.
Single-Taper Liner w/ Glass Wool Packing (Deactivated)	5062-3587	1
Single-Taper Liner w/out Glass Wool Packing (Deactivated)	5181-3316	1
Double-Taper Liner (Deactivated)	5181-3315	1
Split/Splitless Liner	19251-60540	1
Splitless Liner (Deactivated)	5181-8818	1

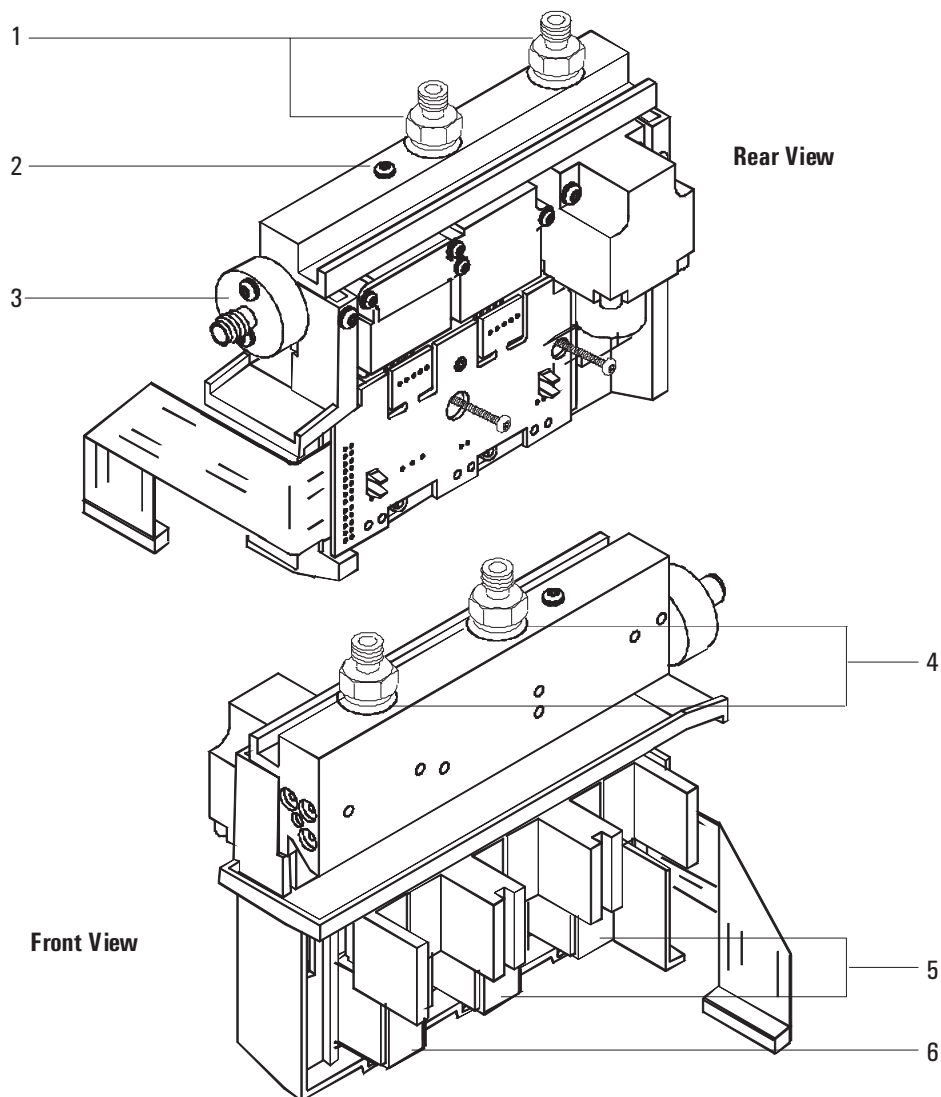
## Split/Splitless Inlet EPC Pneumatic Module

(HP part no. G1544-60500, 0–100 psig or G1544-60540, 0–150 psig)

Description	HP Part No.	Qty.
1. Male Connectors 1/8 in. Swagelok	G1543-80030	2
2. Screw, M4 x 45 mm, Torx T20	0515-2484	1
3. Inlet Supply Fitting	G1543-20510	1
3A. Screw, M3 x 20 mm, Torx T10	0515-1319	8
4. O-rings, under connectors and fitting (12/pkg)	5180-4182	1
5. EPC Valve Replacement Kit	G1530-60610	2
6. Split Vent On/Off Valve	G1544-60580	1

For diagram of screw and O-ring placement in pneumatic modules see figure 1310-7 on page 15 of this section.

## Split/Splitless Inlet EPC Pneumatic Module



**Figure 1310-2 Split/Splitless Inlet EPC Pneumatic Module**