

## Valve Actuator Assembly (1 of 4 pages)

Description	HP Part No.	Qty.
1. Valve Actuator Assembly	G1580-60660	1
2. Modified Screw	19325-80030	2
3. Quick-Release Pin	1480-0632	1
4. 1/8" Hose Fitting, 10-32 x 1/16 in. ID, Hose Barb	0100-1205	2
5. Teflon Tubing 1/8" od (order by the inch; 42 inches for each Actuator)	0890-0746	
6. 36° Actuator Limiter	18900-21000	1
7. End Cap	19325-20680	1
8. Elbow Fitting, 10-32	0100-1220	1
9. Coupler/Shaft Assembly	G1580-60640	1
NS Hex Key, 3 mm (not shown)	8710-0911	—

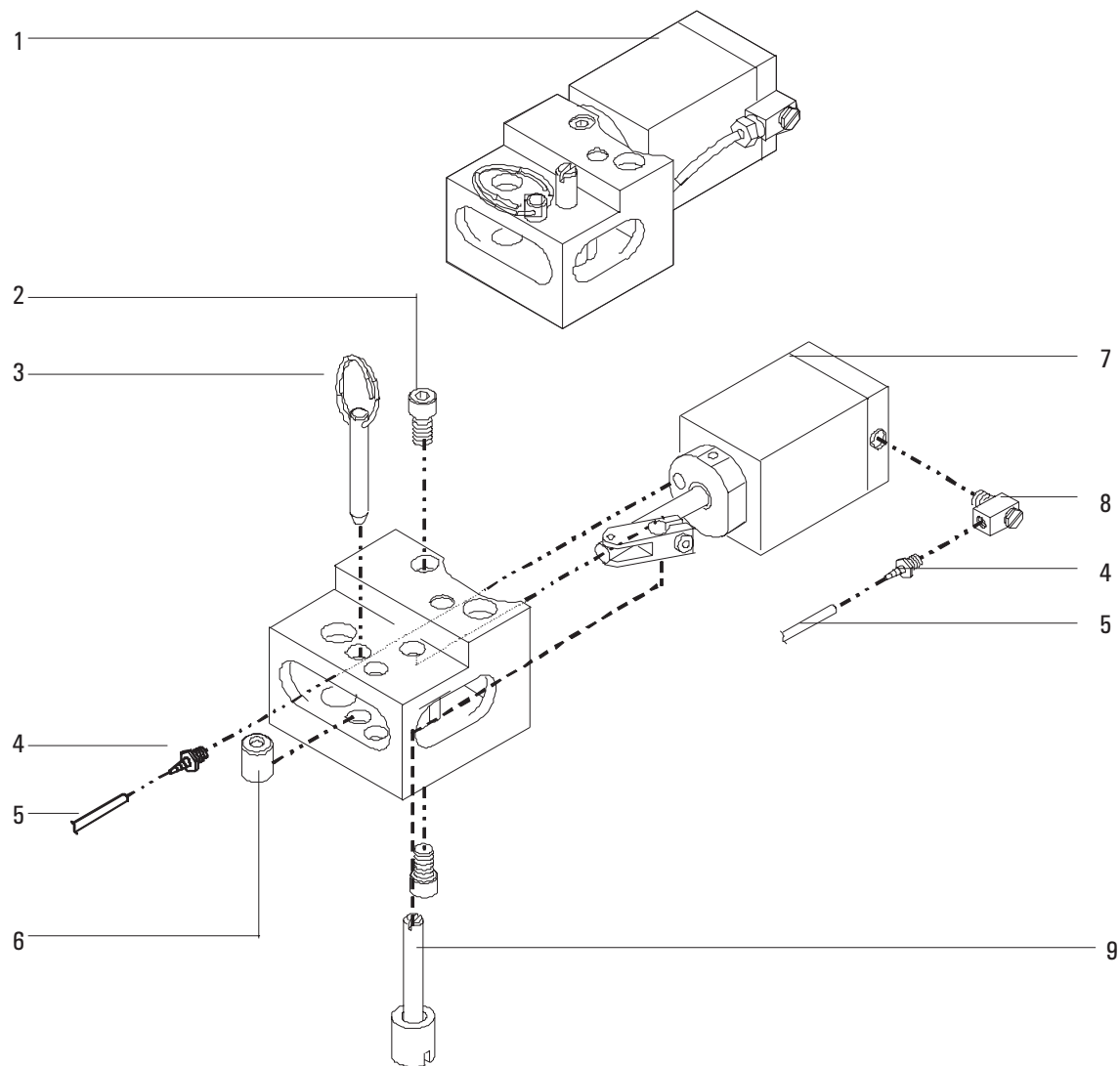


Figure 1350-3 Valve Actuator Assembly (1 of 2)

### Valve Actuator Assembly (3 of 4)

Description	HP Part No.	Qty.
1. Dowel Pin	1480-0017	1
2. Socket Head Screw, M4 x 8-mm	0515-0153	3
3. Link	19325-80010	1
4. Piston Rod	19325-20650	1
5. Teflon Tubing, 1/8-inch o.d. x 42 in. for Actuators	0890-0746	1
6. Hose Fitting	0100-1205	2
7. O-ring, 0.239-inch ID	0905-0103	1
8. Actuator Cylinder	19325-20630	1
9. Piston	19325-20640	2
10. O-ring, 1.046-inch ID	0905-0626	1
11. O-ring, 1.176-inch ID	0905-0997	1
12. Cylinder End Cap	19325-20680	1
13. Elbow Fitting	0100-1220	1

## Valve Actuator Assembly (2 of 2)

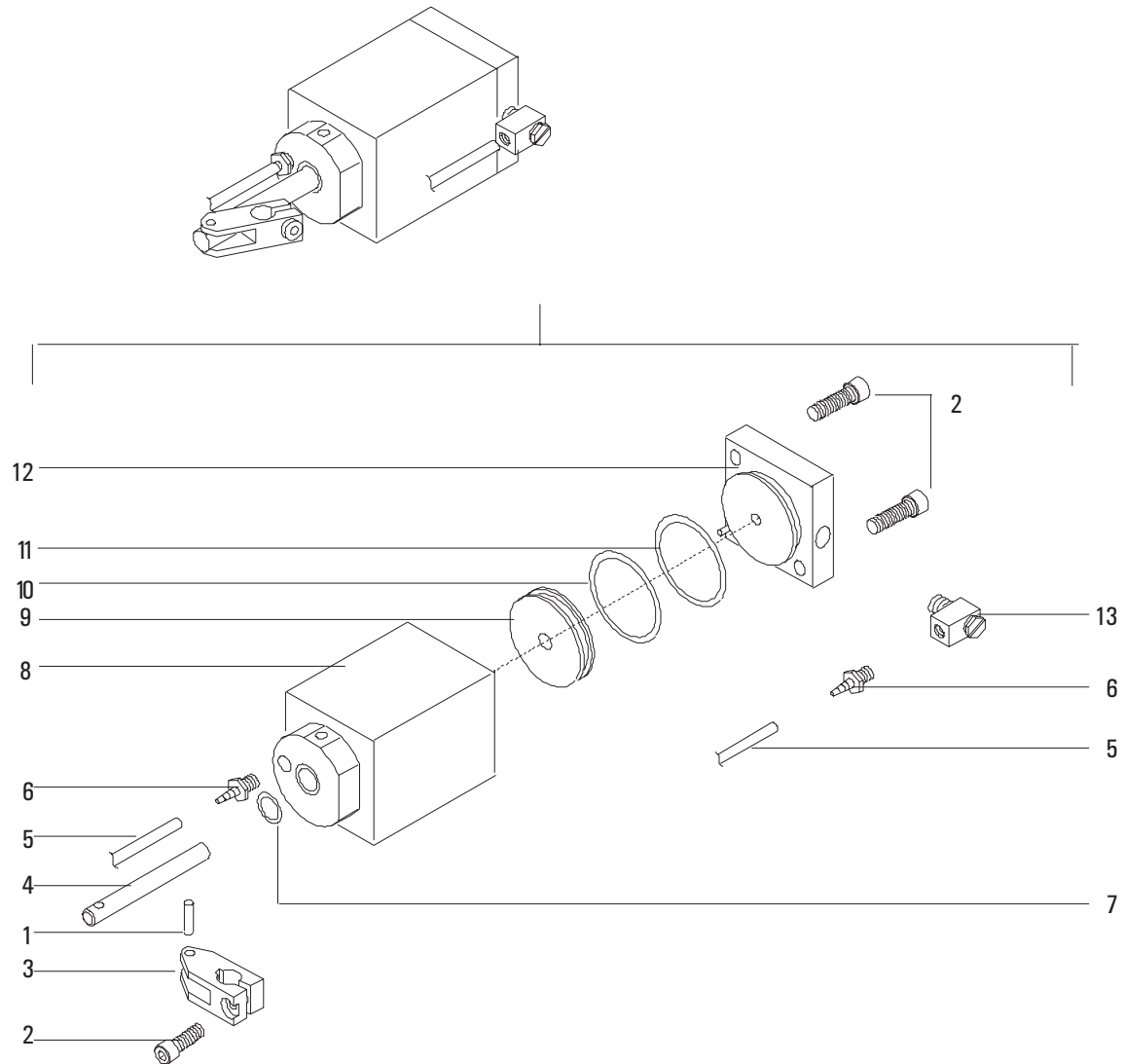


Figure 1350-4 Valve Actuator Assembly (2 of 2)