

Item	Description	HP Part No.
1	Plastic M8 Fitting (Nut)	05890-40050
2	O-ring 12/pk	0905-1039 5180-4181
3	EPC ¹ /BPR ² Bracket	19243-00125
4	1/8-in. Swagelok Plastic Cap	05890-40230
5	5/16-in. Hex Nut	2950-0203
6	0-400 Mass Flow Controller For replacement parts see Section 4	19362-60575
7	Machine Screw M3 x 0, 5 x 8	0515-0912
8	Transducer Brazement	19243-80600
9	Hex Nut with Lockwasher	0535-0043
10	EPC Sensor PCB Assembly 0-100 psi (2 Channel) 0-100 psi (6 Channel) 0-15 psi (6 Channel)	19245-60020 19245-60025 19245-60050
11	Vent Torque Plate	19244-00030
12	Aux Vent Brazement	19251-80527
13	Septa Vent Tube Weldment	19244-80580
14	Proportional Control Valve	19251-60720 (includes 19251-60656)
15	Solenoid Valve Assembly	19251-60560
16	Connects to Insert Assembly ³	
17	Septa Purge Regulator (Approx. 3 ml)	19251-60710
NOT SHOWN:		
	Cable, 6 Channel EPC	19245-60705
	External Sampler Interface Kit	19245-60990

¹EPC— Electronic Pressure Control

²BPR— Back Pressure Regulator

³See Item 22 of next figure

Figure 1. EPC Split/Splitless Capillary Inlet Flow Module (Sheet 1 of 2).

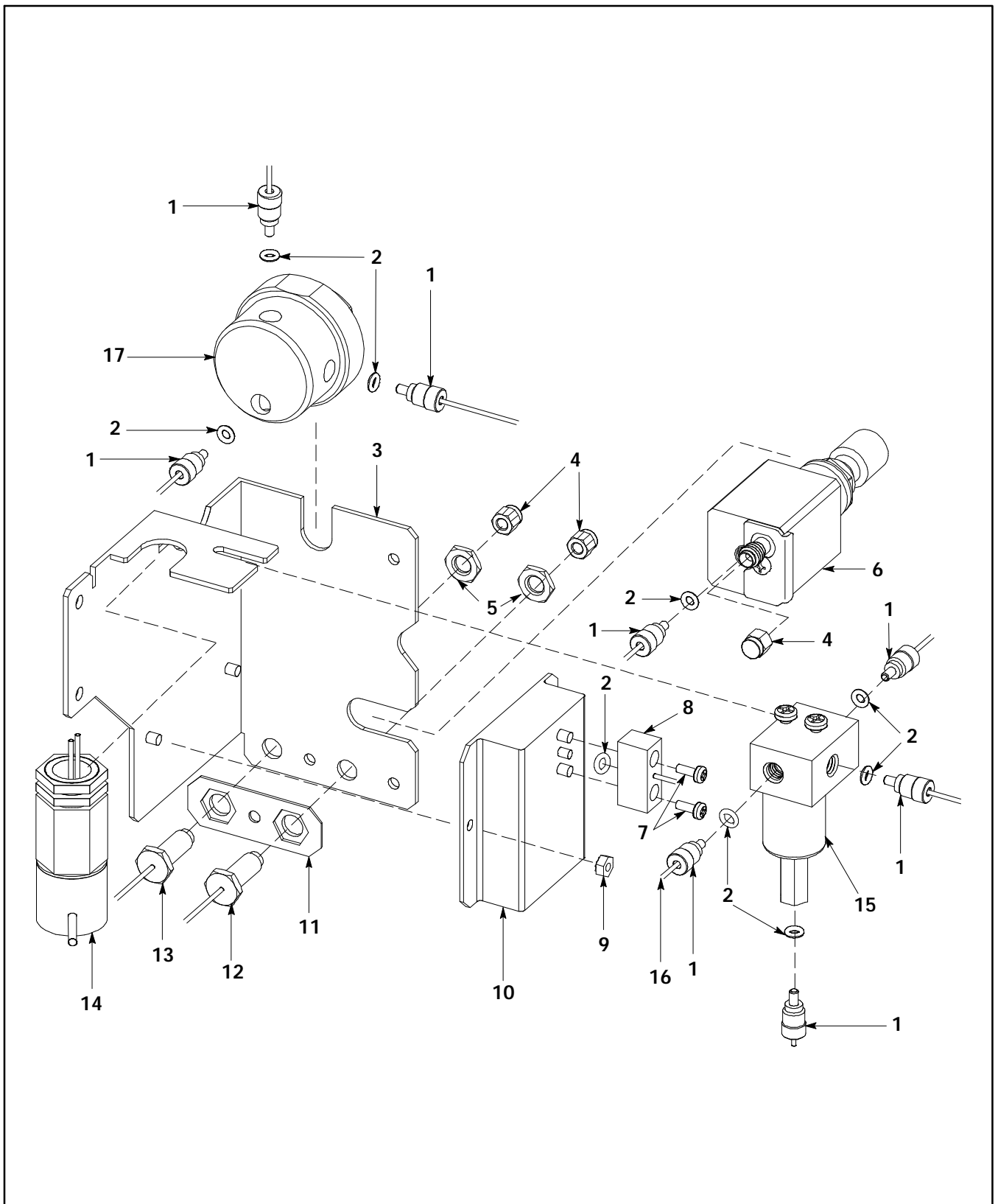


Figure 1. EPC Split/Splitless Capillary Inlet Flow Module (Sheet 2 of 2).