

## Thermal Conductivity Detector (TCD)

Description	HP Part No.	Qty
1. Screw, M4 x 12 mm, Captive Torx, T20	0515-2496	2
2. Thermal Cover	G1532-00040	1
3. Top Insulation	G1532-00020	1
4. Screw, M4 x 0.7 x 8 mm, Chrome Plated	0515-2711	2
5. O-Rings, HP M8 (Order No. 5180-4181, 12/pkg)	0905-1039	3
6. Screw, M4 x 10 mm, Torx, T20	0515-2495	1
7. TCD Assembly	G1532-60675	1
8. Column Adapters:		1
TCD Capillary	G1532-80540	–
– 1/8 in. Nut (10/pkg)	5180-4103	–
– 1/8 in. Vespel Ferrule, graphitized (10/pkg)	0100-1332	–
TCD Packed, 1/8 in. Tube to 1/4-in. Female (not shown)	G1532-20710	–
– 1/8 in. Nut (10/pkg)	5180-4103	–
– 1/8 in. Vespel Ferrule (10/pkg)	0100-1332	–
9. Column Ferrules:		
– Graphite, 0.5 mm id (10/pkg)	5080-8853	–
– Graphite, 1.0 mm id (10/pkg)	5080-8773	–
10. Column Nut (2/pkg)	5181-8830	1
11. TCD Signal Board*	G1532-60015	1
12. Heater/Sensor Assembly	G1531-61140	1
13. PRT	G1531-60660	1
14. TCD Mounting Pallet	G1532-00030	1
15. Bottom Insulation	G1532-00010	1
16. TCD Seal Insulation	G1532-00080	1

\* For TCDs manufactured before June 1997, order upgrade kit part no. G1532-60540 to replace TCD signal board part no. G1532-60010.

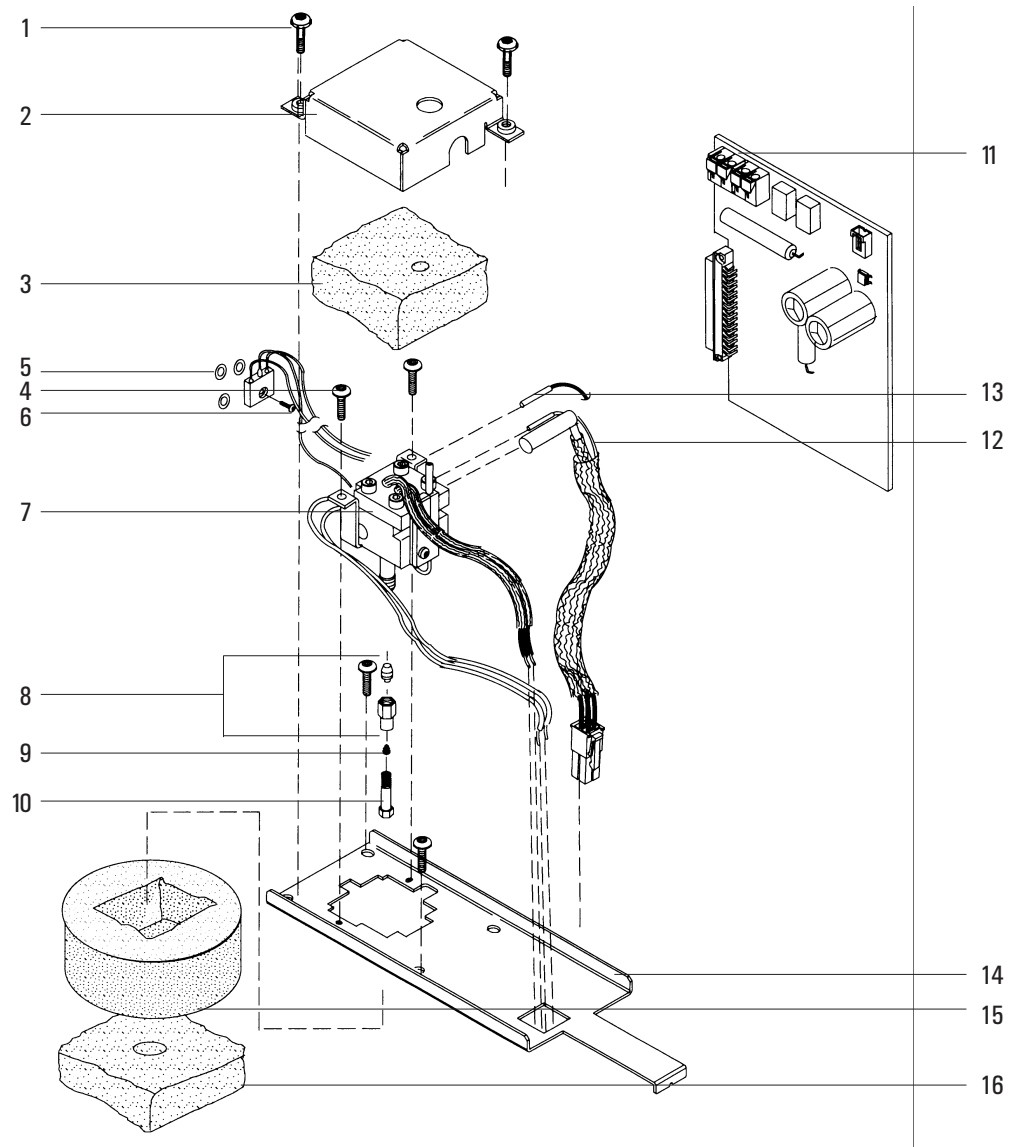


Figure 1320-7 Exploded diagram of the thermal Conductivity Detector