

Item	Description	Part Number	Qty
1	Actuator Assembly (Refer to Figure 5)	19325-60660	1 per valve
2	Screw, M4 x 8 mm	0515-0106	12
3	MS 4 x 0.7 x 16 mm long	0515- 0071	2 per bracket
4	Micrometering Needle Valve Mounting Bracket	18900- 00430	up to 2
5	Valve Box Top	19238-00030	1
6	MS 4 x 0.7 x 8 mm long	0515- 0106	2
7	Insulator	0340-0647	1
8	Insulation Plate	19358-00030	1
9	MS 3 x 0.5 x 20 mm long	0515- 0057	2 per valve
10	Heated Block	19358-20520	2
11	Screw, M3 x 12 mm	0515-0105	2
12	Valves (Refer to Figure 6)		up to 4
13	Rectangular Standoff	19238-20500	2
14	Valve Box Bottom	19238-00010	1
15	Shoulder Screw	19238- 20510	2
16	Socket Head Screw, M4 x 8 mm	0515-0153	2
17	Screw, M3 x 8 mm	0515-0104	4 per heated block
18	Heater/Sensor Cable Assembly, C/O	05890-61140	1 per heated block
19	● Cartridge Heater, 70W (includes contact 1251- 1679)	19231-60620	1
20	● Contact	1251- 1679	2
21	● PRT Sensor (includes contact 1251- 5963)	19231-60660	1
22	● Contact	1251- 5963	2
23	● Flexible Sleeving, (ordered by the inch)	0890-0737	22
24	Hex Standoff, M3 x 16 mm	0380-1102	4 per heated block
Items Not Shown:			
	Column Retaining Bracket	05890- 80660	4
	Tie Wraps	1400- 0249	4
	Adhesive Marker "A"	7120- 5376	1
	Adhesive Marker "1"	7124- 0438	3
	Adhesive Marker "2"	7124- 0439	3
	Adhesive Marker "3"	7124- 0440	3
	Valve Driver Cable	05890- 61350	1

Figure 1. Valve Box Assembly (Sheet 1 of 2).

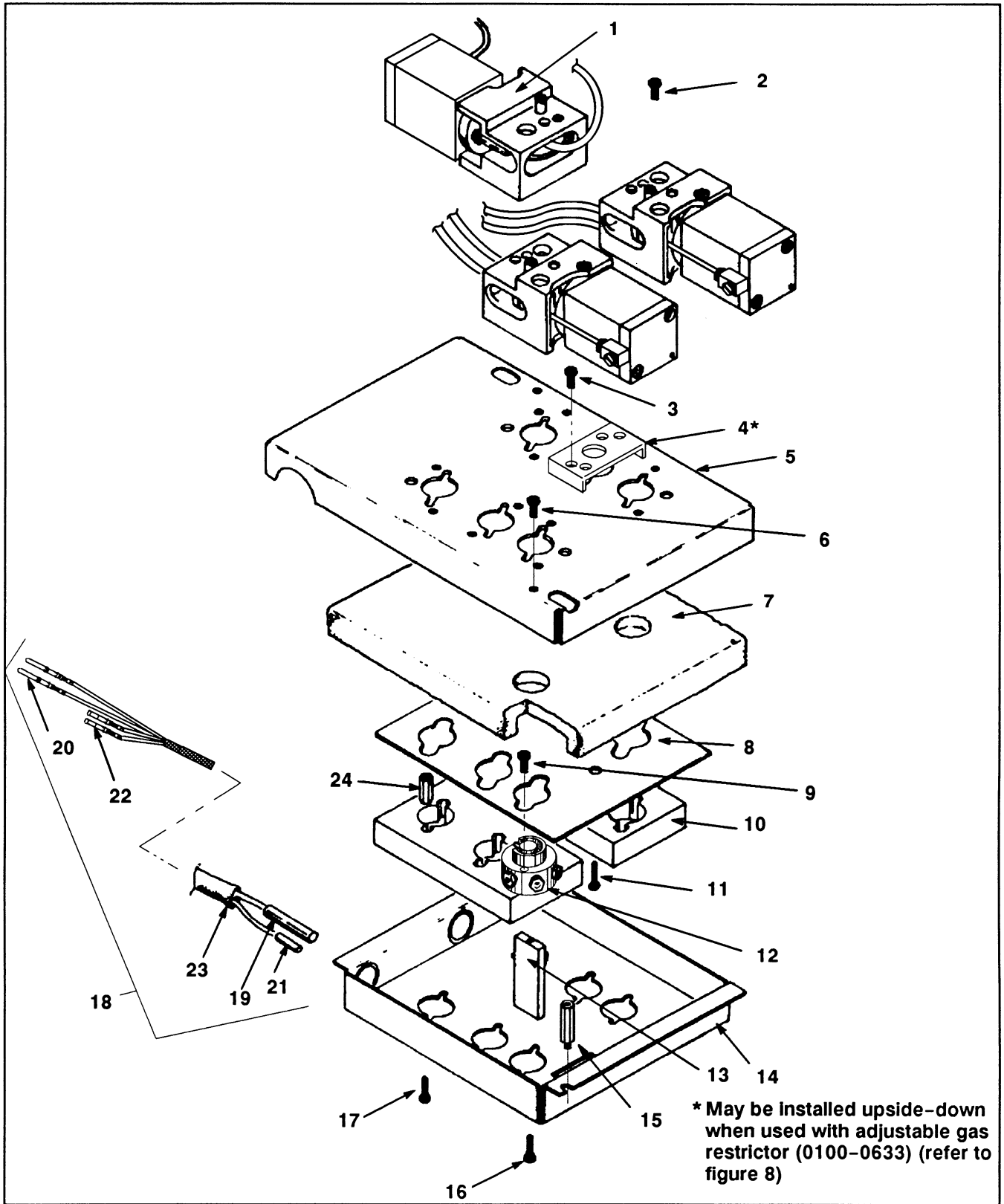


Figure 1. Valve Box Assembly (Sheet 2 of 2).