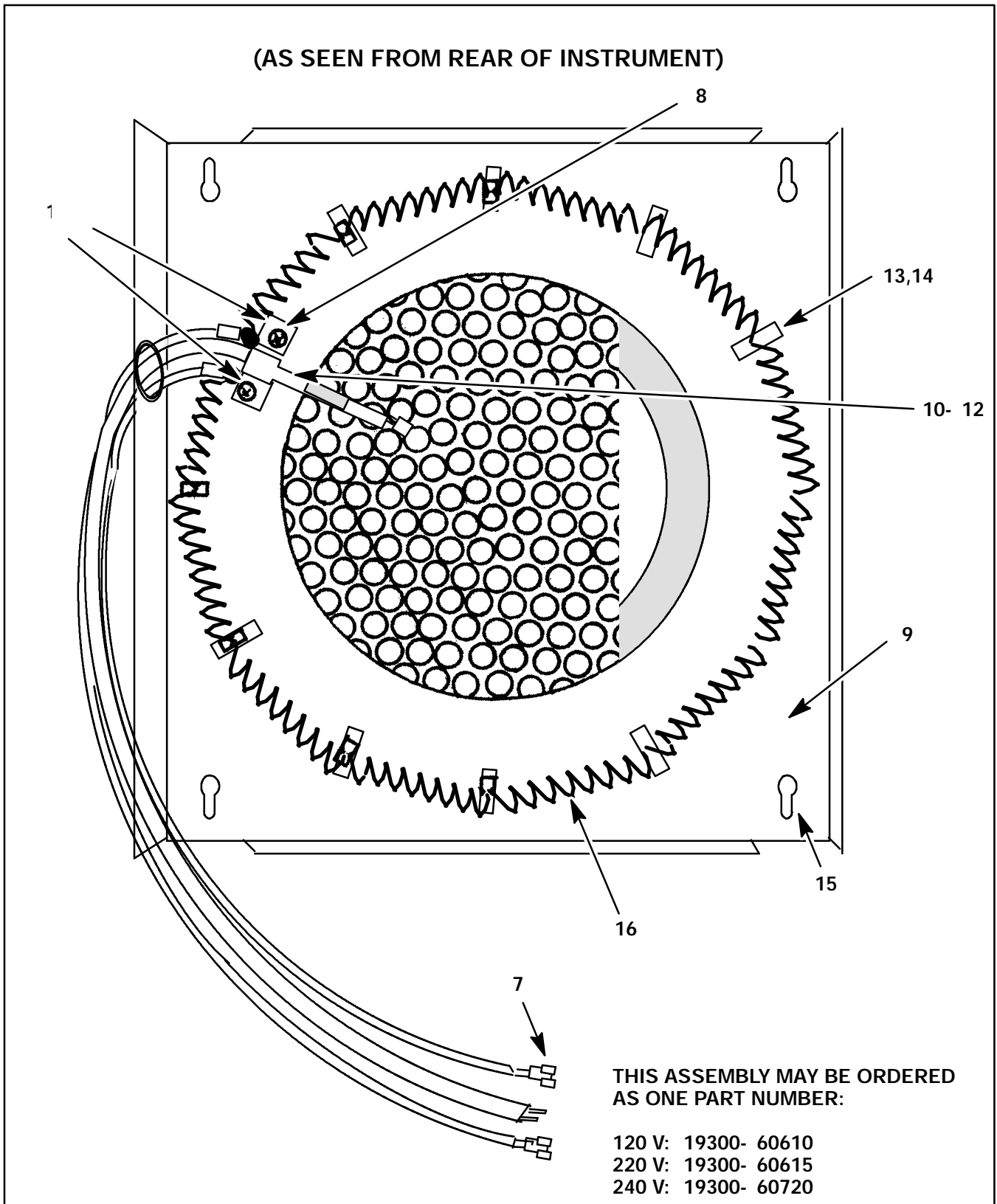


Item	Description	HP Part No.	Qty.
1	Dual Duct Assembly	05890- 80680	1
2	Oven Exhaust Deflector	19247- 60510	1
3	Oven Flap Assy. (Refer to Figure 4)		-
4	Cryogenic Valve (Refer to Figures 5 thru 8)		1
5	Bottom Door Hinge	05890- 00295	1
6	Top Door Hinge	05890- 00285	-
7	Oven Door Latch	05890- 00100	1
8	Oven Motor Assy.		1
	• All Except Japan	05890- 61320	-
	• Japan	05890- 61310	-
9	Oven Door and Shell Assy.	05890- 60835	1
	• Oven Door only	05890- 60815	1
10	Oven Heater Shroud Assy.	05890-61615	1
11	Fan Blade	3160- 0446	1

**Figure 1. HP 5890 Series II Oven Assembly and Associated Components. Page 1 of 3.**

Item	Description	HP Part No.	Qty
1	Screw, 6-32 x 5/16 inch	2360-0195	2
2	Flat Washer	3050-0959	2
3	Heater Elements: (refer to Table 1)		1
4	Heater Leads Assembly	05890-60860	1
5	Hex Nut	2420-0003	2
6	Ceramic Standoff, 1/2-inch long (6- 32 threaded through)	0380-0344	2
7	Contact	0362- 0340	2
8	Contact	0362- 0393	2
9	Shroud	05890- 61150	1
10	Screw, M4 x 8 mm	0515-0106	4
11	PRT/Shroud Clip	05890-00670	1
12	Oven Sensor Assy	05890-61030	1
13	Ceramic Heater Element Insulator	0340-0877	11
14	Insulator Retaining Clip	0510-0593	11
15	Screw	0515- 0106	4
16	Heater Element Wire	no longer avail.	

**Figure 2. Repair Oven Heater Shroud Assembly (Sheet 1 of 2).**



**Figure 2. Repair Oven Heater Shroud Assembly (Sheet 2 of 2).**