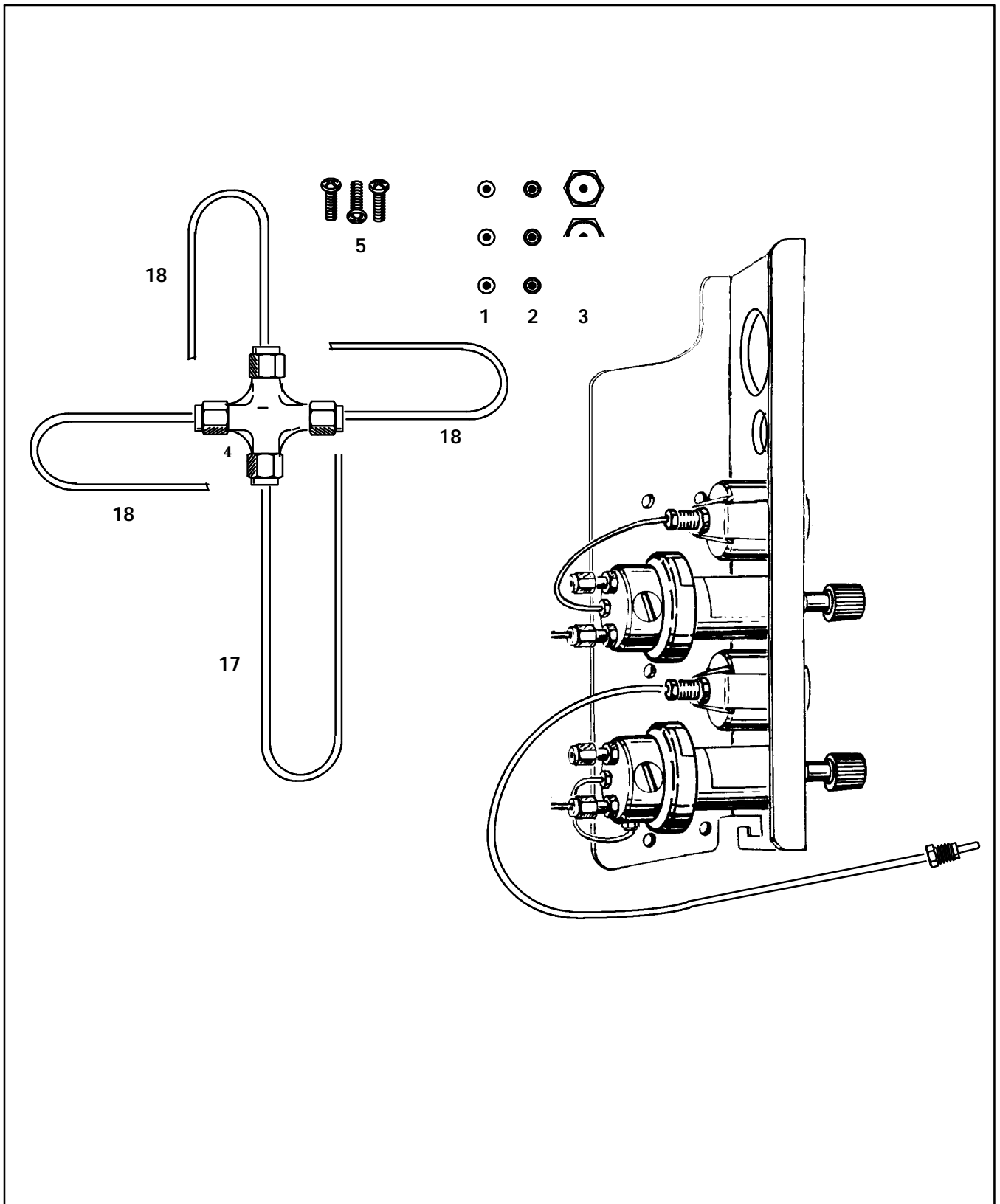


Item	Description	HP Part No.	Qty.
1	Front Ferrule, 1/8-inch T, brass	0100-0032	3
2	Back Ferrule, 1/8-inch T, brass	0100-0036	3
3	Tubing Nut, 1/8-inch, brass	0100-0058	3
4	Tube Union, Cross, 1/8 inch x 4	0100-0161	1
5	Screw, Self-Tapping 8- 16 x 3/4 inch	0624-0665	3
6	Purge Regulator	19232-60620	1
7	TCD-COC Restrictor Assy	19247-60530	1
8	Mounting Bracket	19246-00010	1
9	Pressure Gauge, 0- 15 psi	19246-60520	1
10	Pressure Regulator, 0- 60 psi	19246-60540	1
11	Pipe Plug, 1/8 inch	19361-20770	1
12	Jumper Tube, 200 mm long	19243-80550	1
13	Jumper Tube, 360 mm long	19361-80120	1
14	MFC Restrictor Assy, 0- 20 ml/min	19362-60510	1
15	Pressure Gauge, 0- 60 psi	19363-60500	1
16	Hex Nut, 5/16- 20	2950-0203	1
17	Copper Tubing, 1/8 x 17-1/4 inches	5020-8256	1
18	Copper Tubing, 1/8 x 10-1/4 inches	5020-8262	3
19	O- ring	0905- 1039	6
	package of 12	5180- 4181	-

**Figure 10. Flow-Controlled, On-Column Panel (HP 19247C) (Sheet 1 of 2).**



**Figure 10. Flow-Controlled, On-Column Panel (HP 19247C) (Sheet 2 of 2).**