

7694 Plumbing (EPC version)

	Description	HP Part No.	Qty
1	Pressure transducer board, EPC-ready	41 5-31 2-HSP	1
2	Tube, vent-vent valve	301 -1 70-HSP	
3	Tube, tee—6-port valve	301 -1 64-HSP	1
4	Union, FF 6 MB—5 pc set	325-062-HSP	1
5	Solenoid pressure valve	425-553-HSP	1
6	Reducer, M5	325-455-HSP	4
7	Tube, pressure valve in	301 -1 63-HSP	1
8	Solenoid valve (NIPLOY-KZ), vent	425-554-HSP	1
9	Tube, T-vent valve	301 -1 67-HSP	1
10	Tube, needle—6-port valve, or Tube, needle—6-port valve Silcosteel	301 -1 69-HSP 301 -21 2-HSP	1
11	Needle-assembly Needle-assembly Silcosteel	301 -01 3-HSP 301 -220-HSP	1
12	Zero dead volume union, M5 31 6ss	325-045-HSP	1
13	Tube, T-pressure valve	301 -1 66-HSP	1
14	Loop, sampling 1 cc Ni, or Loop, sampling 3 cc Ni, or Loop, sampling 1 cc Silcosteel, or Loop, sampling 3 cc Silcosteel	321 -055-HSP 321 -056-HSP 321 -058-HSP 321 -059-HSP	1
15	Valve, 6-port MV 65	366-1 02-HSP	1
16	Tube, T-6-port valve	301 -1 68-HSP	1
17	Union, T5 MA	325-1 85-HSP	1
18	Transfer line, standard 80 cm Ni, or Transfer line, optional 1 00 cm Ni, or Transfer line, standard 1 m Silcosteel, or	301 -01 1 -HSP 301 -1 52-HSP 301 -21 1 -HSP	1
19	Needle, transfer line D.7, or Needle transfer line D.5 Needle transfer line Silcosteel D.7 Needle transfer line Silcosteel D.5	301 -01 5-HSP 301 -01 6-HSP 301 -221 -HSP 301 -222-HSP	1
20	Strain relief	301 -205-HSP	1
21	Restrictor, calibrated	321 -002-HSP	1
22	Bulkhead fitting kit	325-024-HSP	2
Associated screws and nuts			
A	Screw, machine 2.9 X 1 0	300-790-HSP	1
B	Washer, nylon 4.8 X 8.0 X 0.5	325-01 9-HSP	2

Silcosteel is a registered trademark of Restek Corp.

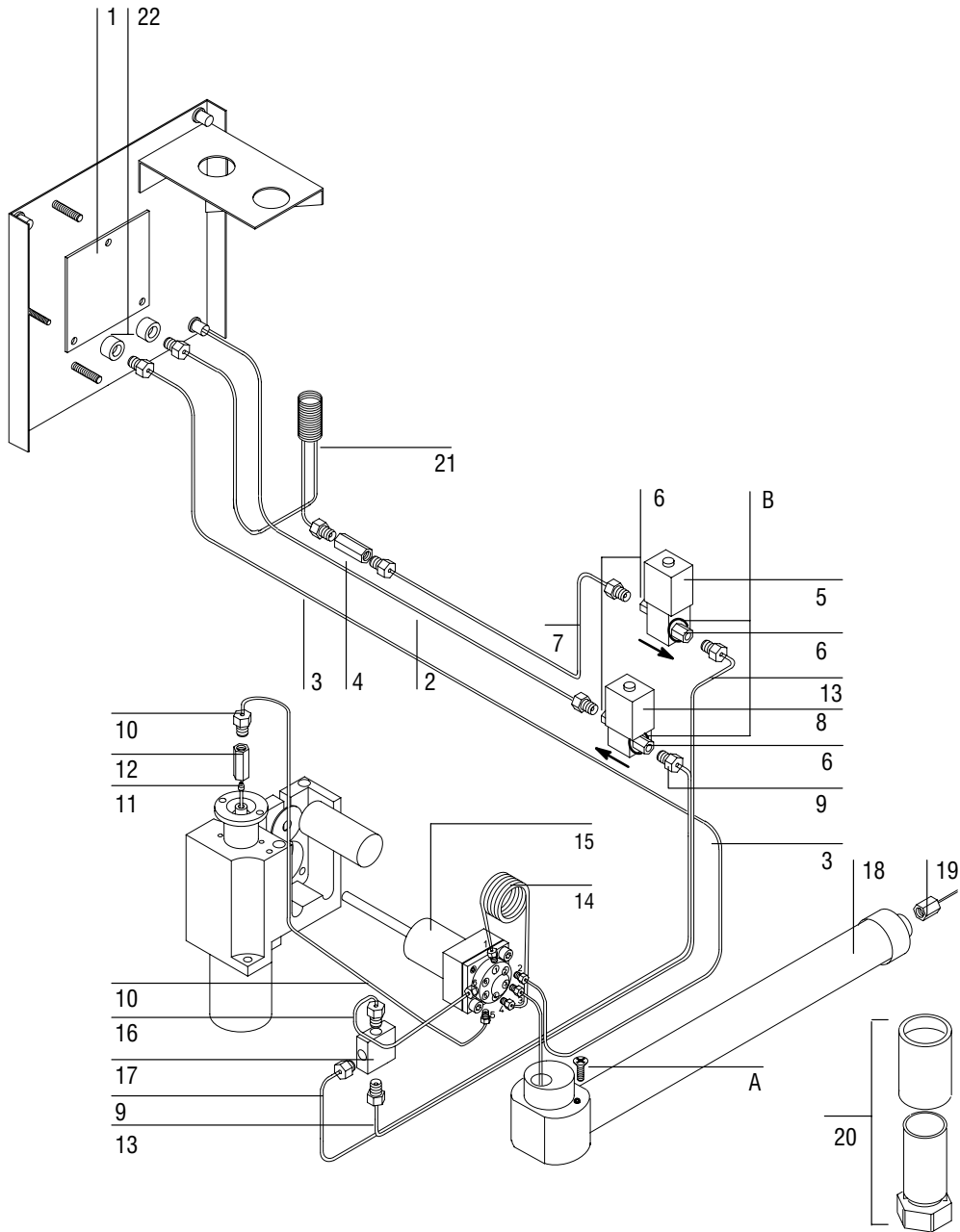


Figure 5-5. Plumbing Diagram (EPC version)