

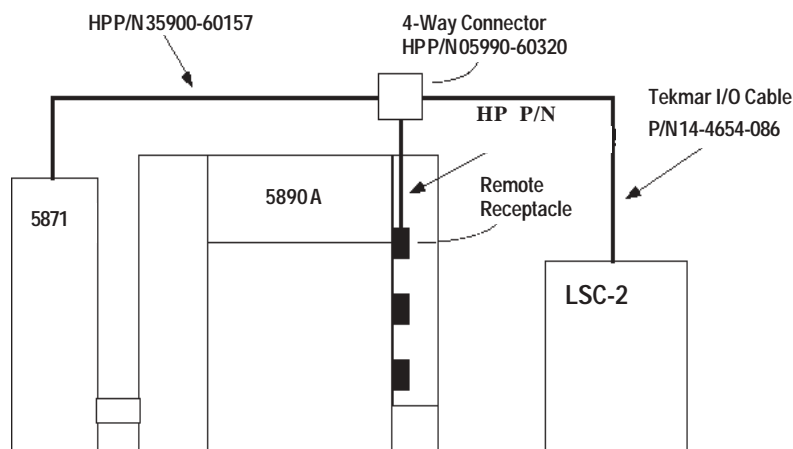
**INSTALLATION INSTRUCTIONS**  
FOR INTERFACE CABLE NO. 14-4654-086  
HEWLETT-PACKARD 5890 GC w/5971 MSD and HP ENGINE GC

This interface cable allows the LSC-2 to operate automatically with an HP Model 5890 GC with 5971 MSD (MS/DOS) and HP Engine GC. It enables the GC to provide a GC READY signal to the LSC-2, permitting it to advance from DESORB READY to DESORB PREHEAT and to start the GC temperature program upon sample injection.

**Connection to the LSC-2**

*Refer to Figure 1 to assist with installation.*

- 1) Connect the spade lugs accordingly to the I/O screw terminals on the rear of the LSC-2



**Figure 1 (Overhead View)**

**Connection to GC**

- 1) Remove the right top instrument cover.
- 2) Connect the 12 pin Amp plug into one of the available receptacles on the 4-way connector board.

**Note: The four-way connector board and attached connection cables are standard with the 5971 MSD. However, they may need to be installed.**

- 3) Coil the cable partially around the strain relief posts and then route it out the rear of the GC.
- 4) Replace the cover.

**Additional Connections (if applicable)**

The cable has a separate two-wire cable. This can be used to externally start peripheral devices. This connection provides a relay closure from the start to the end of DESORB.

- 1) Connect the red wire to T2-1.
- 2) Connect the black wire to T2-2.

If not using this part of the cable, these two connections must not be allowed to touch each other. Either cut them off or use electrical tape to isolate them.

**GC/MS Considerations**

When utilizing this cable with 5971 MSD (MS/DOS), you must press ACQUIRE DATA while in the top level and then select EDIT PARAMETERS. Under INJECTOR CONTROL, select MANUAL.