

Replacing the Stripper Arm

Agilent 7673 Automatic Liquid Sampler

Overview

This manual reviews the procedure for replacing the stripper arm assembly of the 18593B or G1513A injector module.

Kit Contents

Check that the following parts are in the Replacement Stripper Arm Kit (part number 07673-61300):

- One stripper arm assembly
- Two screws to attach stripper arm bracket

Required Tools

You will need the following tools to complete this repair:

- No. 2 Point Pozidriv screwdriver

Steps

There are two general steps to this repair:

- Removing the stripper arm
- Installing the replacement stripper arm



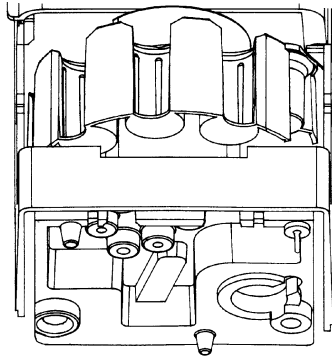
Agilent Technologies

Caution

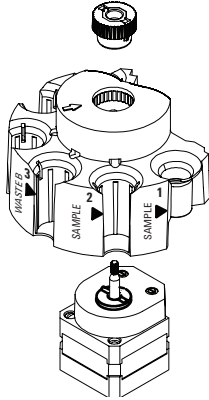
When removing the stripper arm, be careful with the delicate paddle switch that is attached to the backplate just above the stripper arm bracket.

Removing the stripper arm

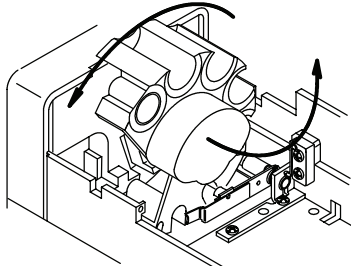
1. Before removing the injector, turn “OFF” the controller module.
2. Unplug the injector cable from the back of the controller module.
3. Remove the syringe, and then remove the injector from the mounting bracket.
4. Place the injector on its back with the base facing you.



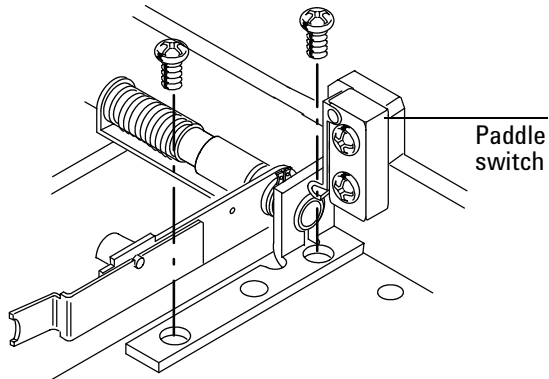
- a. Remove the injector turret (G1513A).



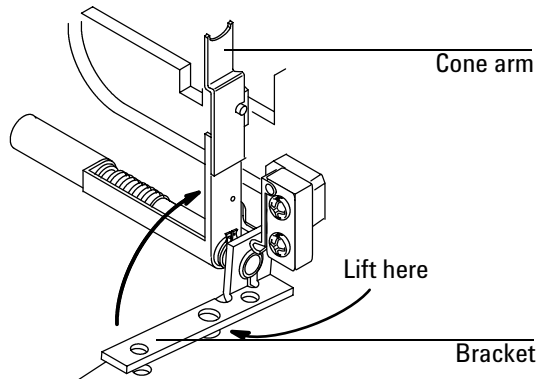
- b. Remove the injector turret (18593B).



5. With a No. 2 Point Pozidriv screwdriver, remove the two screws that hold the stripper arm bracket to the backplate.



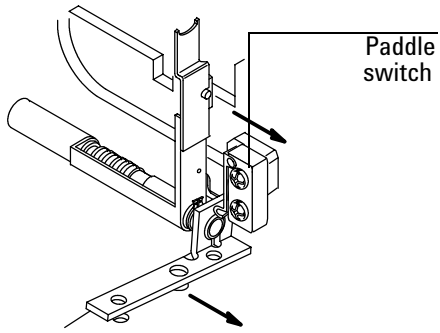
6. With your left hand, hold the stripper arm so that it is pointing up. With your right hand, lift up on the bracket.



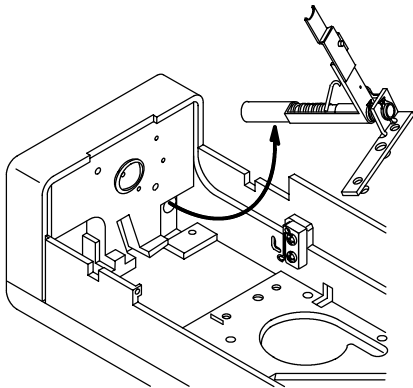
Caution

Be careful with the delicate paddle switch that is attached to the backplate above the stripper arm bracket when removing the stripper arm.

7. Gently push the bracket and stripper arm against the paddle switch.

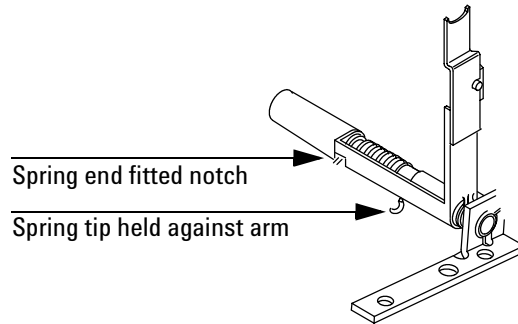


8. Gently lift both the stripper arm and bracket away from the backplate.

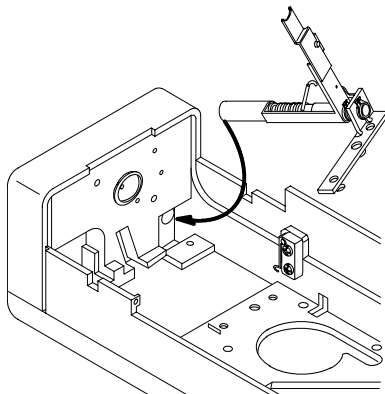


Installing the stripper arm

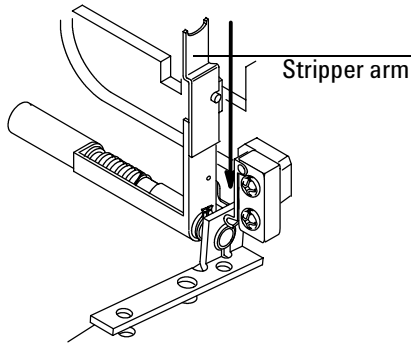
1. Place the stripper arm bracket over the top of the stripper arm. Check that the spring is oriented as shown below.



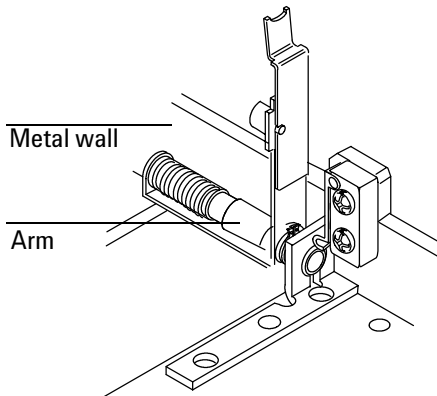
2. Hold the stripper arm with your left hand and the bracket with your right hand. Lower the base of the stripper arm into the back corner of the base of the injector.



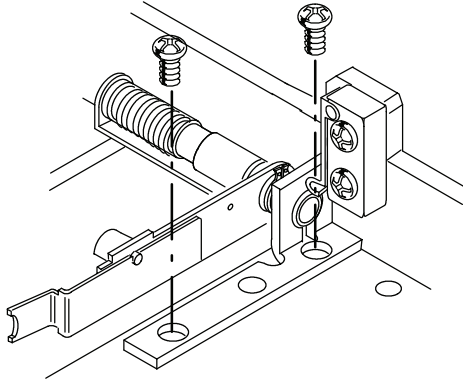
3. Gently slide the bracket and the top of the stripper arm between the base and the paddle switch.



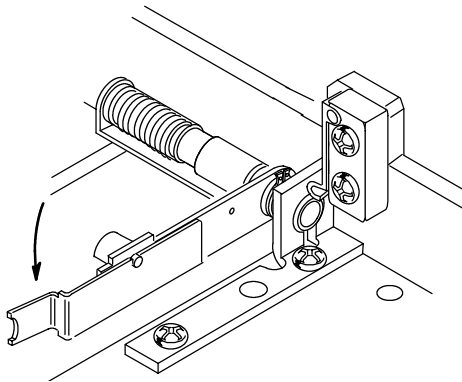
4. Make sure the spring is oriented as shown in step 1. The spring tip should be held firmly between the metal wall and the arm.



5. Attach the bracket to the backplate with two screws.



6. Verify the installation by gently pushing the stripper arm toward the backplate. It is installed properly if the stripper arm springs back to its original position.



7. Reinstall the turret and the syringe, then remount the injector.



Agilent Technologies

© Agilent Technologies, Inc. 2001
2850 Centerville Road
Wilmington, DE 19808-1610

Replaces part number 07673-90410.
Printed in USA OCT 2001



07673-90417