

Autosampler Parts ID

Table 38-1. Autosampler/TCAS Parts

Item	Description	Part Number
1	Magazine Assembly	79847-60005
2	Cover ¹	79847-04102
3	Screw	0515-1508
4	Screw	0515-0539
5	Collar	79847-22308
6	Spring	1460-2076
7	Collar	79847-22309
8	Screw	0515-1115
9	Washer	3050-0893
11	Carriage Rail	79847-48902
12	Carriage Rack	79847-48901
13	Magazine Holder #1	79847-43701
14	Magazine Holder #2	79847-43702
15	Magazine Holder #3	79847-43703
16	Magazine Holder #4	79847-43704
17	Magazine Holder #5	79847-43705
18	Magazine Holder #6	79847-43706
19	Magazine Holder #7	79847-43707
20	Magazine Holder #8	79847-43708
21	Magazine Holder #9 ¹	79847-43709
22	Magazine Holder #0	79847-43700
23	Pin	1480-0531
24	Gear Belt	1500-0635
25	Nut	79847-21702
26	Screw	0515-1105
27	CPS Lightswitch	79847-66502
	CPS Lightswitch <i>TCAS</i>	79847-66510

¹ Not used in TCAS.

Autosampler and Temperature-Controlled Autosampler

Table 38-1. Autosampler/TCAS Parts (continued)

Item	Description	Part Number
28	Screw	0515-1508
29	Insert	0380-0003
30	Screw	0515-0153
31	Carriage Motor Assembly	79847-67901
32	MIP Lightswitch	79847-66503
	MIP Lightswitch <i>TCAS</i>	79847-66511
33	Magazine Motor Assembly	79847-67902
34	SCO Board	79847-66501
36	VCS Lightswitch	79847-66504
	VCS Lightswitch <i>TCAS</i>	79847-66504
37	Screw	0515-1105
38	Insert	0380-0003
39	Screw	0515-0886
40	Drive Frame	79847-00503
41	Gear Assembly, consists of:	
	Block	79847-21201
	Gear	79847-42502
	Pin	1480-0531
42	Guide Rod	1500-0511
43	Driver	79847-45001

Autosampler and Temperature-Controlled Autosampler

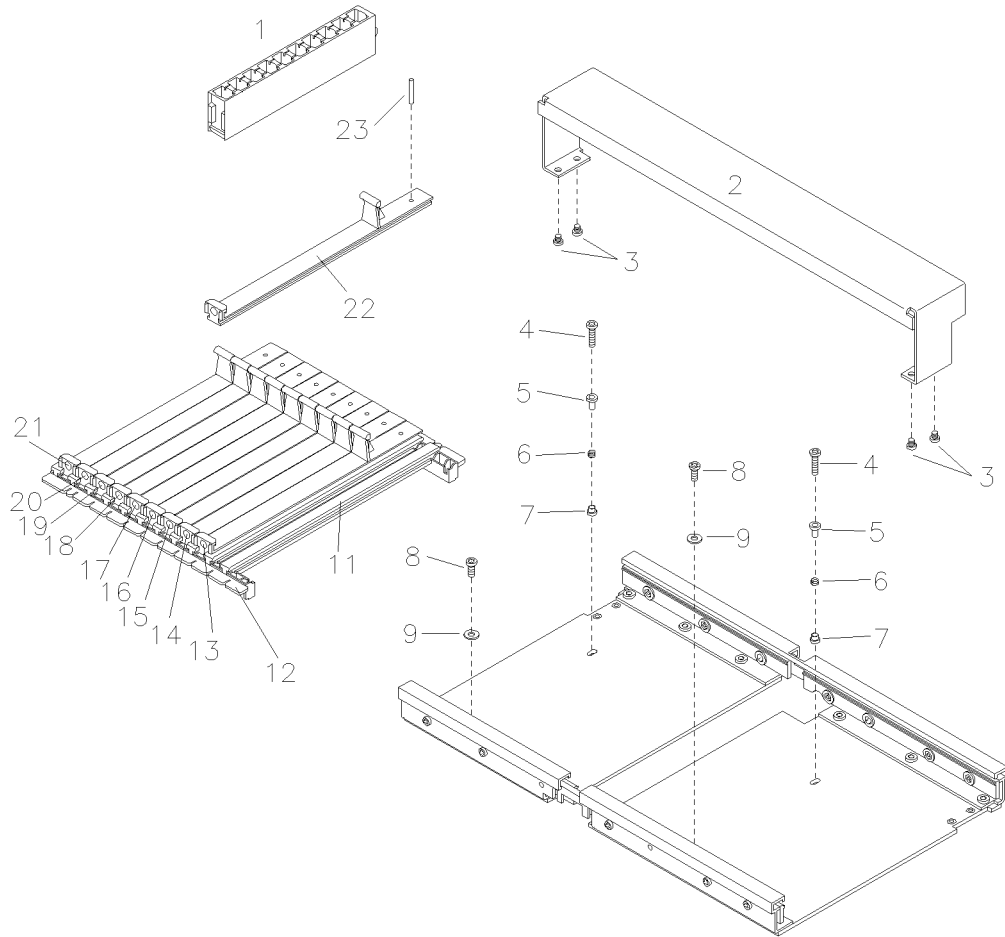


Figure 38-1. Exploded View

Autosampler and Temperature-Controlled Autosampler

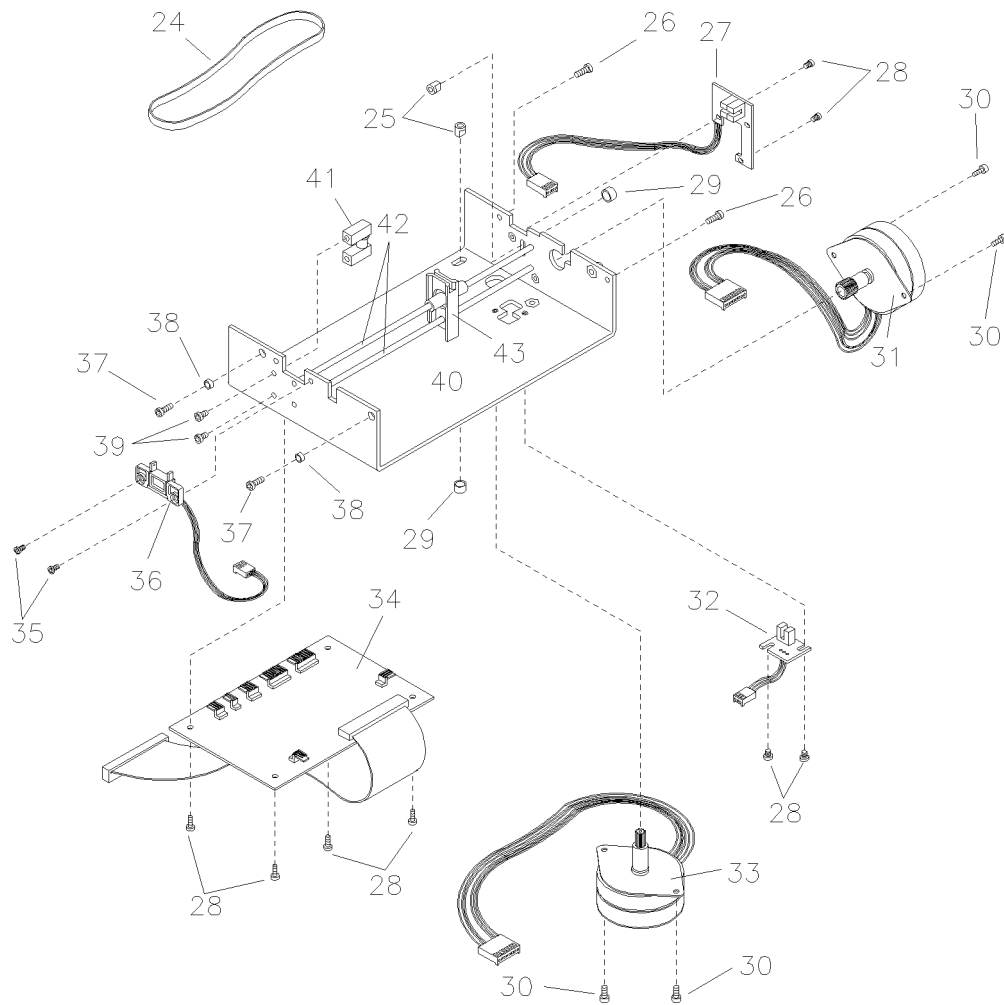


Figure 38-2. Exploded View