

Pump Head Assembly with Seal Wash Option

Table 21 Pump Head Assembly with Seal Wash Option

Item	Description	Part Number
	Complete assembly, including parts marked with *	G1311-60005
1*	Sapphire plunger	5063-6586
2*	Plunger housing (including spring)	G1311-60002
3*	Support ring, seal wash	5062-2465
4*	Secondary seal	0905-1175
5*	Wash tube (1.0 m)	0890-1764
6*	Gasket, seal wash (pack of 6)	5062-2484
7*	Seal keeper	5001-3743
8*	Seal (pack of 2) or Seal (pack of 2), for normal phase applications	5063-6589 0905-1420
9*	Pump chamber housing	G1311-25200
10	Active inlet valve	G1312-60010
	Replacement cartridge for active inlet valve	5062-8562
11	Outlet ball valve (complete with cartridge)	G1311-60012
12*	Screw lock	5042-1303
13	Purge valve	G1311-60009
14*	Screw M5, 60 mm lg	0515-2118
15*	Seal wash pump assembly	5065-9953
	Seal wash upgrade kit (see page 187)	01018-68722

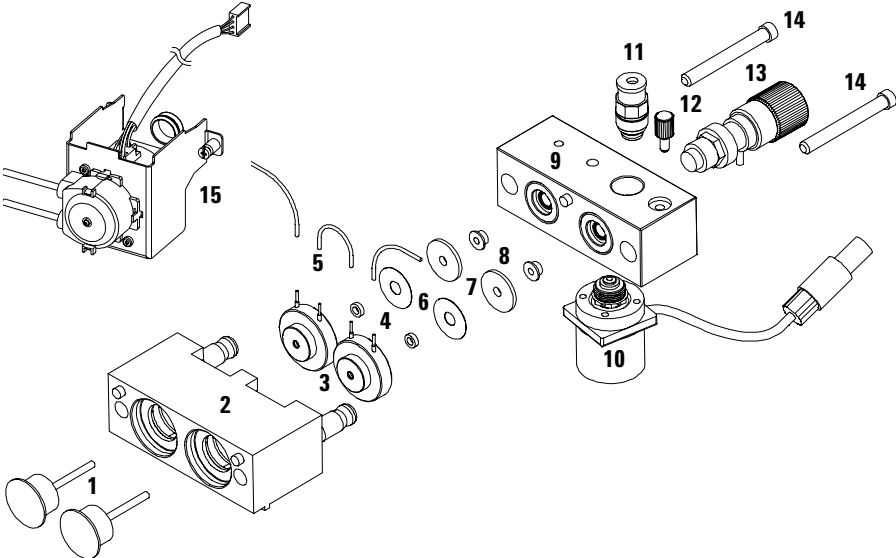


Figure 40 Pump Head with Seal Wash Option