

Semi-Micro Flow Cell**Semi-Micro Flow Cell****Table 12****Semi-Micro Flow Cell Parts**

Item	Description	HP Part Number
	Semi-micro flow cell assembly, 6 mm, 5 μ l, maximum pressure 120 bar	G1315-60011
1	Window screw	79883-22402
2	Spring washers, pack of 10	5062-8553
3	Compression washer	79883-28801
4	Window holder	79883-22301
5	Quartz window	1000-0488
6	Gasket BACK (Teflon), 1.8 mm hole, outlet side	See kits below
7	Gasket FRONT (Teflon), 1.3 mm hole, inlet side	See kits below
8	Window assembly, comprises item 1, 2, 3, 4, 5	No part number
9	Capillary IN (0.12 mm, 290 mm lg) including heat exchanger	G1315-87325
10	Capillary OUT (0.12 mm, 200 mm lg)	G1315-87306
11	Clamp unit	G1315-84901
	Screw M 2.5, 4 mm lg for cell body/clamp	0515-1056
	Zero dead volume fitting	0100-0900
	Cell repair kit semi-micro, includes window screw kit, 4 mm hexagonal wrench and seal kits	G1315-68713
	Seal kit BACK for semi-micro flow cell, qty=12 of item 6	79883-68702
	Seal kit FRONT for semi-micro flow cell, qty=12 of item 7	G1315-68710
	Window screw kit, includes 2 quartz windows, 2 compression washers, 2 window holders, 2 window screws and 10 spring washers	79883-68703

Identifying Parts and Materials
Semi-Micro Flow Cell

Figure 40 **Semi-Micro Flow Cell Parts**

NOTE
 Gaskets # 6 and #7 have different hole diameters.

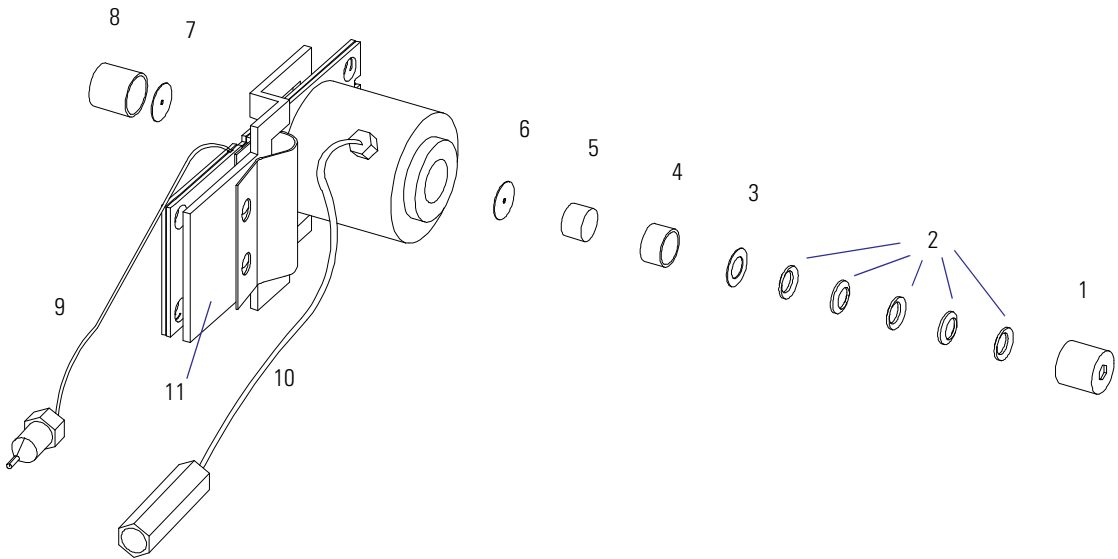


Figure 41 **Orientation of Spring Washers**

- 1 - window screw
- 2 - spring washers
- 3 - compression washer
- 4 - window holder
- 5 - quartz window
- 6 - Gasket

