

| Item | Description | HP Part No. | Qty. |
|------|---|-------------|------|
| 1 | Flow (Left) Side Panel Door | 05890-40135 | 1 |
| 2 | Flow (Left) Side Panel | 05890-40105 | 1 |
| 3 | Injection Ports: (Refer to Section 5) | | 2 |
| 4 | Detectors: (Refer to Section 2) | | 2 |
| 5 | Electronic Flow Sensor (EFS) (optional; not compatible with PCOC Electronic Pressure Control) | 19237-60500 | 1 |
| 6 | Flow Carrier | 05890-40170 | 1 |
| 7 | Screw, M4 x 0.7 x 20mm | 0515-0982 | 2 |
| 8 | Flow Bezel | 05890-40065 | 1 |
| 9 | Flow Mounting Panel | 05890-00210 | 1 |
| 10 | Detector Flow Manifold (Refer to Section 3) Blocks: | | 2 |
| 11 | Cryogenic Valve (Refer to Section 6) | | 1 |
| 12 | Flow Bezel Detector Label Plate (self adhesive): | | 1 |
| | • Blank Detector Plate | 05890-90715 | - |
| | • FID/AUX Label Plate | 19231-90715 | - |
| | • TCD/AUX Label Plate | 19232-90715 | - |
| | • ECD/AUX Label Plate | 19233-90725 | - |
| | • ECD/AUX Series II Label Plate | 19233-90815 | - |
| | • NPD/AUX Label Plate | 19234-90715 | - |
| | • FPD/AUX Label Plate | 19256-90705 | - |
| 13 | Flow Bezel Injector Label Plate (self adhesive): | | 1 |
| | • Blank Injection Plate | 05890-90705 | - |
| | • Packed Column Inlet Label Plate | 19243-90705 | - |
| | • Purged Packed Inlet | 19243-90715 | - |
| | • Split/Splitless Capillary Inlet | 19244-90705 | - |
| | • PCOC/MPC Inlet Label Plate | 19245-90705 | - |
| | • PCOC/EPC Inlet Label Plate | 19245-90715 | - |
| 14 | Injection Port Flow (Refer to Section 4) Modules: | | 2 |
| 15 | Screw, Thrd Self Tapping | 0624-0665 | 10 |
| 16 | PCOC Electronic (Refer to Section 4) Pressure Control (optional; not compatible with Electronic Flow Sensor (EFS)) | | 1 |
| 17 | Chemical Filter Assy. (Molecular Sieve) (optional) | 05890-61260 | 1 |
| 18 | Filter Bracket | 05890-00810 | 1 |
| 19 | O-ring (pkg. 10) | 5180-4181 | 1 |

Figure 1. HP 5890 Series II Top Assembly (Sheet 1 of 6).

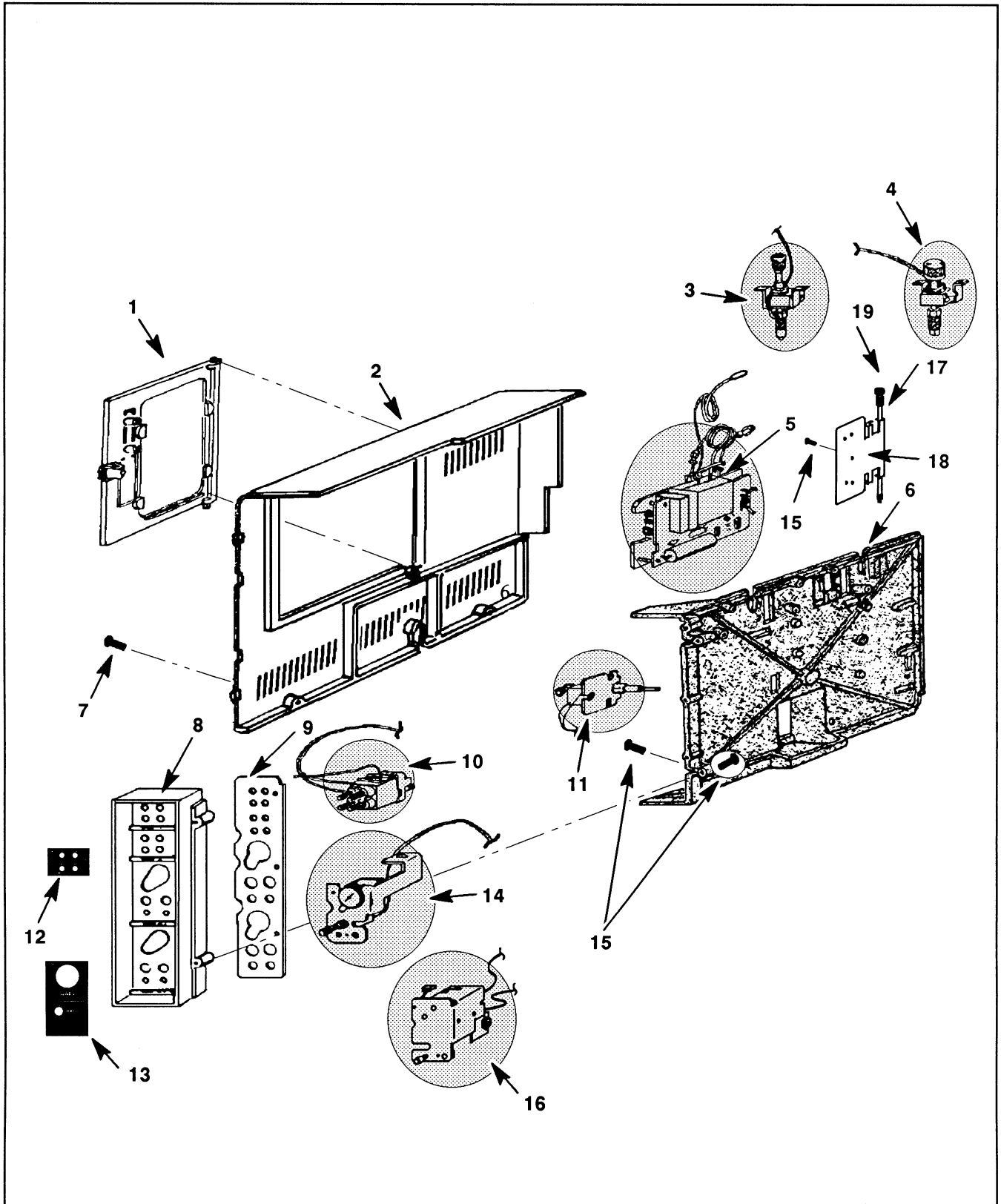


Figure 1. HP 5890 Series II Top Assembly (Sheet 2 of 6).

| Item | Description | HP Part No. | Qty. |
|------|--|--------------|------|
| 20 | Injection Port Cover | 05890- 40072 | 1 |
| 21 | Lid Shaft | 05890- 20780 | 1 |
| 22 | Top Cover: | | 1 |
| | ● Series II Top Cover (Series II only) | 05890- 00405 | - |
| | ● Series II Upgrade Cover (Series I only) | 05890- 00402 | - |
| | ● GC Special (to accommodate fourth actuator in valve box) | 05890- 00401 | - |
| | ● 5921A Lid | 05890- 00920 | - |
| | ● Manual Valves Lid | 05890- 00940 | - |
| | ● FPD Lid | 19256- 00075 | - |
| | ● FPD/Manual Valve Lid | 18900- 00843 | - |
| 23 | Washer, Flat | 3050- 1178 | 2 |
| 24 | Screw, Pan- Head | 0515- 0904 | 2 |
| 25 | Oven Exhaust Deflector | 19247- 60510 | 1 |
| 26 | Rear Cover Assy. | 05890- 00395 | 1 |
| - | Rear Cover Assy. (with optional HPIB/RS- 232 cutout) | 19257- 00035 | - |
| 27 | Valve Box Top (Refer to Section 7) | | 1 |
| 28 | Valve Box Bottom (Refer to Section 7) | | 1 |
| 29 | Injector/Detector Blank Cover Plate | 05890- 00680 | 4 |
| 30 | Valve Box Opening Blank Cover Plate | 19300- 01230 | 1 |
| 31 | Valve Solenoids (Refer to Section 7) | | - |
| 32 | Dual Duct Assembly | 05890- 80680 | 1 |
| 33 | Valve Driver Board (optional) | 19238- 60010 | 1 |
| 34 | Oven Flap Assy. (Refer to Section 6) | | 1 |
| 35 | Cable Tray | 05890- 40200 | 1 |
| 36 | Bezel, Front | 05890- 40242 | 1 |
| 37 | Screw, Pan- Head | 0515- 0910 | 3 |
| 38 | Bottom Door Hinge | 05890- 00295 | 1 |
| 39 | Top Door Hinge | 05890- 00285 | 1 |
| 40 | Oven Motor Assy., 120 V | 05890- 61310 | 1 |
| - | 240 V | 05890- 61320 | - |
| 41 | Oven Door and Shell Assy. | 05890- 60835 | 1 |
| | ● Oven Door only | 05890- 60815 | 1 |
| 42 | Oven Door Latch | 05890- 00100 | 1 |
| 43 | Power Cords: | | 1 |
| | ● USA, 120 V | 05890- 60870 | - |
| | ● Europe, 220 V | 05890- 60880 | - |
| | ● Great Britain, 220 V/240 V | 05890- 60890 | - |
| | ● Australia, 240 V | 05890- 60910 | - |
| | ● Europe, Split- Phase, 220 V | 05890- 60960 | - |
| | ● USA, 240 V | 05890- 60900 | - |
| | ● Japan, 200 V | 05890- 60920 | - |
| | ● China, 220 V | 05890- 60910 | - |
| | ● Denmark, 220 V | 05890- 60880 | - |
| | ● Switzerland, 220 V | 05890- 60880 | - |
| | ● S. Africa, 240 V | 05890- 60890 | - |
| 44 | Oven Heater Shroud Assy. (Refer to Section 6) | | 1 |
| 45 | Fan Blade, Standard | 3160- 0446 | 1 |
| - | Fan Blade, Stainless Steel | 05890- 80270 | - |
| 46 | AC Power Supply Ground Wire | 19350- 60670 | 1 |
| 47 | AC Power Supply (Refer to Section 8) | | 1 |
| 48 | AC Power Supply Base | 05890- 00240 | 1 |
| 49 | Base | 05890- 40160 | 1 |
| 50 | Foot (self- adhesive) | 0403- 0424 | 4 |
| 51 | Oven/Base Shield | 05890- 00700 | 1 |
| 52 | Series II logo plate on oven bezel | 05890- 91000 | 1 |
| 53 | Inlet Cooling Fan Assembly (Refer to Section 5) | | 1 |

Figure 1. HP 5890 Series II Top Assembly (Sheet 3 of 6).

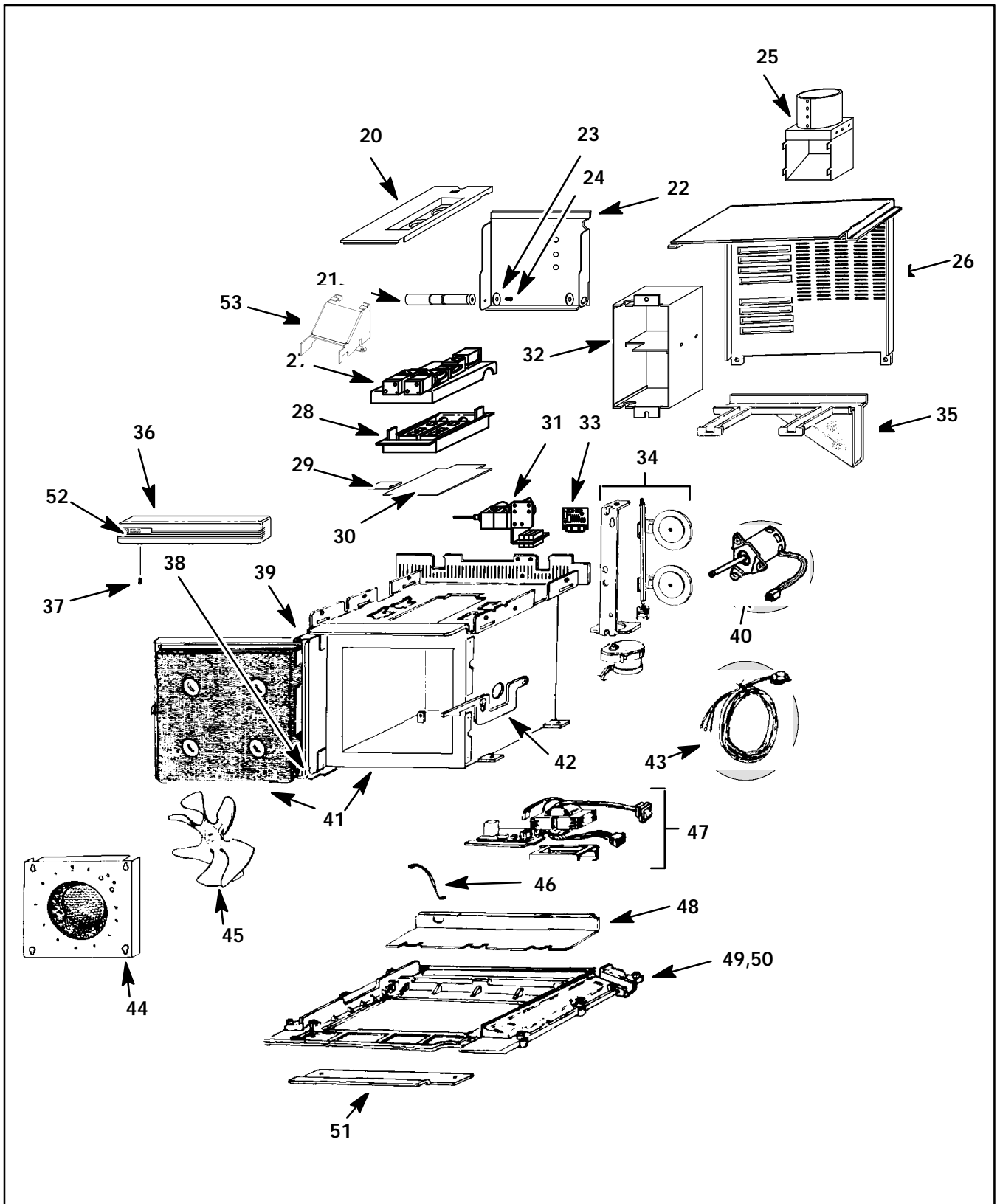


Figure 1. HP 5890 Series II Top Assembly (Sheet 4 of 6).

| Item | Description | HP Part No. | Qty. |
|------|---|----------------|------|
| 54 | Keyboard Assembly | 05890- 61365 | 1 |
| 55 | ● Keyboard Bezel | 05890- 60745 | 1 |
| 56 | ● Keyboard Connector Element | 1252- 0001 | 1 |
| 57 | ● Keyboard Connector Body | 05890- 40080 | 1 |
| 58 | ● Display PCB | 05890- 60035 | 1 |
| 59 | Electronics Carrier Top Cover | 05890- 40125 | 1 |
| 60 | Electronics Carrier | 05890- 40185 | 1 |
| 61 | Main Printed Circuit Board (PCB) (Refer to Section 9) | 05890- 60015 | 1 |
| 62 | Pressure Control PCB: | | 1 |
| | ● Manual Pressure Control | 19245- 60040 | - |
| | ● Electronic Pressure Control | 19245- 60020 - | - |
| 63 | Communications Interface PCB: | | 1 |
| | ● BUFFERED INET Interface | 19242- 60015 | - |
| | ● Non- BUFFERED INET Interface | 19242- 60010 | - |
| | ● RS- 232 | 19242- 60030 | - |
| | ● HPIB/RS- 232 Interface | 19257- 60010 | - |
| 64 | High Voltage Cover | 05890- 40150 | 1 |
| 65 | Electronics Bezel | 05890- 40145 | 1 |
| 66 | Electronics Bezel Label Plates (self- adhesive): | | 2 |
| | ● Blank Label Plate | 19234- 90725 | - |
| | ● NPD "A" Label Plate | 19234- 90735 | - |
| | ● NPD "B" Label Plate | 19234- 90745 | - |
| 67 | Screw, Thrd Cting | 0624- 0665 | 6 |
| 68 | Screw, Ground M4 x .7 x 45 | 0515- 0964 | 1 |
| 69 | Screw, Self- Tapping 8.32 x .5 | 0624- 0596 | 6 |
| 70 | Detector PCB: | | 2 |
| | ● FID | 19231- 60010 | - |
| | ● NPD | 19234- 60010 | - |
| | ● ECD (spec. and gen. license) | 19233- 60010 | - |
| | ● ECD Series II (spec. and gen. license) | 19233- 60015 | - |
| | ● TCD | 19232- 60010 | - |
| | ● TCD Series II | 19232- 60020 | - |
| | ● FPD | 19256- 60010 | - |
| | ● ANALOG INPUT PCB | 19261- 60010 | - |
| 71 | Screw, Machine M4 x .7 x 12 | 0515- 0909 | 2 |
| 72 | Right Side Panel | 05890- 40115 | 1 |
| 73 | Screw, Machine M4 x .7 x 20 | 0515- 0982 | 2 |
| 74 | Paint, Spray: | | |
| | ● Dove Grey (for Series II mainframe) 6.5 oz. | 6010- 1146 | - |
| | ● Pearl Grey (for Series I mainframe) 6.5 oz. | 6010- 0695 | - |
| | ● Cobblestone Grey (for Series II panel label plates, keyboard) 6.5 oz. | 6010- 1150 - | - |
| | ● Cocoa Brown (for Series II panel label plates, keyboard) 6.5 oz. | 6010- 0694 - | - |
| | ● Cocoa Black (for Series I door lettering) | 6010- 0927 | - |
| 75 | Ink, Charcoal Black (for Series II door lettering) | 6009- 0158 | - |

Figure 1. HP 5890 Series II Top Assembly (Sheet 5 of 6).

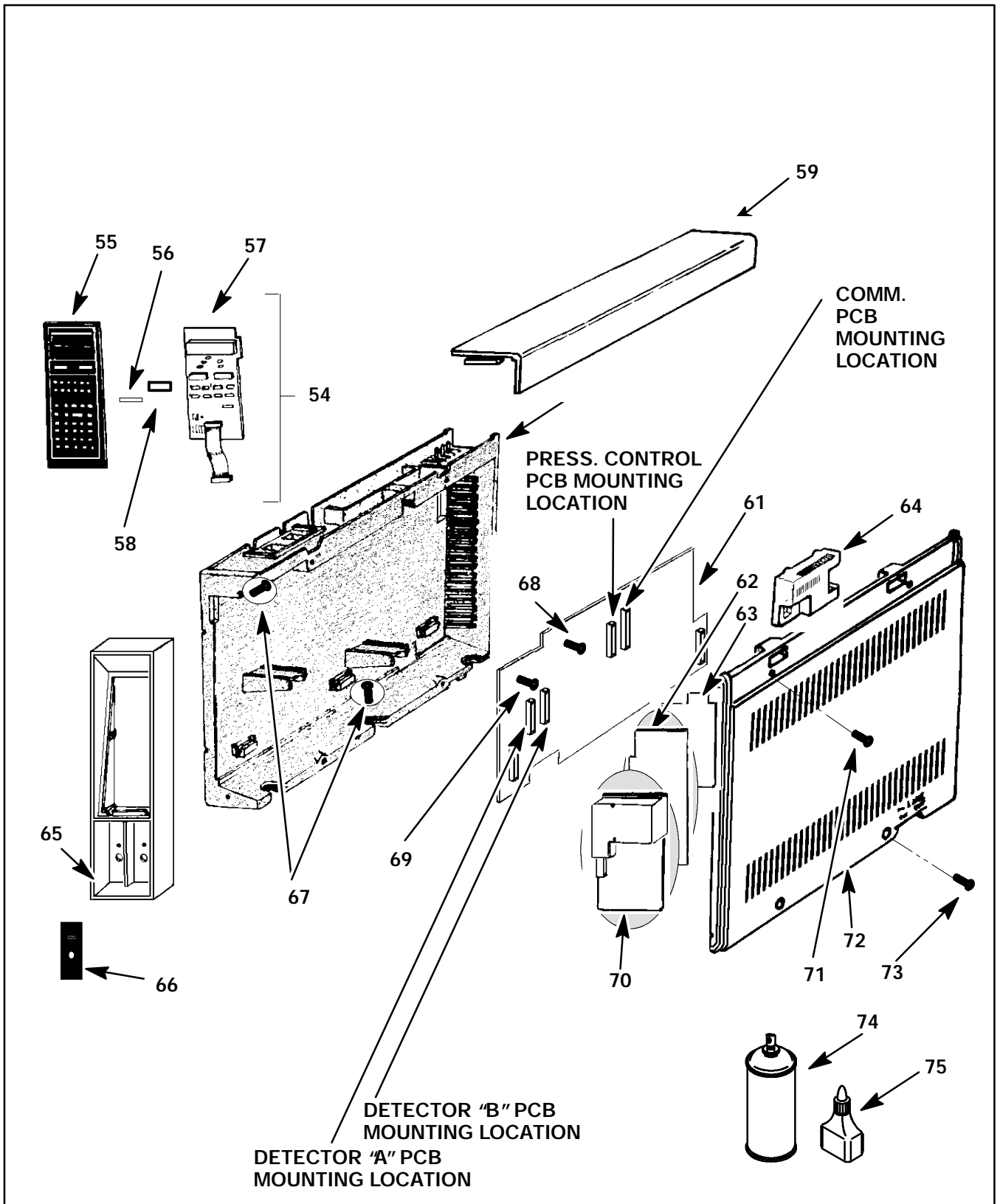


Figure 1. HP 5890 Series II Top Assembly (Sheet 6 of 6).