

Item	Description	HP Part No.	Qty.
1	AC Power Supply (Refer to Figure 2)		1
2	AC Power Supply Ground Wire	19350- 60670	1
3	Power Cords:		1
	● USA, 120 V	05890- 60870	-
	● Europe, 220 V	05890- 60880	-
	● Great Britain, 220 V/240 V	05890- 60890	-
	● Australia, 240 V	05890- 60910	-
	● Europe, Split- Phase, 220 V	05890- 60960	-
	● USA, 240 V	05890- 60900	-
	● Japan, 200 V	05890- 60920	-
	● China, 220 V	05890- 60910	-
	● Denmark, 220 V	05890- 60880	-
	● Switzerland, 220 V	05890- 60880	-
	● S. Africa, 240 V	05890- 60890	-
4	AC Power Supply Base	05890- 00240	1

Figure 1. AC Power Components (Sheet 1 of 2).

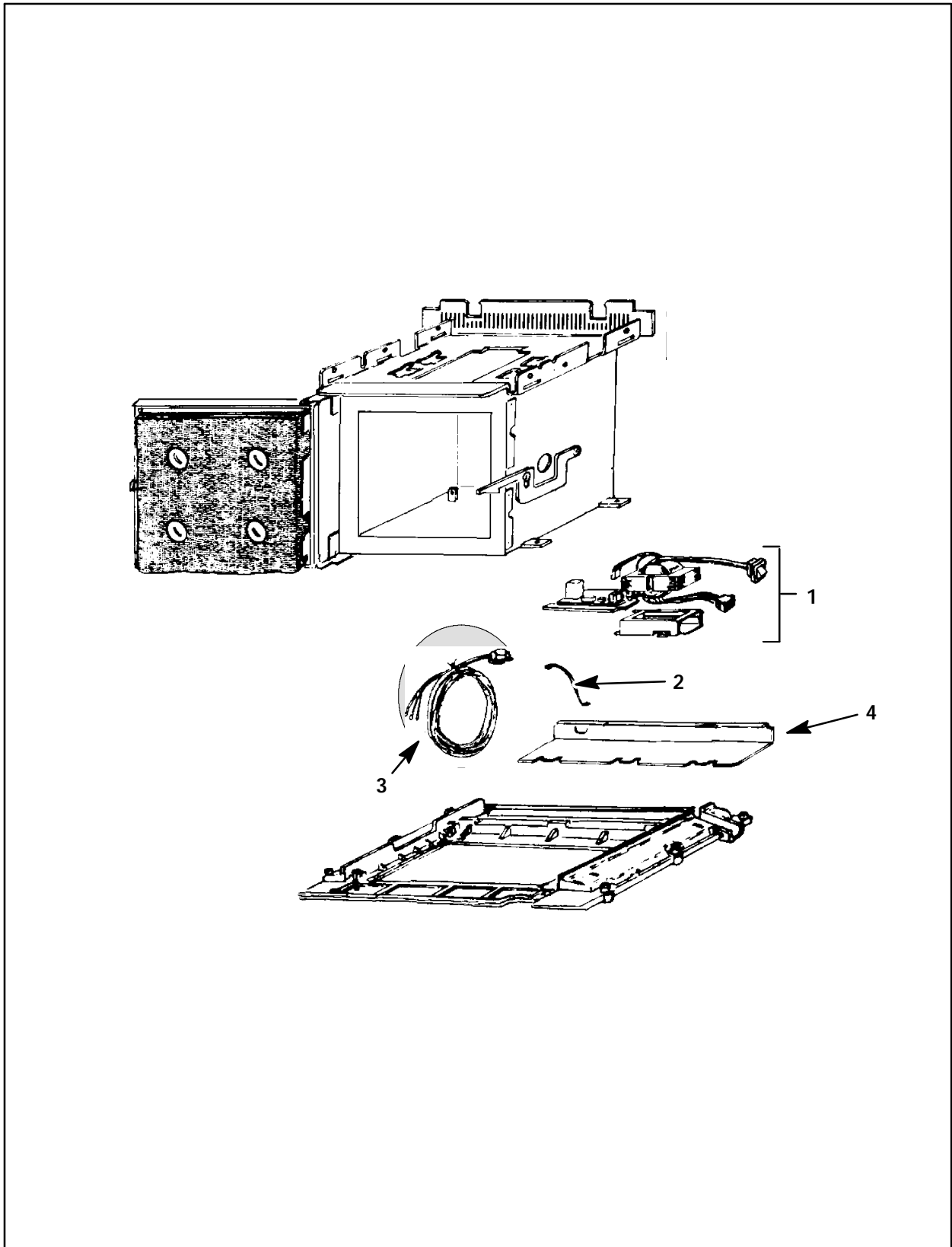


Figure 1. AC Power Components (Sheet 2 of 2).

Item	Description	HP Part No.	Qty.
1	DPST Rocker Switch (Power Switch)	3101- 0402	1
2	Nut/Lock Washer	0535- 0043	7
3	Screw	0515- 1276	4
4	Insulator Bushing	0340- 0793	4
5	AC Printed Circuit Board (Refer to Table 1)		1
6	Screw	0515- 0910	1
7	Lock Washer	2190- 0409	1
8	AC Power Supply Ground Wire	19350- 60670	1
9	AC Power Supply Base	05890- 00240	1
10	Transformer Bracket	05890- 80690	1
11	Transformer (Refer to Table 1)		1
12	Extension Cable for upgraded Series I	05890- 61340	1

Figure 2. AC Power, Common (Sheet 1 of 2).

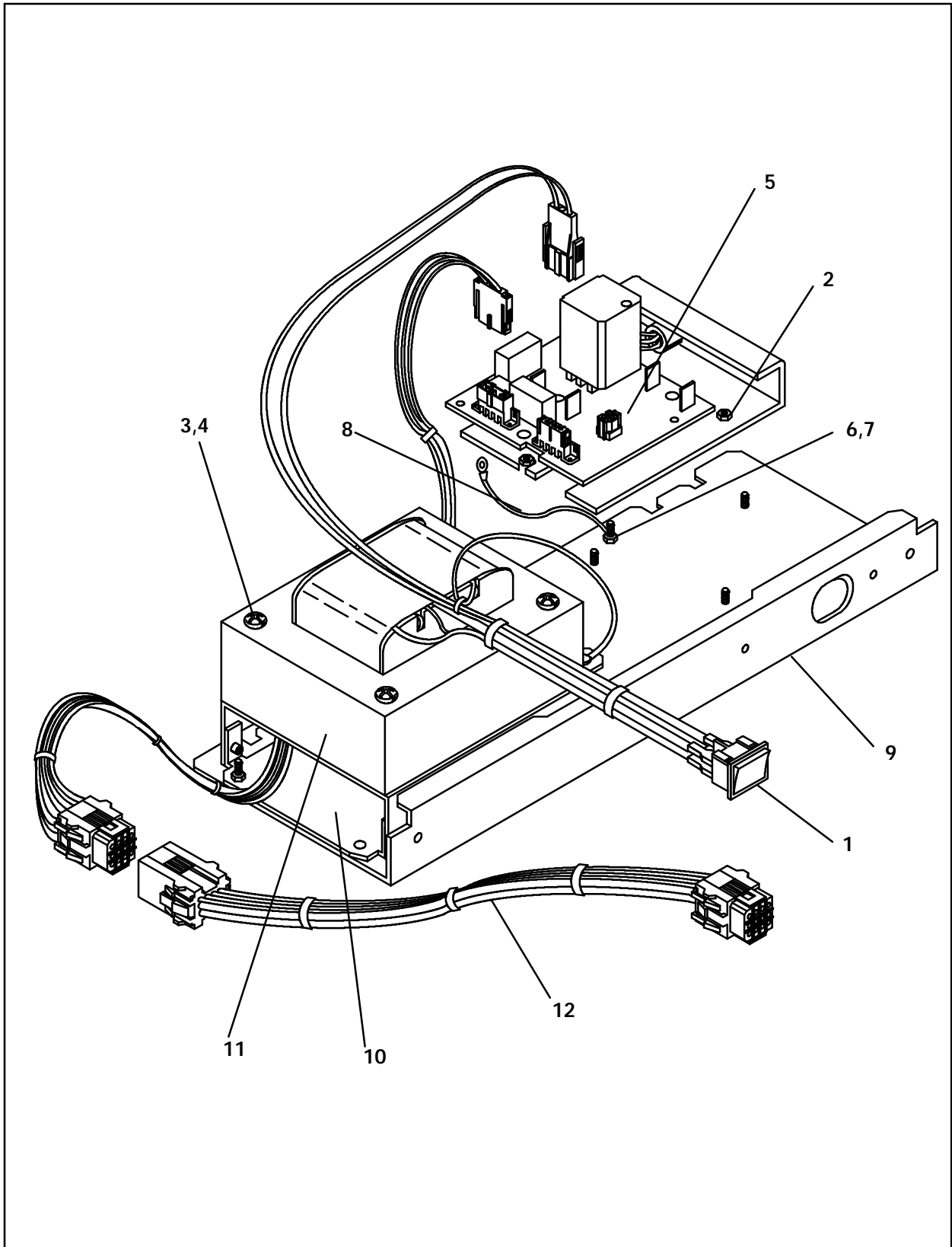


Figure 2. AC Power, Common (Sheet 2 of 2).