

Installing the PeakNet® IA System

IMPORTANT

Using the System Installation Check List

1. Before installing the system, copy the PeakNet IA System Installation Check List in Appendix B at the end of this manual. Reserve the original for future duplication.
2. During the installation, record the requested information on the check list. In this manual, items to be recorded are identified with a .
3. When finished, file the completed list in a safe location.

© 2001 Dionex Corporation

Document No. 031717

Revision 01

March 2001

©2001 by Dionex Corporation
All rights reserved worldwide.
Printed in the United States of America.

This publication is protected by federal copyright law. No part of this publication may be copied or distributed, transmitted, transcribed, stored in a retrieval system, or transmitted into any human or computer language, in any form or by any means, electronic, mechanical, magnetic, manual, or otherwise, or disclosed to third parties without the express written permission of Dionex Corporation, 1228 Titan Way, Sunnyvale, California 94088-3603 U.S.A.

DISCLAIMER OF WARRANTY AND LIMITED WARRANTY

THIS PUBLICATION IS PROVIDED “AS IS” WITHOUT WARRANTY OF ANY KIND. DIONEX CORPORATION DOES NOT WARRANT, GUARANTEE, OR MAKE ANY EXPRESS OR IMPLIED REPRESENTATIONS REGARDING THE USE, OR THE RESULTS OF THE USE, OF THIS PUBLICATION IN TERMS OF CORRECTNESS, ACCURACY, RELIABILITY, CURRENTNESS, OR OTHERWISE. FURTHER, DIONEX CORPORATION RESERVES THE RIGHT TO REVISE THIS PUBLICATION AND TO MAKE CHANGES FROM TIME TO TIME IN THE CONTENT HEREIN OF WITHOUT OBLIGATION OF DIONEX CORPORATION TO NOTIFY ANY PERSON OR ORGANIZATION OF SUCH REVISION OR CHANGES.

TRADEMARKS

PeakNet® is a registered trademark of Dionex Corporation.
Celeron™ is a trademark and Intel® is a registered trademark of Intel Corporation.
Microsoft®, Windows® 98, Windows® 2000, and Windows NT® are registered trademarks of Microsoft Corporation.

PRINTING HISTORY

Revision 01, March 2001

1 • Pre-Installation Requirements

1.1	Introduction	1-1
1.2	Document the Computer Configuration	1-3
1.3	Determine the Network Type	1-4
1.4	Determine the IP Properties	1-5
1.4.1	One DX-80 on a Private LAN	1-5
1.4.2	Two DX-80s on a Private LAN	1-6
1.4.3	One or Two DX-80s on an Office LAN	1-7

2 • Installation

2.1	Connecting the DX-80 Ion Analyzer	2-2
2.1.1	Connecting One DX-80 to a Private LAN	2-2
2.1.2	Connecting Two DX-80s to a Private LAN	2-3
2.1.3	Connecting One or Two DX-80s to an Office LAN	2-4
2.2	Installing PeakNet IA Software	2-6
2.3	Configuring the DX-80 LAN Card	2-7
2.4	Assigning IP Properties to the DX-80	2-10
2.5	Assigning the DX-80 to a Timebase	2-12
2.6	Displaying the DX-80 Factory Final Test Data	2-14

3 • Troubleshooting

- 3.1 PeakNet IA Cannot Communicate with DX-80 3-1
- 3.2 Server Intermittently Loses Communication with Devices 3-2

A • Glossary

B • PeakNet IA System Installation Check List

1 • Pre-Installation Requirements

1.1 Introduction

PeakNet® IA software (release 6.12 or later) controls the operation of the Dionex DX-80 Ion Analyzer. PeakNet IA communicates with the DX-80 via UDP (User Datagram Protocol); this interface ensures reliable communication between devices on the same network.

In order to implement the UDP interface, three IP properties (an IP address, a subnet mask, and a gateway address) must be assigned to the computer LAN card and to each DX-80. The correct assignment of these IP properties is a critical step in the PeakNet IA system installation.

IMPORTANT

Every device on the same network must have a unique IP address. Selecting duplicate IP addresses will cause conflicts on the network and disrupt normal operation.

Variations in the PeakNet IA System Installation

Normally, most of the installation is completed at Dionex before the system is shipped to the user. This includes:

- Installation of PeakNet IA on a computer running Microsoft® Windows 98.
- Computer LAN card configuration.

NOTE To prevent conflicts between other network devices, all IP properties are assigned at the installation site.

If your system differs from the standard configuration (for example, the operating system is not Windows 98), the installation procedure may vary slightly. Follow only the instructions in this manual that apply to your particular system.

To ensure a fast and trouble-free installation, complete the preliminary steps shown in Figure 1-1 before proceeding. For an overview of the entire PeakNet IA system installation, see Figure 2-1.

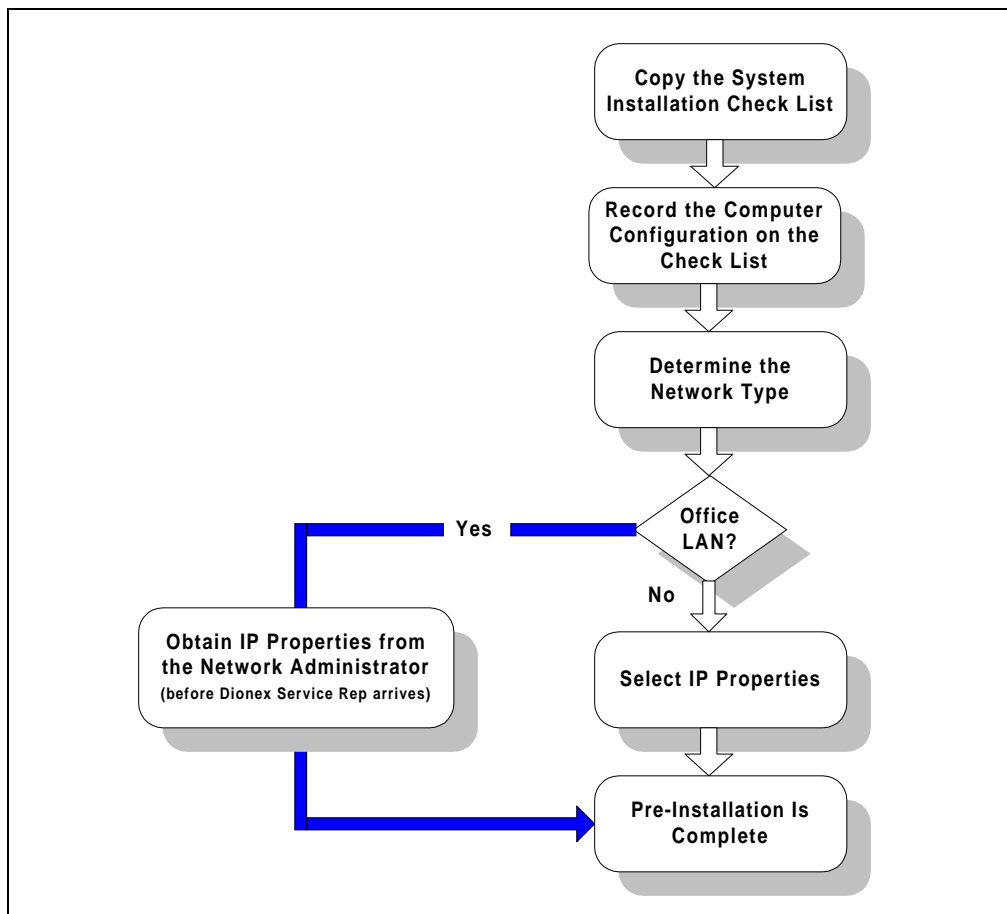


Figure 1-1. Pre-Installation Requirements

IMPORTANT

Using the System Installation Check List

1. Before installing the system, copy the PeakNet IA System Installation Check List in Appendix B at the end of this manual. Reserve the original for future duplication.
2. During the installation, record the requested information on the check list. In this manual, items to be recorded are identified with a .
3. When finished, file the completed list in a safe location.

1.2 Document the Computer Configuration

Data System Platform

- IBM-compatible computer, minimum Intel® Celeron™ 400 MHz
- 10BASE-T-compatible PCI LAN card
- Minimum 64 MB RAM
- Minimum 2 GB hard disk drive
- CD-ROM drive
- Windows-compatible monitor and video adapter; minimum 1024 x 768 with 256 colors
- Mouse supported by Windows
- Printer supported by Windows; parallel interface recommended

Operating Environment

- Microsoft Windows 98 (Second Edition), Windows® 2000, or Windows NT® 4.0 (Service Pack 5 or greater)
- Record your computer configuration on the PeakNet IA System Installation Check List.

PeakNet IA and Moduleware Compatibility

NOTE You cannot determine the DX-80 Moduleware version until after initial installation of PeakNet IA.

Before downloading a new version of Moduleware (Dionex instrument control firmware) to the DX-80, verify that the Moduleware version number supports the PeakNet IA release installed on the computer. If the PeakNet IA release and the Moduleware version are incompatible, it will cause system communication failures.

1. Start the PeakNet IA server.
2. Start the PeakNet IA Server Configuration program by clicking **Start** on the Windows taskbar and then selecting **Programs > PeakNet > Server Configuration**.
3. Under **Sharable Devices**, select **Dionex UDP Interface**.
4. From the **Edit** menu, select the **Properties** command.
5. Select the **Update Moduleware** tab to display the Moduleware version for each connected device.

1.3 Determine the Network Type

The PeakNet IA system can be installed on two types of networks: a *private* LAN or an *office* LAN.

Private LAN

When the computer running PeakNet IA is connected to Dionex devices only (including the Ethernet hub required when two DX-80s are installed), the network is considered a private LAN.

Office LAN

When the computer running PeakNet IA is connected to other computers, printers, etc., via a network, the PeakNet IA system is on an office LAN. A network administrator is responsible for functions on the office LAN.

- Record the required information on the PeakNet IA System Installation Check List.

1.4 Determine the IP Properties

1.4.1 One DX-80 on a Private LAN

IMPORTANT

Every device on the same network must have a unique IP address. Selecting duplicate IP addresses may cause conflicts on the network.

If the PeakNet IA system is on a private LAN (see Section 1.3) and includes only one DX-80, select the IP properties listed in the table below.

<i>IP Properties</i>	
<i>Computer LAN Card</i>	
IP address	192.168.0.1
Subnet mask	255.255.0.0
Gateway address	0.0.0.0
<i>DX-80</i>	
IP address	192.168.0.2
Subnet mask	255.255.0.0
Gateway address	0.0.0.0

- Record the required information on the PeakNet IA System Installation Check List.

When you finish, go to Section 2.1.1 to connect the DX-80 to the computer.

1.4.2 Two DX-80s on a Private LAN

IMPORTANT

Every device on the same network must have a unique IP address. Selecting duplicate IP addresses may cause conflicts on the network.

If the PeakNet IA system is on a private LAN (see Section 1.3) and includes two DX-80s, select the IP properties listed in the table below.

<i>IP Properties Computer LAN Card</i>	
IP address	192.168.0.1
Subnet mask	255.255.0.0
Gateway address	0.0.0.0
<i>DX-80 #1</i>	
IP address	192.168.0.2
Subnet mask	255.255.0.0
Gateway address	0.0.0.0
<i>DX-80 #2</i>	
IP address	192.168.0.3
Subnet mask	255.255.0.0
Gateway address	0.0.0.0

Record the required information on the PeakNet IA System Installation Check List.

When you finish, go to Section 2.1.2 to connect the DX-80s to the Ethernet hub.

1.4.3 One or Two DX-80s on an Office LAN

IMPORTANT

Every device on the same network must have a unique IP address. Selecting duplicate IP addresses may cause conflicts on the network.

If the PeakNet IA system is on an office LAN (see Section 1.3), the network administrator must provide all IP properties. To prevent delays in the system installation, obtain these IP properties from your network administrator before the Dionex Service Representative arrives to install the system.

NOTE If a gateway or router is not necessary, the gateway address should be set to 0.0.0.0.

Record the required information on the PeakNet IA System Installation Check List.

When you finish, go to Section 2.1.3 to connect the DX-80(s) to the Ethernet hub.

2 • Installation

Figure 2-1 presents an overview of the PeakNet IA system installation.

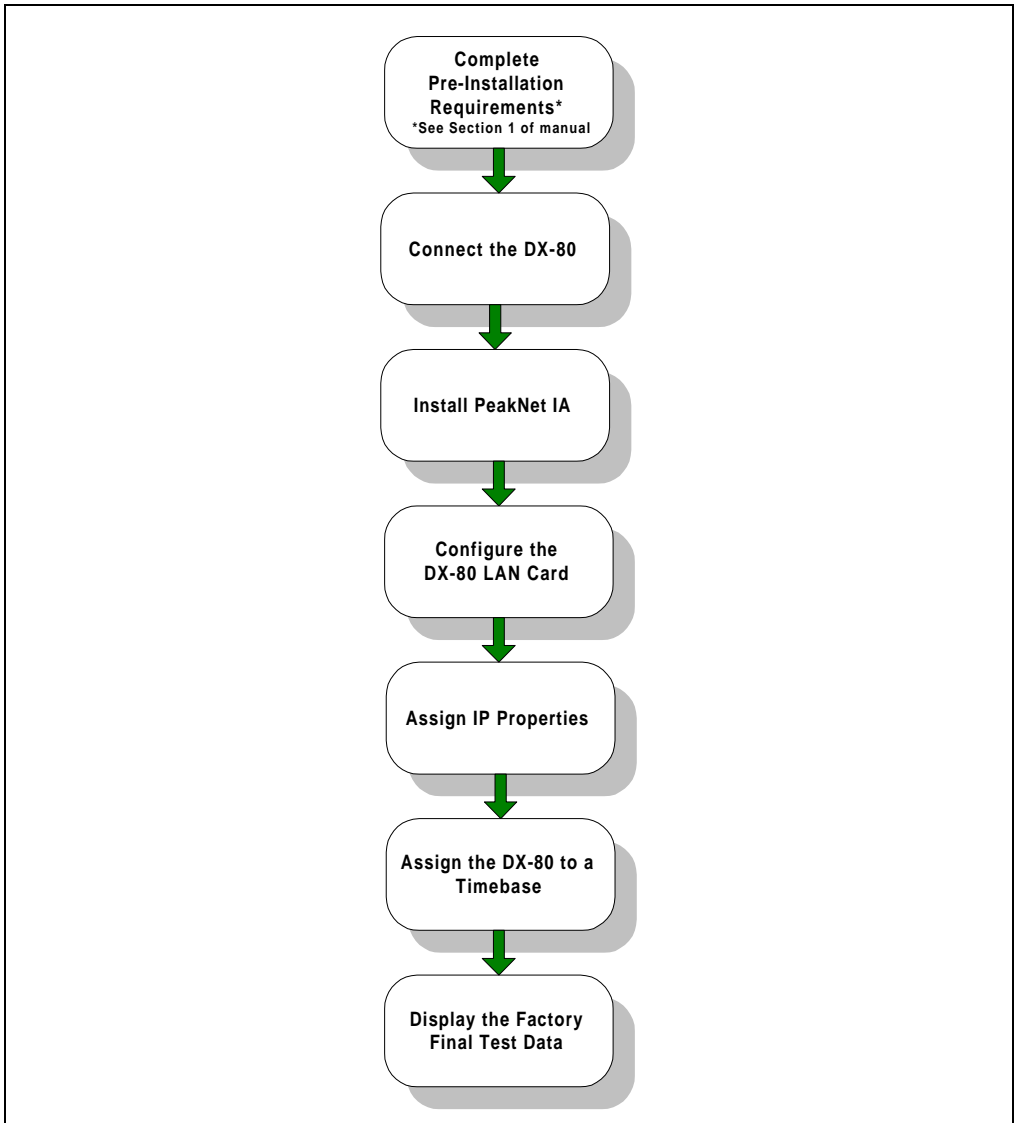


Figure 2-1. PeakNet IA System Installation

2.1 Connecting the DX-80 Ion Analyzer

2.1.1 Connecting One DX-80 to a Private LAN

Follow these instructions to install the standard PeakNet IA system configuration: one DX-80 connected to a computer on a private LAN (see Figure 2-2). The DX-80 Ship Kit (P/N 057217) includes all required parts.

1. Connect one end of a crossover 10BASE-T LAN cable (P/N 960280) to the **LAN** connector on the DX-80 rear panel.

IMPORTANT

The 10BASE-T LAN cable is a Category 5 unshielded twisted-pair cable. Do not substitute a cable of an inferior grade. Failure to use the correct cable will cause the DX-80 to lose communication with the computer.

2. Connect the other end of the crossover 10BASE-T LAN cable to the network port on the computer.

Record the required information on the PeakNet IA System Installation Check List.

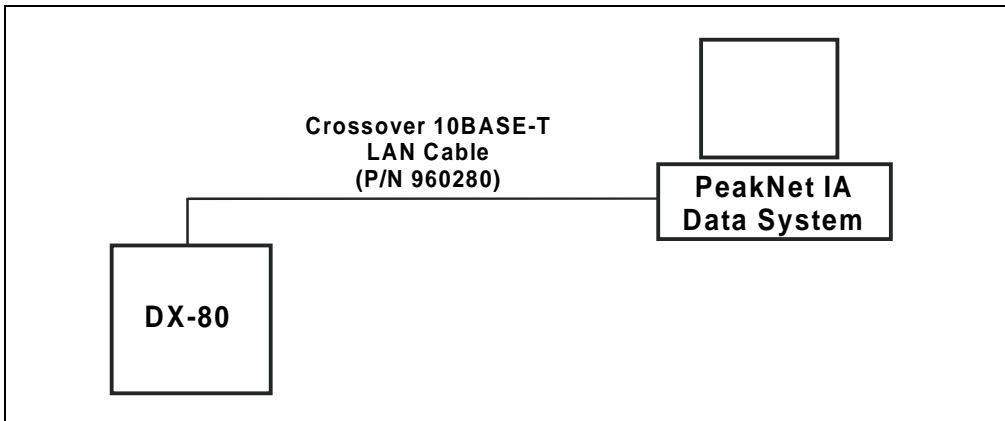


Figure 2-2. Standard Configuration: One DX-80 on a Private LAN

2.1.2 Connecting Two DX-80s to a Private LAN

Follow these instructions to install two DX-80s on a private LAN (see Figure 2-3).

Optional Parts Required

- 1 Ethernet hub (P/N 057398)
- 3 straight-through 10BASE-T LAN cables (P/N 960281)

Installation Instructions

1. Connect a straight-through 10BASE-T LAN cable to the **LAN** connector on the DX-80 rear panel.

IMPORTANT

The 10BASE-T LAN cable is a Category 5 unshielded twisted-pair cable. Do not substitute a cable of an inferior grade. Failure to use the correct cable will cause the DX-80 to lose communication with the computer.

2. Connect the other end of the straight-through 10BASE-T LAN cable to a 10BASE-T port on the front panel of the Ethernet hub. Do **not** connect the DX-80 to the Uplink (or MDI) port.
3. Repeat Steps 1-2 for the second DX-80.

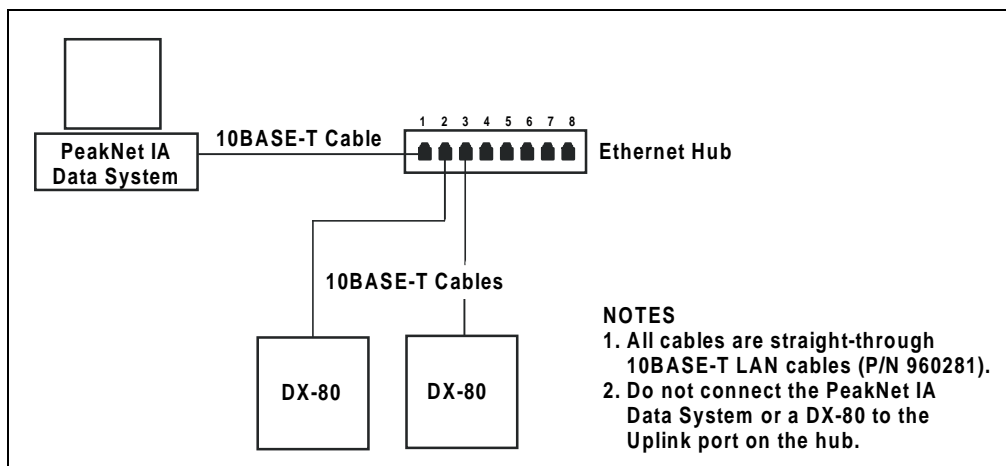


Figure 2-3. Example Connections: Two DX-80s on a Private LAN

4. Connect a straight-through 10BASE-T LAN cable from the network port on the computer to a 10BASE-T port on the hub. Do **not** connect the computer to the hub's Uplink (or MDI) port.

Record the required information on the PeakNet IA System Installation Check List.

2.1.3 Connecting One or Two DX-80s to an Office LAN

Follow these instructions to install one or two DX-80s on an office LAN (see Figure 2-4).

Optional Parts Required

1 Ethernet hub (P/N 057398)

3 or 4 straight-through 10BASE-T LAN cables (P/N 960281)

Installation Instructions

1. Connect a straight-through 10BASE-T LAN cable to the **LAN** connector on the DX-80 rear panel.

The 10BASE-T LAN cable is a Category 5 unshielded twisted-pair cable. Do not substitute a cable of an inferior grade. Failure to use the correct cable will cause the DX-80 to lose communication with the computer.

IMPORTANT

2. Connect the other end of the straight-through 10BASE-T LAN cable to a 10BASE-T port on the front panel of the Ethernet hub. Do **not** connect the DX-80 to the Uplink (or MDI) port.
3. Repeat Steps 1-2 for the second DX-80, if present.
4. Connect a straight-through 10BASE-T LAN cable from a network port on the computer to a 10BASE-T port on the hub. Do **not** connect the computer to the Uplink (or MDI) port.

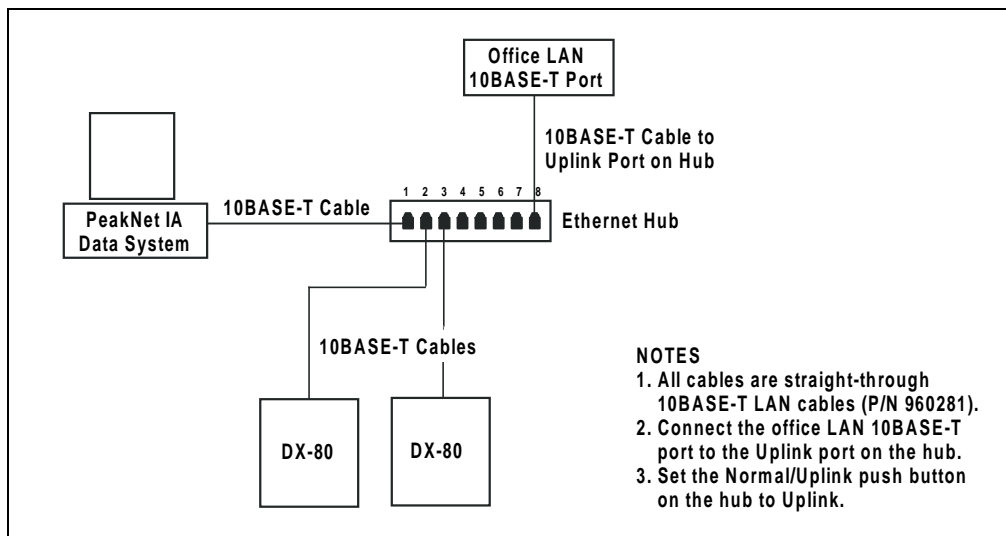


Figure 2-4. Example Connections: Two DX-80s on an Office LAN

5. Connect a straight-through 10BASE-T LAN cable from the office LAN 10BASE-T port to the Uplink (or MDI) port on the front panel of the hub.
6. Set the Normal/Uplink push button on the hub to Uplink.

NOTE If the push button is labeled MDI/MDI-X (instead of Normal/Uplink), set it to the MDI position.

- Record the required information on the PeakNet IA System Installation Check List.

2.2 Installing PeakNet IA Software

The SETUP.EXE file on the CD-ROM installs PeakNet IA. After presenting a series of options for your consideration, it then copies PeakNet IA onto the hard disk. Run the Setup program from within the Windows operating environment.

1. Insert the PeakNet IA CD-ROM into the appropriate drive.
2. The Setup program should start automatically. If it does not, click the **Start** button on the Windows taskbar and select **Run**.

Enter **[drive]:\DISK1\SETUP** and click **OK**.

For example, if the CD-ROM drive is drive D, enter

D:\DISK1\SETUP

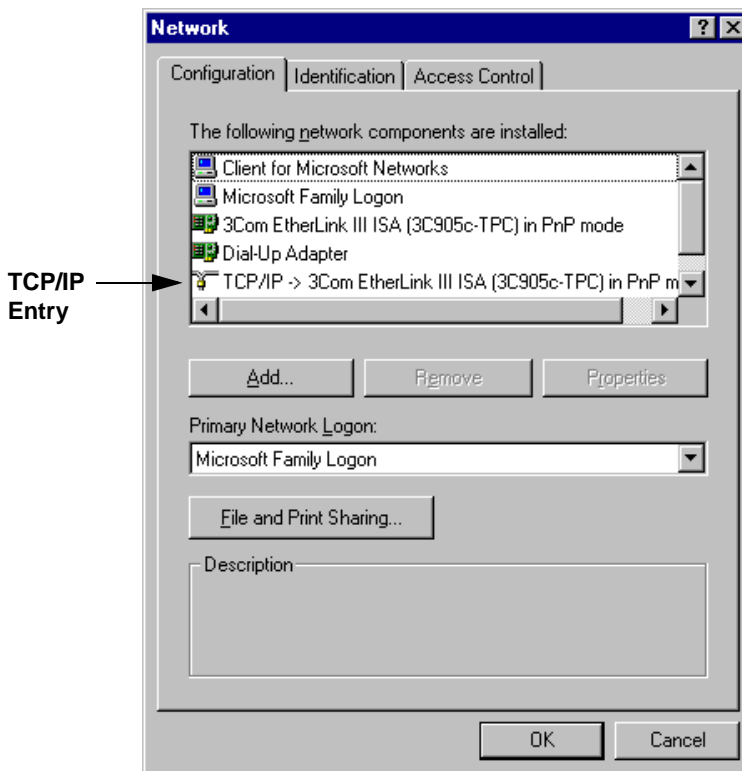
3. Setup now guides you through the installation procedure; follow the on-screen instructions as they appear.
4. After running Setup, leave the CD-ROM in the drive and go on to Section 2.3 to configure the DX-80 LAN card.

Record the required information on the PeakNet IA System Installation Check List.

2.3 Configuring the DX-80 LAN Card

1. Open the Control Panel and double-click the Network icon.

The Network Properties dialog box opens. An example dialog box is shown below.



2. In the list of installed network components, verify that the entry for the DX-80 LAN card includes **TCP/IP**, as shown here.

If the entry does not include TCP/IP, click the **Add** button and follow the on-screen instructions to add the TCP/IP protocol to the LAN card.

3. When the TCP/IP protocol is bound to the LAN card, update the card's TCP/IP properties with the new IP address, subnet mask, and gateway address.

NOTE The IP address, subnet mask, and gateway address were previously selected (see Section 1.4) and recorded on the PeakNet IA System Installation Check List.

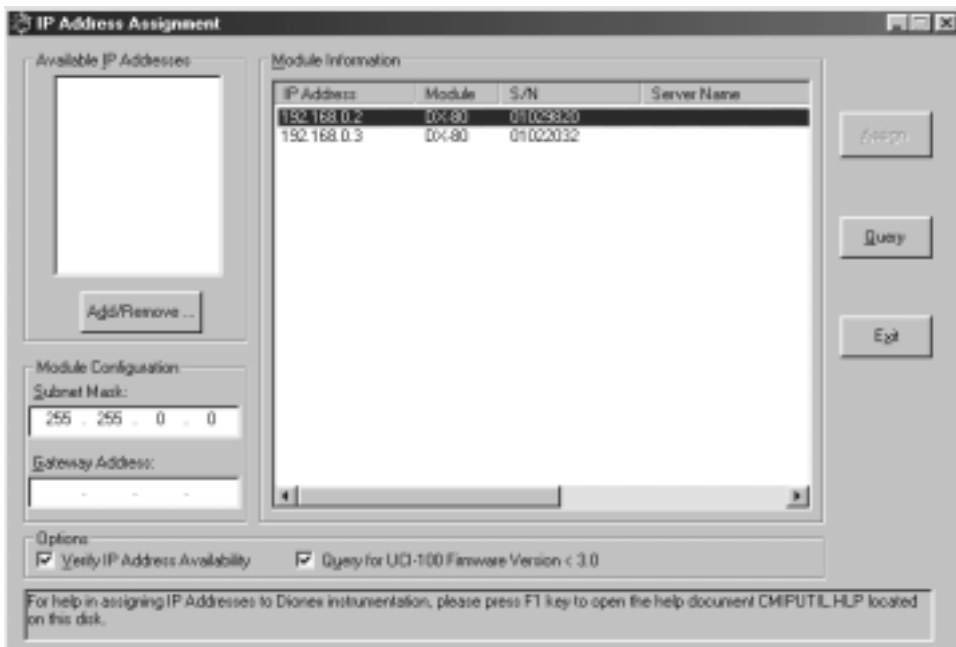
4. Allow the computer to reboot.

NOTE In Step 5, you can run the IP Address Assignment utility directly from the PeakNet IA CD-ROM, or else copy it to a local drive (or floppy disk) and then run it.

If a network administrator is installing several DX-80s at once, it is best to run a copy of the utility because, when you exit the utility, the list of available IP addresses is not saved. Thus, the next time you run the utility, you will have to re-enter all of the available IP addresses.

5. Run the Dionex IP Address Assignment utility (CMIPUTIL.EXE) from the PeakNet IA CD-ROM. The utility is in the \CMIPUTIL folder.

The IP Address Assignment dialog box (the main screen) appears. An example screen is shown here.



NOTE Under “Options” on the main screen, disregard the Query for UCI-100 Firmware Version < 3.0 check box. PeakNet IA does not support this option, so the check box should remain in the default setting.

6. In the **Module Information** list box, verify that each installed DX-80s is listed by serial number. If a module is not listed, refer to Section 3.1 for help.
7. Leave the IP Address Assignment utility open and go on to Section 2.4.
 - Record the required information on the PeakNet IA System Installation Check List.

2.4 Assigning IP Properties to the DX-80

In this section, you will assign the IP properties previously selected (see Section 1.4) and recorded on the PeakNet IA System Installation Check List.

IMPORTANT

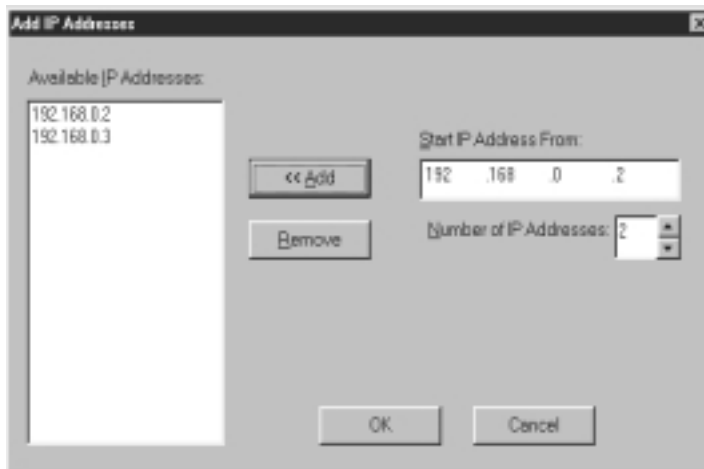
Selecting and assigning IP properties is a relatively simple procedure. However, failure to carefully follow the instructions in this manual may cause serious problems with network operation.

1. In the **Module Information** list box of the IP Address Assignment dialog box, highlight the DX-80 that requires an IP address.

NOTE The IP Address Assignment utility should remain open after completion of Section 2.3. If you accidentally exited the utility, re-open it now.

2. In the **Available IP Addresses** list box, select an IP address for the DX-80.

If the list box is empty, you must designate an available IP address before proceeding. Click the **Add/Remove** button to open the following dialog box.



3. Enter at least one IP address in the Available IP Addresses list box, and then click **OK** to close the dialog box and return to the main screen.
4. Enter the **Subnet Mask** for the DX-80.

5. Enter the **Gateway Address** for the DX-80.
6. (Optional) Select the **Verify IP Address Availability** check box.

Select this option to have the utility ping the network to check whether any other network device is using this IP address. If the IP address is already in use, a message will appear on-screen and you must select a new IP address for the DX-80 before continuing.

7. Click the **Assign** button.
8. If a DX-80 has been powered up since the utility was launched, click the **Query** button.

The utility will begin scanning the network for all online Dionex devices. As each online device is recognized, the corresponding server IP address is replaced by the server name in the **Module Information** list box.



Scanning may take several seconds, but do not click the Query button again until the process is complete and all server names are displayed in the Module Information list box.

9. When scanning is complete, check the **Module Information** list box; if a new device is now shown in the list box, assign an IP address to it as necessary.
 10. When you have finished assigning parameters, click **Exit** to close the IP Address Assignment utility.
 11. Remove the CD-ROM from the drive. Store the CD-ROM in a safe place away from heat, moisture, and magnetic fields.
- Record the required information on the PeakNet IA System Installation Check List.

2.5 Assigning the DX-80 to a Timebase

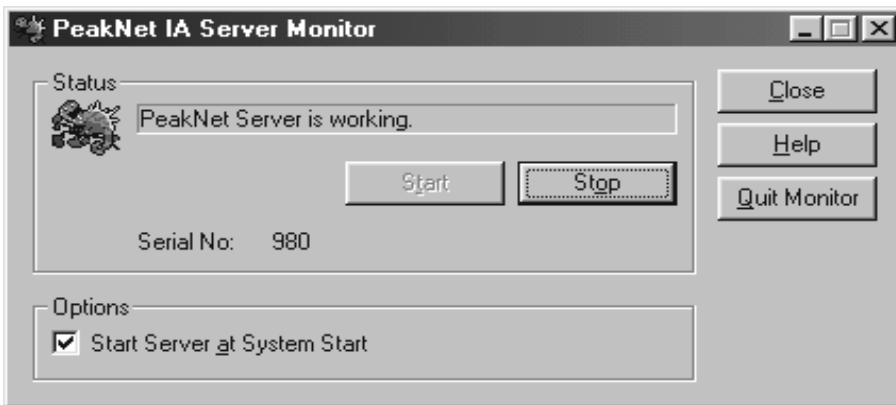
NOTE For more information about adding modules to a timebase, see the PeakNet IA online Help topic, “How to...: Actions in the Server Configuration Program.”

1. Turn on the power to each DX-80.
2. Start the PeakNet IA Server Monitor program by double-clicking the Server Monitor icon on the taskbar.

If the icon is not on the taskbar, click **Start** on the Windows taskbar and then select **Programs > PeakNet > Server Monitor**.

3. If it is not already running, start the server by clicking the **Start** button.

NOTE If the server is in demo mode, enter the keycode listed on the license keycode flier shipped with PeakNet IA.



4. Start the PeakNet IA Server Configuration program by clicking **Start** on the Windows taskbar and then selecting **Programs > PeakNet > Server Configuration**.

5. In the Server Configuration program, select the DX-80 and connect it to the timebase.

NOTE Each DX-80 is identified by a serial number. The serial number is entered into DX-80 memory at the factory and is automatically uploaded to PeakNet IA when the DX-80 is configured in a timebase.

6. Double-click the DX-80 connected to the timebase in Step 5. This opens the Properties dialog box, where you specify properties for the DX-80.
7. Repeat Steps 5-6 for an additional DX-80 in the timebase, if present.
8. If the system shipped to you includes a preconfigured computer, this completes the PeakNet IA system installation procedure. Refer to the *DX-80 Ion Analyzer Operator's Manual* to complete the DX-80 installation.

If your computer was not preconfigured, go on to Section 2.6 to restore the DX-80 factory calibration data.

- Record the required information on the PeakNet IA System Installation Check List.

2.6 Displaying the DX-80 Factory Final Test Data

NOTE If your system includes a preconfigured computer, the factory final test data was stored on the computer hard drive before the system was shipped to you. Therefore, you may disregard this section unless you want to compare your system data with the factory data.

1. Locate the floppy disk with the file (DX-80_FACTORY_DATA.CMB) containing DX-80 factory final test data. Insert the disk into the appropriate drive.
2. Start PeakNet IA, if it is not already running.
3. On the **File** menu, select **Import/Restore > Restore**.
A dialog box appears.
4. Select the DX-80_FACTORY_DATA.CMB file and click **Open**.
A dialog box appears.
5. Click the **Select all** command button.
Verify that all check boxes in the Contents list box are selected.
6. Under **Destination**, click the **Other** option button. Verify that the path is the top-level datasource root, not a directory, and click **OK**.
A dialog box appears.
7. Select the **Overwrite existing sequence** option and click **OK** to begin downloading the final test data. The download takes just a few seconds.
8. When the download is complete, the Restore finished dialog box appears. Click **OK** to close the dialog box.
9. This completes the PeakNet IA system installation procedure.
 Record the required information on the PeakNet IA System Installation Check List.
Refer to the *DX-80 Ion Analyzer Operator's Manual* for instructions on how to complete the DX-80 installation.

3.1 PeakNet IA Cannot Communicate with DX-80

- **The DX-80(s) is not powered up.**

Turn on the power to each DX-80 in the timebase and allow it to finish initializing.

- **The server was started before the DX-80(s) is powered up and/or connected.**

Stop the server. Check that each DX-80 is connected to the timebase and that the DX-80 power is turned on. Start the server again.

- **The DX-80(s) is not connected properly.**

Check that the correct 10BASE-T LAN cables are installed, and then reboot the computer.

Use a crossover 10BASE-T LAN cable (P/N 960280) to connect one DX-80 to a computer on a private LAN (see Section 2.1.1).

Use straight-through 10BASE-T LAN cables (P/N 960281) to connect two DX-80s to either a private LAN (see Section 2.1.2) or an office LAN (see Section 2.1.3).

IMPORTANT

Dionex 10BASE-T LAN cables are Category 5 unshielded twisted-pair cables. Do not substitute cables of an inferior grade. Failure to use the correct cable will cause the DX-80 to lose communication with other devices.

- **A problem with the Ethernet hub.**

Check that the LEDs on the hub are lighted and blinking.

If a connection is to the hub's Uplink (or MDI) port, make sure the Normal/Uplink push button is set to Normal. (If the push button is labeled MDI/MDI-X, set it to the MDI position.)

- **No IP address was assigned to the DX-80 LAN card.**

The operating system sometimes lists virtual network adapters, such as “Dial-Up Connection.” Check that your IP address was not mistakenly assigned to that device, rather than to the DX-80 LAN card.

3.2 Server Intermittently Loses Communication with Devices

- **A LAN cable(s) is the wrong type.**

Use a crossover 10BASE-T LAN cable (P/N 960280) to connect one DX-80 to a computer on a private LAN (see Section 2.1.1).

Use straight-through 10BASE-T LAN cables (P/N 960281) to connect two DX-80s to a private LAN (see Section 2.1.2) or an office LAN (see Section 2.1.3).

IMPORTANT

Dionex 10BASE-T LAN cables are Category 5 unshielded twisted-pair cables. Do not substitute cables of an inferior grade. Failure to use the correct cable will cause the DX-80 to lose communication with other devices.

- **Ethernet hub connections are incorrect.**

Make sure the power to the hub is turned on.

Check that all connections to the hub are made with straight-through 10BASE-T LAN cables (P/N 960281) and that the connections are not loose.

IMPORTANT

Dionex 10BASE-T LAN cables are Category 5 unshielded twisted-pair cables. Do not substitute cables of an inferior grade. Failure to use the correct cable will cause the DX-80 to lose communication with other devices.

If the PeakNet IA system is connected to an office LAN, check the following:

- Make sure the cable from the office LAN 10BASE-T port is connected to the Uplink (or MDI) port on the hub.
- Make sure the Normal/Uplink push button on the hub is set to Uplink. (If the push button is labeled MDI/MDI-X, set it to the MDI position.)

A • Glossary

Term	Definition
Ethernet Hub	A device that connects two LANs (local area networks) or two segments of the same LAN. A hub has multiple ports. When information is received at one port, it is copied to other ports so that all segments of the LAN can see the information.
Gateway (or Router)	A combination of hardware and software that links two different types of networks.
Gateway Address	The IP address of the gateway.
IP Address	A unique 32-bit number that identifies a device on a TCP/IP network. An IP address consists of four numbers separated by periods (for example, 192.168.0.1, 192.168.0.2, and so on). The network routes messages based on the IP address of the destination.
Ping	An acronym for Packet Internet Groper, a utility that determines whether an IP address is accessible.
Private LAN	A local area network (LAN) used exclusively by PeakNet IA and Dionex instruments.
Protocol	A “language” a computer uses to communicate over a network.
Subnet	A portion of a network that shares a common address component. For example, IP addresses 192.168.0.1 and 192.168.0.2 and subnet mask 255.255.0.0 have a subnet of 192.168.0.0.
Subnet Mask	A 32-bit number used to distinguish between the network and host portions of an IP address. For example, if the DX-80 is connected to a private LAN, the subnet mask should be 255.255.0.0.
TCP/IP	Short for Transmission Control Protocol/Internet Protocol. A suite of communications protocols used for transmitting data across large networks (or the Internet).
UDP	Short for User Datagram Protocol. UDP is used to send messages over a network.

Utility

A software program that performs a very specific task. For example, the Dionex IP Address Assignment utility is used to assign UDP parameters.

B • PeakNet IA System Installation Check List

1. Computer Configuration

a. Hardware Configuration

Brand _____ Model _____ Serial No. _____
CPU Type _____ CPU Speed _____ MHz RAM Size _____ MB
Hard Drive Free Space: Before Install _____ After Install _____

Other Devices

DX-80 LAN card installed

Printer Brand _____ Model _____

Other _____

Computer hardware configuration verified by

(signature and date)

b. Computer Operating System

Windows 98 / 2000 / NT Version _____ Service Pack Version _____

Computer operating system verified by

(signature and date)

Go to Section 2

2. Determine Network Type

- Private LAN
- Office LAN

Network type verified by

(signature and date)

Go to Section 3

3. Determine IP Properties

- IP properties determined by PeakNet IA system installer
- IP properties obtained from network administrator

IP address for LAN card _____

Subnet mask _____

Gateway address _____

IP address for DX-80 #1 _____

Subnet mask _____

Gateway address _____

IP address for DX-80 #2 _____

Subnet mask _____

Gateway address _____

Selection of IP properties verified by

(signature and date)

Go to Section 4

4. DX-80 Connections

4.1 One DX-80 on a Private LAN

- The DX-80 is connected to the PC via a crossover 10BASE-T LAN cable

4.2 Two DX-80s on a Private LAN

- Each DX-80 is connected to the Ethernet hub via a straight-through 10BASE-T LAN cable
- The hub is connected to the PC via a straight-through 10BASE-T LAN cable

4.3 Two DX-80s on an Office LAN

- Each DX-80 is connected to the Ethernet hub via a straight-through 10BASE-T LAN cable
- The hub is connected to the PC via a straight-through 10BASE-T LAN cable
- The Uplink port of the Ethernet hub is connected to the office LAN 10BASE-T port via a straight-through 10BASE-T LAN cable
- The Normal/Uplink push button on the hub is set to Uplink

DX-80 connections verified by

(signature and date)

Go to Section 5

5. PeakNet IA Software Installation

PeakNet IA Release (version and build numbers) _____

PeakNet IA Software Protection Key Code _____

Moduleware file copied from the Moduleware CD-ROM to the hard drive (optional):

- Yes Moduleware Release _____
- No

PeakNet IA software installation verified by

(signature and date)

Go to Section 6

6. Computer LAN Card Configuration

- TCP/IP protocol installed
- IP properties assigned to the LAN card
- IP Address Assignment dialog box lists all installed DX-80s

Computer LAN card configuration verified by

(signature and date)

Go to Section 7

7. Assigning IP Properties to the DX-80(s)

- IP properties assigned to each DX-80

IP properties assignment verified by

(signature and date)

Go to Section 8

8. PeakNet IA Server Configuration

- Power for each DX-80 turned on before the server is started
- Each DX-80 connected to the timebase
- Properties specified for each DX-80

PeakNet IA server configuration verified by

(signature and date)

Go to Section 9

9. Display DX-80 Factory Final Test Data

Factory final test data displayed

Display of factory final test data verified by

(signature and date)

Go to Section 10

10. DX-80(s) Installed (indicate Moduleware version)

DX-80 #1 _____ DX-80 #2 _____

DX-80 installation verified by

(signature and date)

Done

