

# Chapter 6

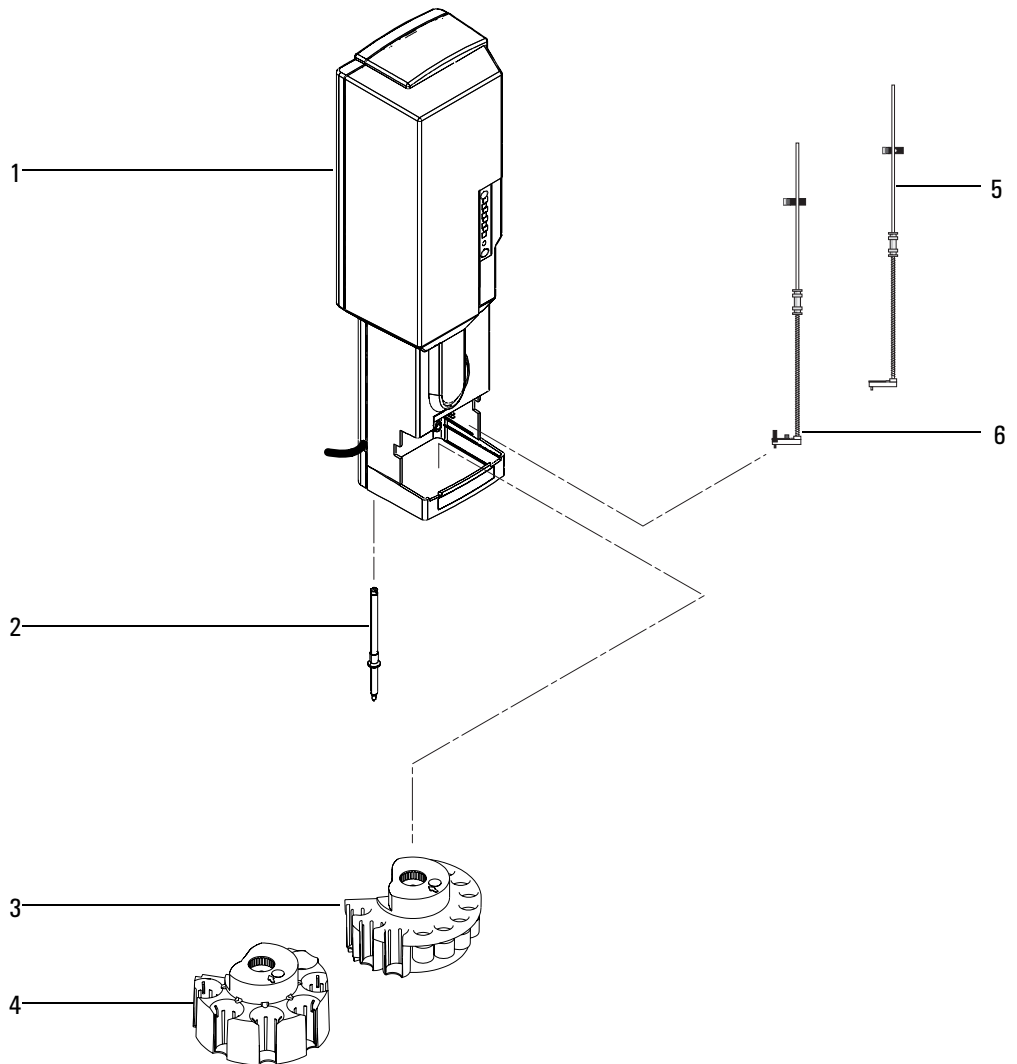
## Illustrated Parts Breakdown

The following pages list the replacement parts for the HP 7683 Automatic Liquid Sampler.

---

### Injector, HP part no. G2613A

	<b>Description</b>	<b>HP Part No.</b>	<b>Qty/Assy</b>
1.	Injector module (new)	G2613-60910	—
	Injector module (exchange)	G2613-69910	—
2.	Mounting post-G2613A	G2613-20500	2
3.	Hi-density injector turret kit	G2306-60500	1
4.	Injector turret-standard	G1513-40000	1
5.	Needle support assembly, 530 $\mu\text{m}$	G2613-60977	1
6.	Needle support assembly, 250/320 $\mu\text{m}$ (HP accessory 18599T)	G1513-60978	1
NS	Software upgrade kit	G2613-60550	—
NS	Injector install instructions	G2613-90195	—



**Figure 9 HP G2613A injector replacement parts**