
7694 Tray Subassemblies

Description	HP Part No.	Qty
1 Plate chain cover	301-074-HSP	1
2 Vial belt assembly	301-201-HSP	1
3 Belt, primary drive	301-010-HSP	1
4 Pulley, motor	301-069-HSP	1
5 Plate, motor	301-071-HSP	1
6 Motor, encoder	425-018-HSP	1
7 Pulley, drive transfer	301-156-HSP	1
8 Shaft, wheel chain	301-070-HSP	2
9 Washer, flat D55 X 6.5 X 2	301-090-HSP	1
10 Block, tray	301-073-HSP	1
11 Sensor assembly	475-582-HSP	1
12 Wheel, belt idler	301-072-HSP	1
13 Head, tray	301-081-HSP	2
14 Frame, tray	301-134-HSP	1
15 Label, reference set (1–44)	240-107-HSP	1
Associated Nuts, Screws, and Washers		
A Screw, M4 X 10 flat head	0515-0913	10
B Screw, M3 X 10 flat head	0515-1005	2
C Washer, flat D6	3050-1013	2
D Washer, toothed D6	2190-0679	2
E Nut, M6	0535-0030	2
F Screw, 2.9 X 10	300-790-HSP	8
G Screw, M3 X 10 pan head	0515-0925	1
H Washer, toothed D3	2190-0638	1
I Washer, flat D3	3050-0891	1
J Screw, M4 X 6 flat head	300-819-HSP	1
K Set screw, M3 X 8 hex	300-891-HSP	1
L Screw, M2 X 5 pan head	0515-0303	3
M Washer, flat D2	3050-0982	1
N Circlip, D8	300-902-HSP	1
O Nut, M3	0535-0004	1

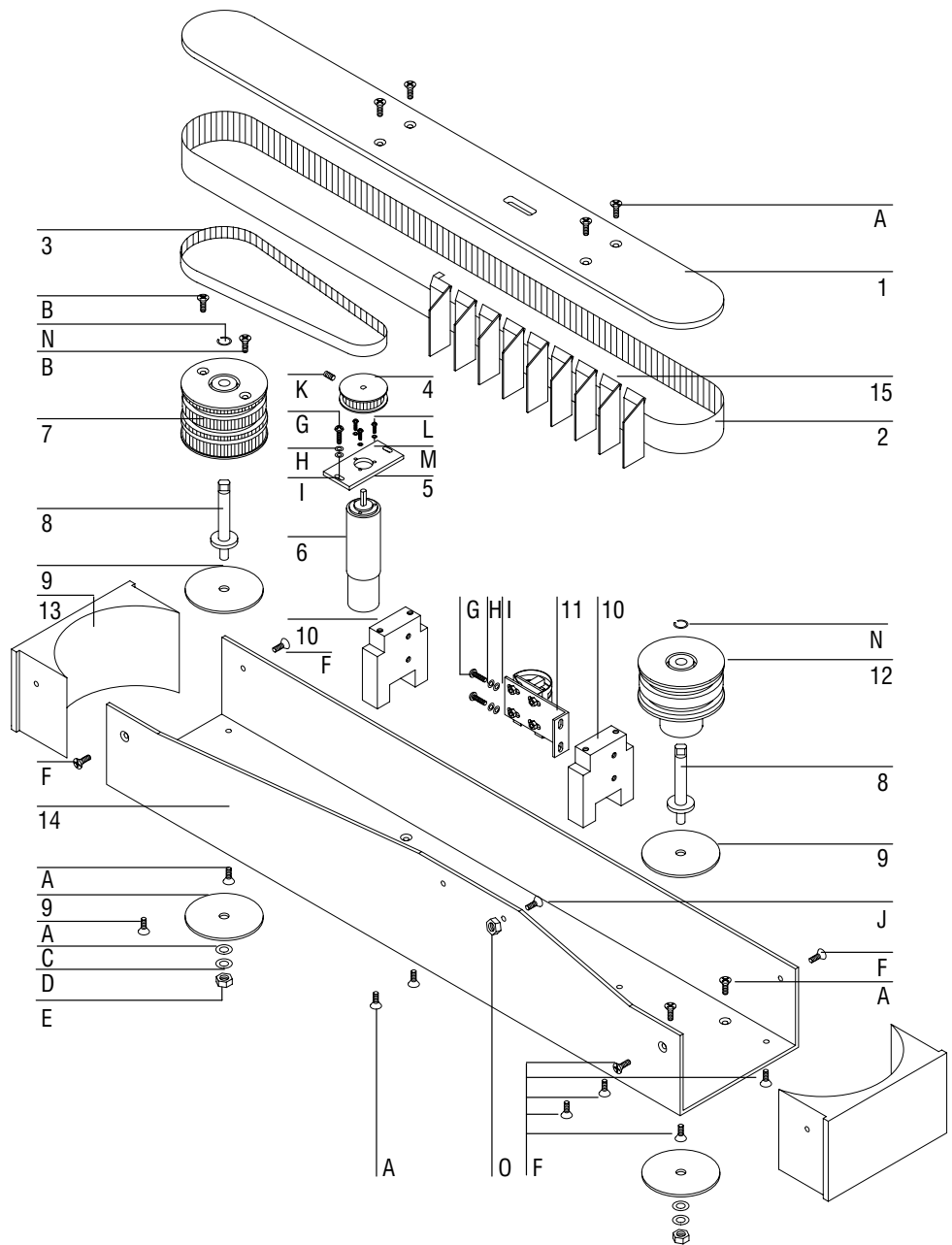


Figure 3-2. Exploding the Tray Unit