



Agilent Technologies

Chemical Analysis Group

Agilent 6890 Gas Chromatograph

6890 GC INET MIO (HPIL) Board Diagram

Document A15128

Modular Input/Output (MIO) Components

INET Components

Description	Part No.	Qty.
1. INET MIO Card Assy	G1553-60015	1
2. MIO Support Bracket	G1550-00320	1
3. MIO Connector Assy	G1553-60100	1
4. Support Bracket Standoff, M3 Male/Female	G1530-20570	1
5. Screw, Torx T10, M3 x 6 mm	0515-0680	1
6. Screw, Torx T20, M4 x 12 mm	0515-2496	3
7. 5 Meter HP-IL Cable (not shown)	82167-60003	1

LAN Components

Description	Part No.	Qty.
1A. LAN Card Assy	J2552B	1
2. MIO Support Bracket	G1550-00320	1
3. MIO Connector Assy	G1553-60100	1
4. Support Bracket Standoff, M3 Male/Female	G1530-20570	1
5. Screw, Torx T10, M3 x 6 mm	0515-0680	1
6. Screw, Torx T20, M4 x 12 mm	0515-2496	3
7A. 8 Meter Thin LAN cable (not shown)	92227-60004	1
8. Loopback Connector (not shown)	92227Q	1

Modular Input/Output (MIO) Components

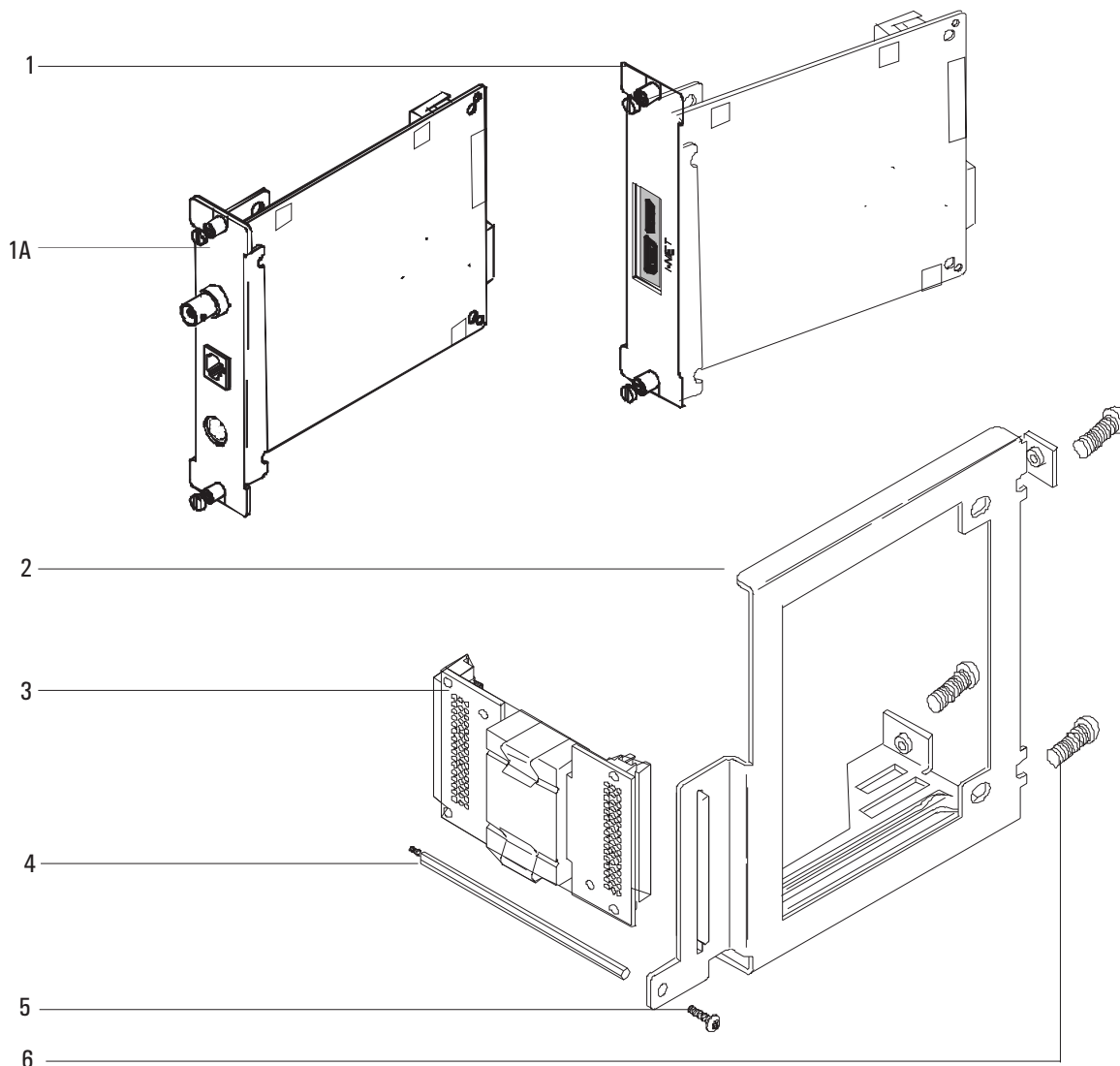


Figure 1360-5 Modular Input/Output (MIO) Components