

## PV5 Solvent Flow Path

**Table 23-6. PV5 Solvent Flow Path**

Item	Description	Part Number
1	SDS Capillary .25 700mm	79846-87602
2	Static Mixer	79835-87330
3	Low Pressure Compliance	79835-60003
4	Delivery Tube A .6 600mm	79835-67302
5	MCGV	see "MCGV Parts"
6	Inlet Capillary	79835-87632
7	Bottle Connector	01090-87602
	O-Ring (KALREZ)	0905-0993
8	Gasket	0905-0821
9	Screw Tubing	01090-22404
10	Flexible Tubing	0890-1195
11	Solvent Filter	01090-60008
12	He Filter Assy (frit + tubing)	01090-60009
	He frit (without teflon tubing)	5041-8339
13	Solvent Filter (external channel only) <sup>1</sup>	01018-60025
14	Bottle 1000ml	9301-0656
15	Bottle Head Assy <sup>2</sup>	01090-60006
16	External Connector	see "Channel C2/D External Connections"
17	Metering Pump + Rotary Valve	see DR5 section
18	Connection Cap .6 90mm	79835-67304
19	Connection Capillary .9	79835-67303
20	Outlet Capillary	79835-87631
21	Low Pressure Tube	79835-67307
22	Capillary .25 130mm	79835-67308
23	High Pressure Pump	see DR5 section
24	High Pressure Damper	79835-60005
25	Mixer Inlet Capillary	79835-87638

<sup>1</sup> For use with item 15.

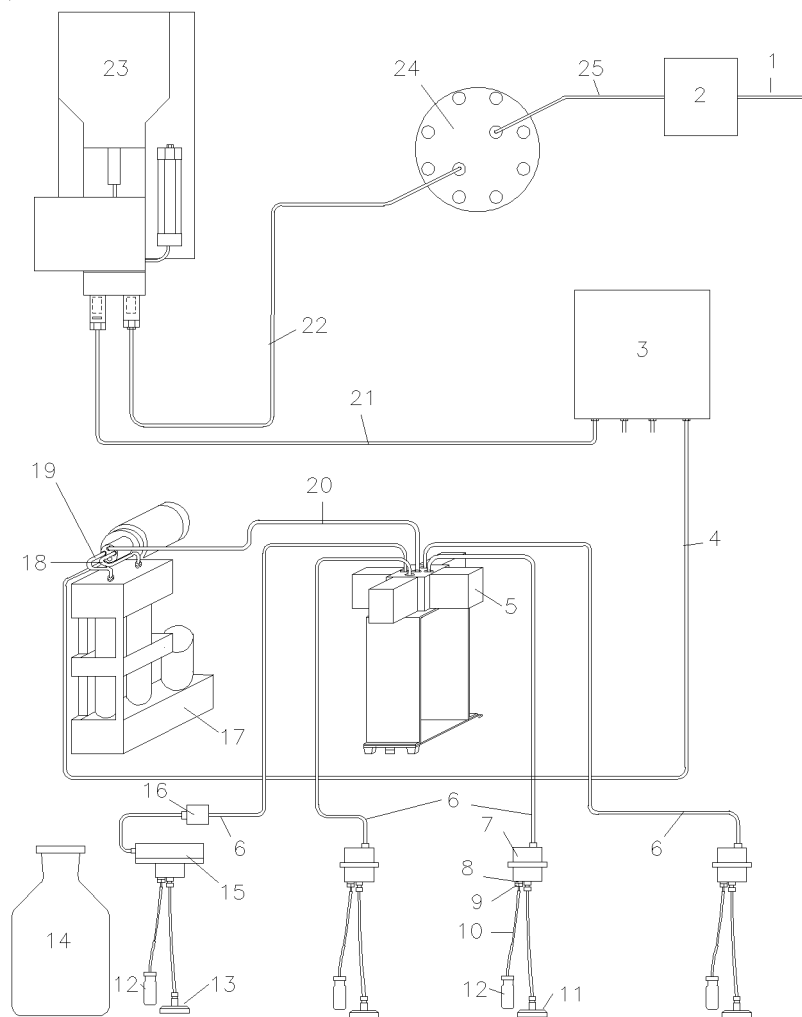
<sup>2</sup> Includes solvent filter, He frit and all tubings.

### Note



For additional part numbers of the solvent flow path, refer to section DR5.

# PV5 Solvent Delivery System



**Figure 23-5. Solvent Flow Path PV5**