
7694 Major Oven Subassemblies

	Description	HP Part No.	Qty
1	Rod, lever lock cover	301 -01 9-HSP	1
2	Frame, base case	301 -1 1 0-HSP	1
3	Elevator assembly (See figure 6-5)		1
4	Plug (rubber tip), rod	301 -062-HSP	1
5	Rod, sampling	301 -061 -HSP	1
6	Rod, extraction	301 -060-HSP	1
7	Motor, elevator vials	425-01 9-HSP	1
8	PCB, TB2-optical sensor	41 5-306-HSP	1
9	Plate, bottom	301 -1 1 7-HSP	1
Associated screws and washers			
A	Screw, M3 X 1 0 pan head	051 5-0925	4
B	Washer, toothed D3	21 90-0638	4
C	Washer, flat D3	3050-0891	4
D	Screw, M4 X 1 2 pan head	051 5-0909	4
E	Washer, toothed D4	21 90-0640	4
F	Washer, flat D4	3050-0893	4

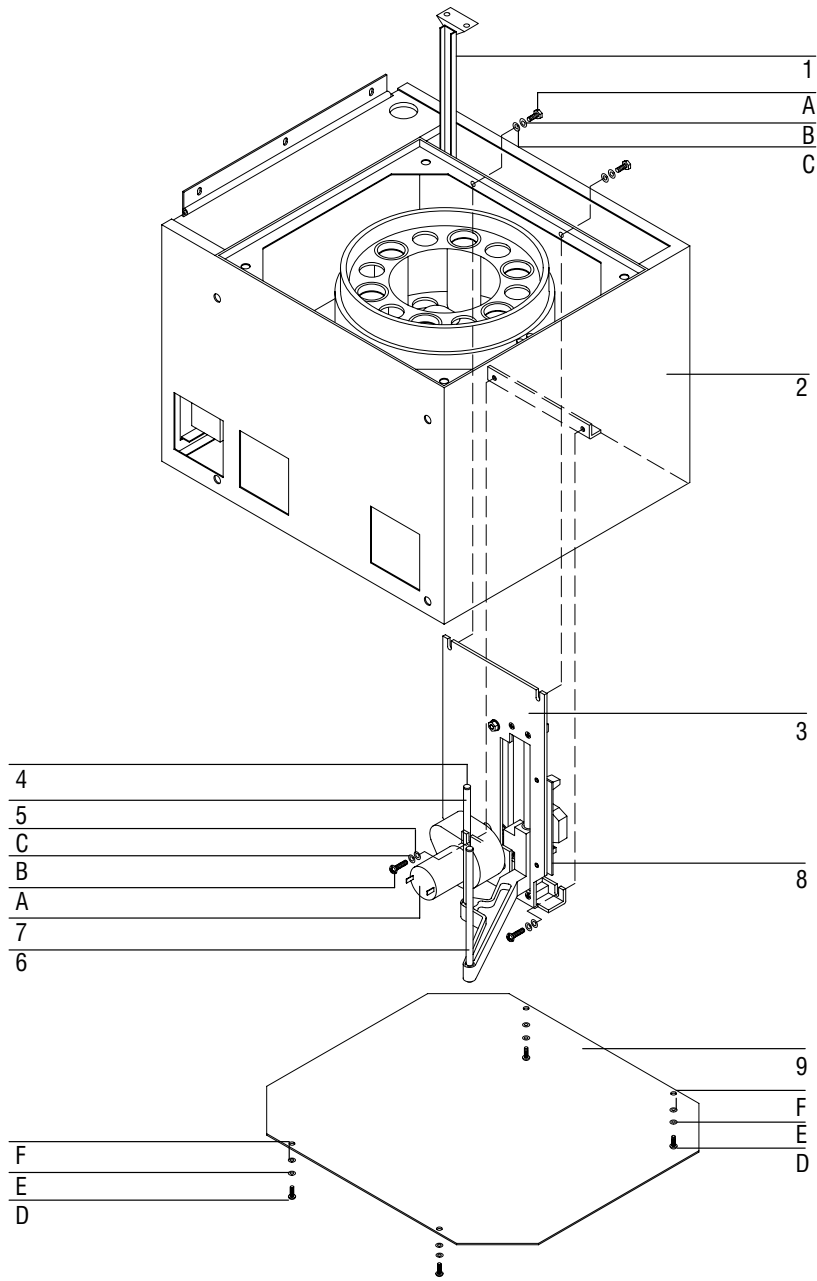


Figure 6-4. Removing the Elevator