

Item	Description	HP Part No.
1	Proportional Control Valve Replacement Kit*	19245-60890
	· Proportional Control Valve	19245-60950
	· EPC Bracket	19245-00077
	· FID Air Restrictor	19231-60610
	· M12 x Swg. Fitting	19243-20680
	· 0.239-in id O-ring	0905-1014
2	Purge Regulator (Approx. 1.5 ml)	19243-60650
3	EPC Bracket	19245-00077
4	Sensor Board, 2 Channel	19245-60020
5	Vent Torque Plate	19244-00030
6	Ungreased O-ring (Package of 12)	0905-1039 5180-4181
7	Vent Tube Weldment (without restriction)	19244-80580
8	Hex Nut with Lockwasher	0535-0043
9	Hex Nut	2950-0203
10	M12 x Swg. Fitting	19243-20680
11	PPIP Transducer Weldment	19243-80600
12	Sealing Plate	19245-00140
13	Screw, M4 x 0, 7 x 8	0515-0910
14	EPC Valve Seal Brazement, FPR	19245-80600

NOT SHOWN:

EPC Cable	19245-60700
PPIP EPC Label Plate	19243-90795

*Kit replacement necessary on early production instruments

Figure 6. EPC Purged Packed Inlet Flow Module (Sheet 1 of 2).

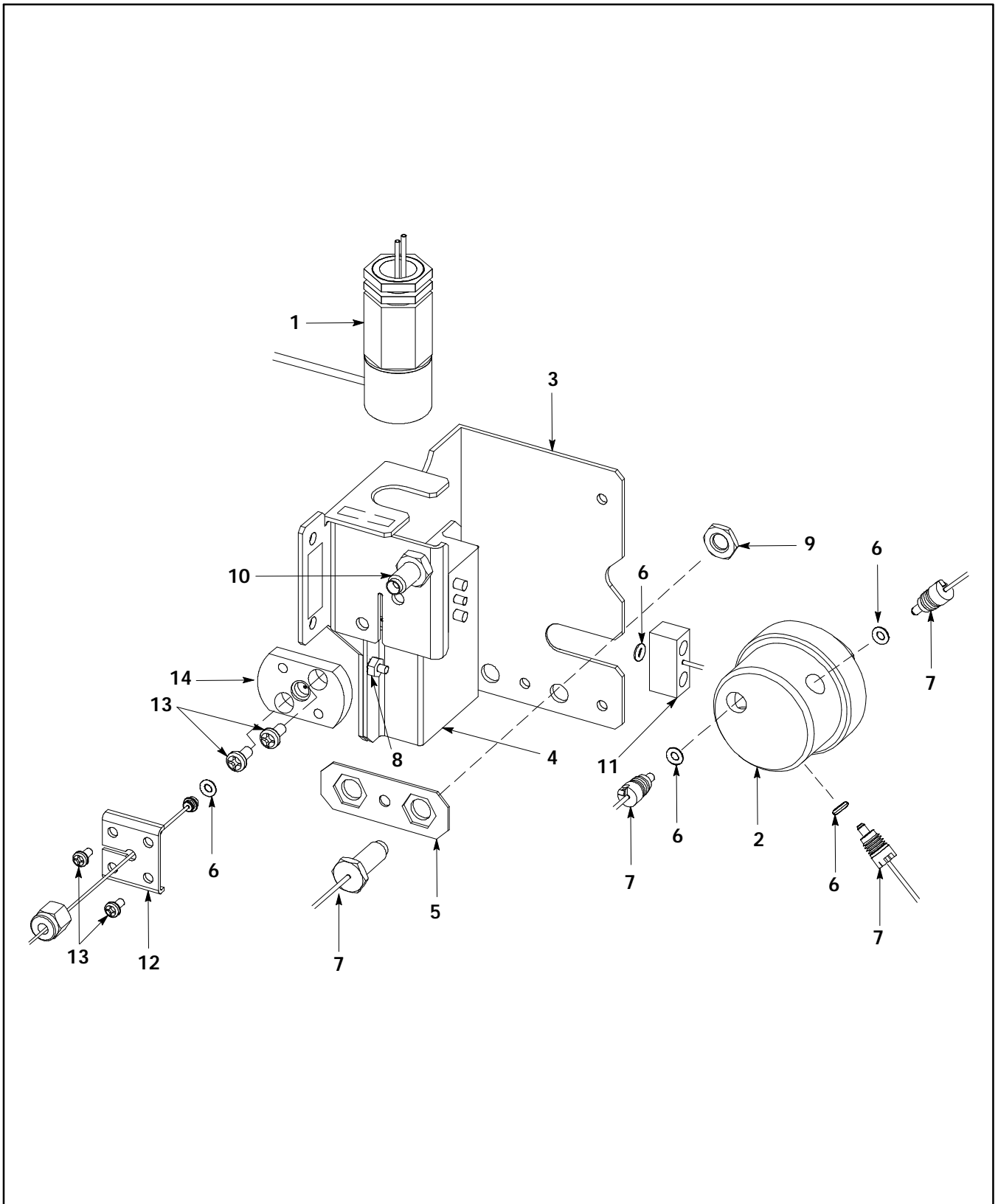


Figure 6. EPC Purged Packed Inlet Flow Module (Sheet 2 of 2).