

Oven flapper assembly

HP Part No. G1530-60770

Description	HP Part No.	Qty.
1. Dual Duct Assembly	G1530-80680	1
2. Flapper Shaft Assembly	G1530-80560	1
3. Screw, Torx T20, M4 x 12 mm	0515-2496	4
4. Stepper Motor Assembly	G1530-60940	1
5. Screw, Torx T10, M3 x 8 mm	0515-0655	2

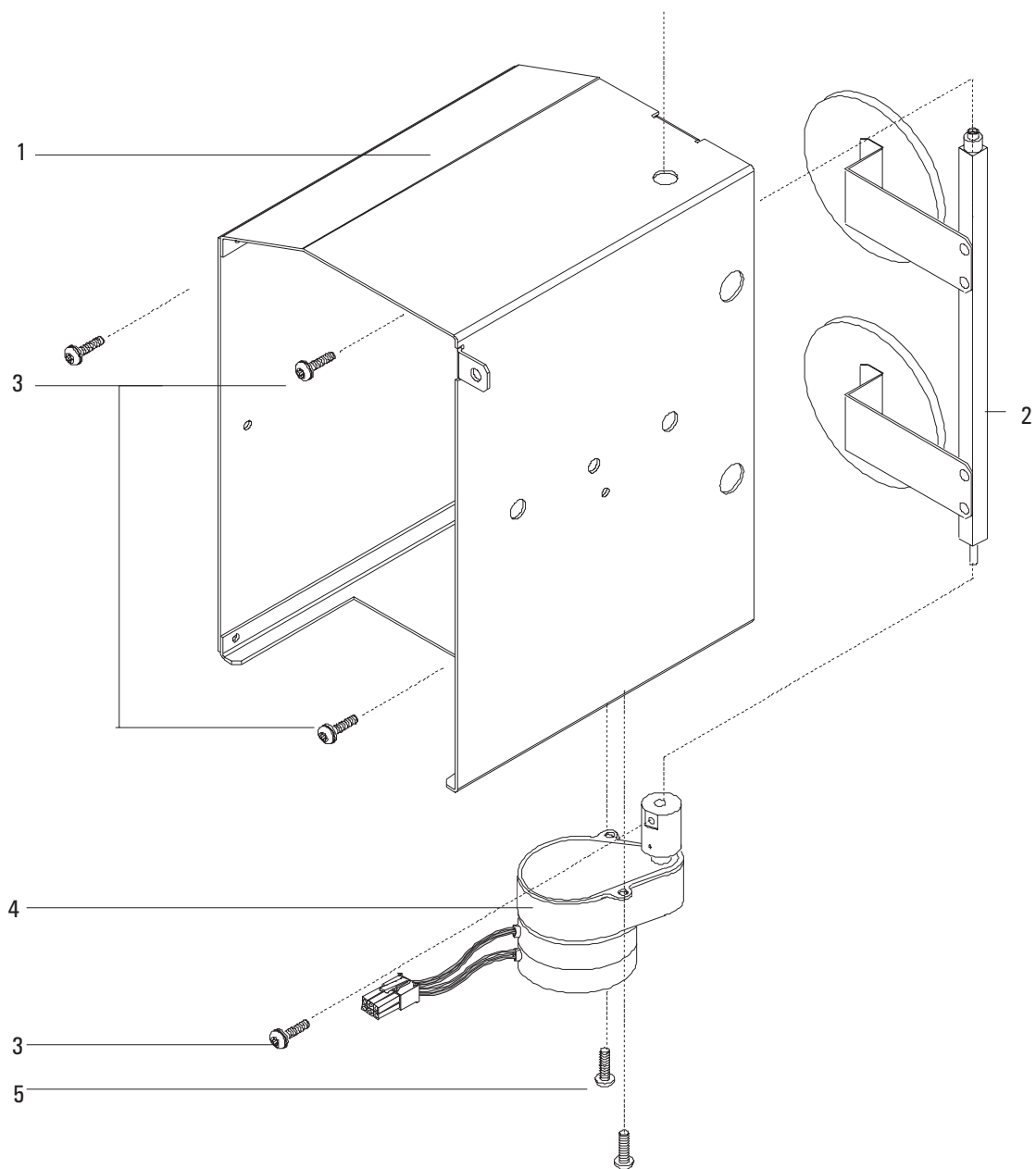


Figure 1340-2 Oven flapper assembly