

Column Compartment Parts ID

Column Compartment

Table 43-1. Column Compartment Parts

Item	Description	Part Number
2	Screw M3 - 6lg	0515-0586
3	Angle	01090-00511
4	ZDV Fitting	0100-0900
6	Oven Insulation	4040-2023
	Insulation Insert (to plug hole for CS)	4040-2026
7	Fan Assembly	3160-0402
8	Screw TPG 6-32	0624-0244
9	Fan Insulation	4040-2027
10	Cover	01090-04115
11	Screw M3 - 6lg	0515-0586
12	OVI Board	01090-66508
13	Oven Control Cable	01090-61610
14	Oven Cover Panel	01090-04504
15	Screw M3 - 6lg	0515-0586
16	Heater Assembly	01090-61105
17	Collecting Tray	4040-2024
18	Flexible Tubing	0890-1486
19	Screen	01090-04601
20	Screw TPG 6-32	0624-0244
21	Column Holder	01090-42302
22	ZDV Fitting	0100-0900
23	Clamp	01090-21202
24	Screw M4 - 4lg	0515-1229

Heated Column Compartment

Table 43-1. Column Compartment Parts (continued)

Item	Description	Part Number
	Door Assembly <i>Series I</i>	01090-60301
	Door Assembly <i>Series II</i>	01090-60303
	Hinge	3110-0162
	Screw M2.5 - 8lg for Hinge	0515-1121
	Catch Magnetic	1390-0680
	Screw M3 - 6lg for catch magnetic	0515-0890
	Temperature Sensor	01090-61604
	Thermal compound	6040-0454
	Cooling Capillaries (opt)	01090-87612
	Column Connector 75mm, 0.12mm i.d.	01090-87611

Heated Column Compartment

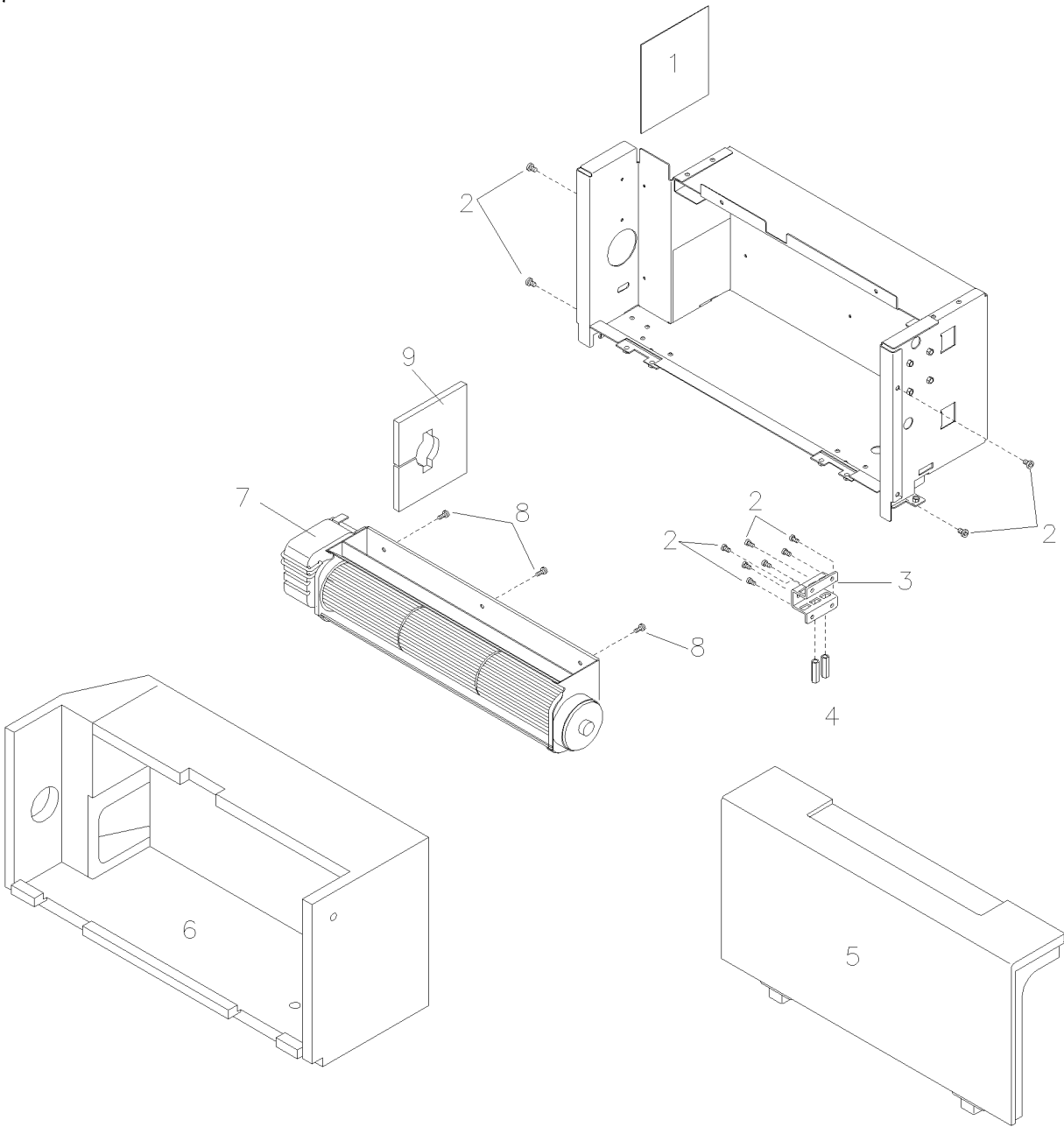


Figure 43-1. Column Compartment

Heated Column Compartment

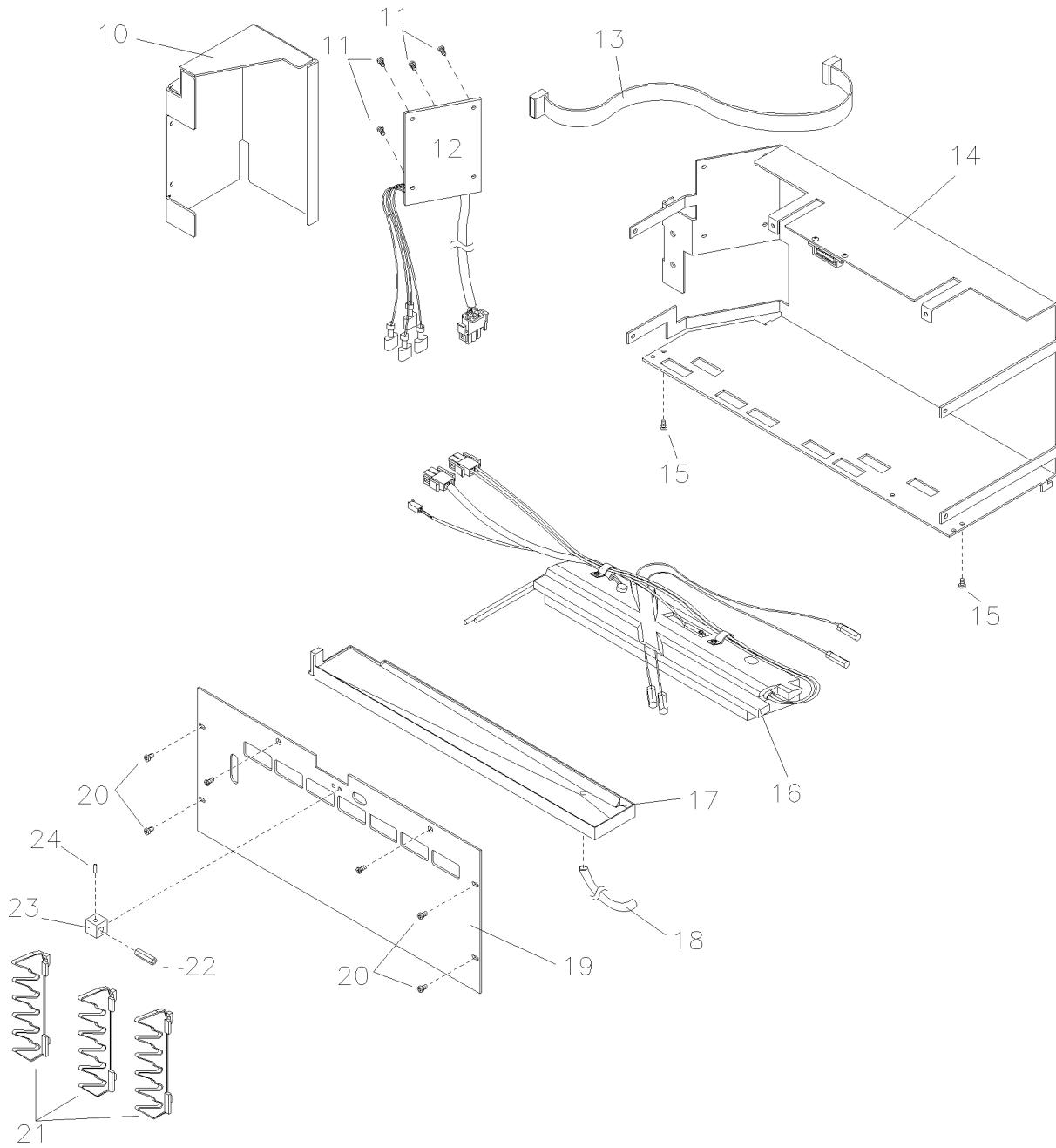


Figure 43-2. Column Compartment