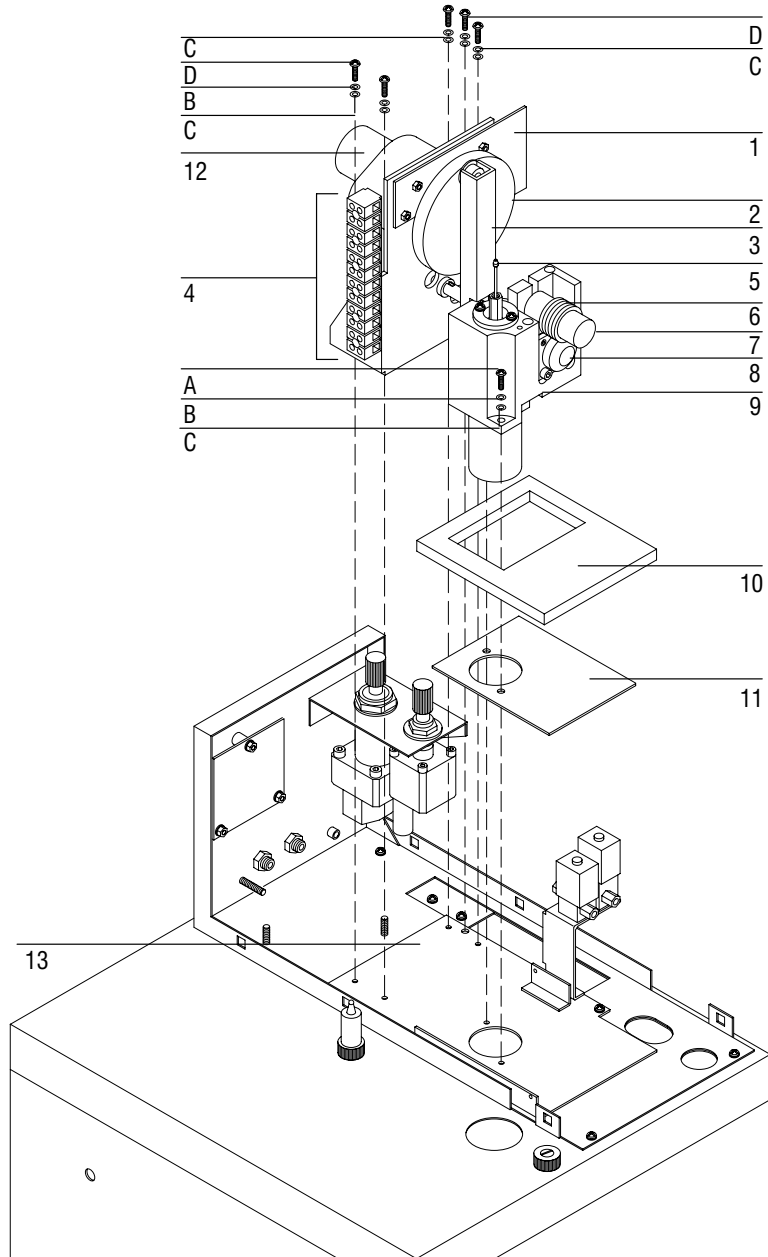


---

## 7694 Major Subassemblies

	<b>Description</b>	<b>HP Part No.</b>	<b>Qty</b>
1	PCB, TB1 Valve Actuator Sensor Assembly	41 5-301 -HSP	1
2	Disk, 6-port valve	301 -034-HSP	1
3	Lever	301 -036-HSP	1
4	Terminal block	465-509-HSP	1
5	Needle-assembly	301 -01 3-HSP	1
	Needle-assembly Silcosteel	301 -220-HSP	
6	Loop, sampling 1 cc Ni, or	321 -055-HSP	1
	Loop, sampling 3 cc Ni, or	321 -056-HSP	
	Loop, sampling 1 cc Silcosteel, or	321 -058-HSP	
	Loop, sampling 3 cc Silcosteel	321 -059-HSP	
7	Mandrel, loop	301 -091 -HSP	1
8	Valve, 6-port MV65	366-1 02-HSP	1
9	Body, manifold	301 -039-HSP	1
1 0	Isolation, silicon rubber layer	301 -001 -HSP	1
1 1	Isolation, plate	301 -1 22-HSP	1
1 2	Motor, 6-port valve actuator	425-01 9-HSP	1
1 3	Plate, manifold	301 -1 21 -HSP	1
<b>Associated screws and washers</b>			
A	Screw, M4 X 1 6	051 5-0983	1
B	Washer, toothed D4	21 90-0640	6
C	Washer, flat D4	3050-0893	6
D	Screw, M4 X 1 2	051 5-0909	5



**Figure 5-6.** Major Subassemblies