
7694 Oven Unit, Back Cover

| | Description | HP Part No. | Qty |
|--|---------------------------------|--------------------|------------|
| 1 | Main, switch | 485-047-HSP | 1 |
| 2 | Plate, back | 301 -1 1 8-HSP | 1 |
| 3 | PC board—220 V, or | 41 5-31 8-HSP | |
| | PC board—1 1 5 V, or | 41 5-31 9-HSP | |
| | Rebuilt PC board—220 V, or | 41 5-322-HSP | |
| | Rebuilt PC board—1 1 5 V | 41 5-323-HSP | |
| 4 | Main, fuses holder | 485-048-HSP | |
| | Fuses: 6A, F6 and switch module | 445-072-HSP | 2 |
| | 3A, Switch module only | 445-069-HSP | 2 |
| 5 | Screen, power supply | 301 -1 89-HSP | 1 |
| Associated screws, washers, nuts, and spacers | | | |
| A | Screw, M3 X 1 0 flat head | 051 5-1 005 | 2 |
| B | Spacer, Nylon 1 0 X 4.5 X 4 | 301 -1 05-HSP | 8 |
| C | Washer, flat D3 | 3050-0891 | 2 |
| D | Washer, toothed D3 | 21 90-0638 | 2 |
| E | Nut, M3 | 0535-0004 | 2 |
| F | Washer, flat D4 | 3050-0893 | 8 |
| G | Washer, toothed D4 | 21 90-0640 | 8 |
| H | Nut, M40535-0006 | 8 | |
| I | Screw, M4 X 1 2 pan head | 051 5-0909 | 2 |
| J | Washer, flat M5 | 3050-0894 | 2 |
| K | Washer, toothed M5 | 21 90-0641 | 2 |
| L | Nut, M50535-0005 | 2 | |

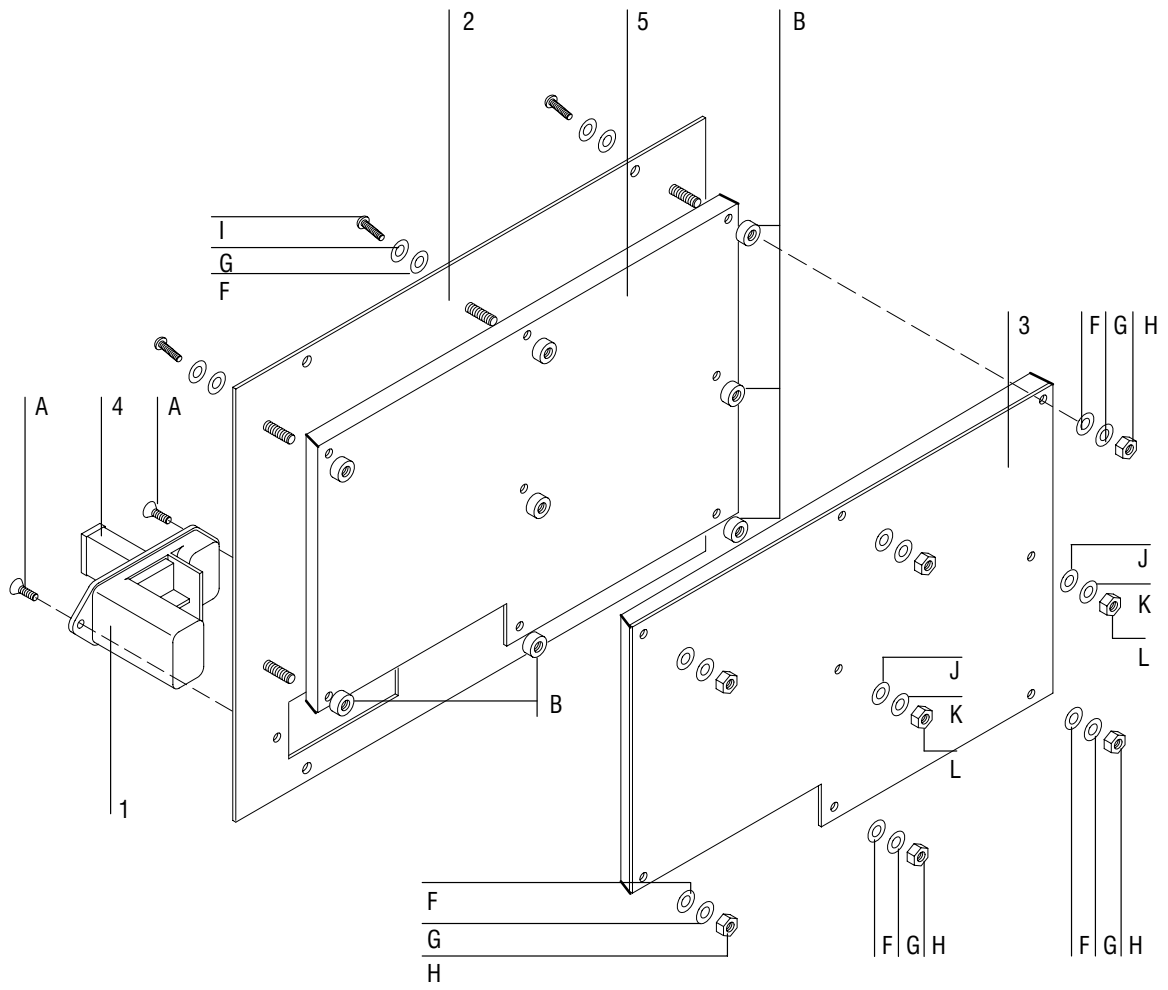


Figure 6-11. The Back Cover