

Purged/Packed Inlet

Description	HP Part No.	Qty.
1. Screws, Torx T20, M4X 12 mm (Captive)	1390-1023	3
2. Top Cover Plate	G1543-00085	1
3. Top Insulation	G1543-00100	1
4. Septum Nut	18740-60835	1
5. Septum, 11 mm, Low Bleed (50/pkg)	5182-0739	–
6. Top Insert Weldment	19243-80570	1
7. Viton O-ring (Pkg/12)	5080-8898	1
8. Heater/Sensor Assembly	G1543-61540	1
9. Screw, Torx T10, M3 x 16 mm	1390-1022	1
10. Inlet Weldment	G1543-80580	1
11. Top Gasket Insulation (not shown)	G1543-00155	1
12. Thermal Block	G1543-20765	1
13. Bottom Nut	G1543-20580	1
14. PPIP Insulation	G1543-00030	1
15. PPIP Bottom Insulation	G1543-00070	1
16. Glass Insert (Pkg/25)	5080-8732	1
17. Vespel Ferrule (Pkg/10)	5080-8774	1
18. Tubing Nut (1/4" brass)	5180-4105	10/pkg
19. 530- μ Column Liner (See Consumables Catalog)	19244-80540	1
1/8" Column Adapter (Optional)	19243-80510	–
20. Nutwarmer Insulation	19234-60715	3
21. Nut Warmer Cup	19234-60700	1
22. Ferrules (identify by internal diameter):		
Solid Ferrule Plug (no hole)	5181-7458	1
Graphite Ferrule 0.5 mm ID	5080-8853	10/pkg
Graphite Ferrule 1.0 mm ID	5080-8773	1
23. Column Nut (Order No. 5180-8830 2/pkg)	18740-20870	1

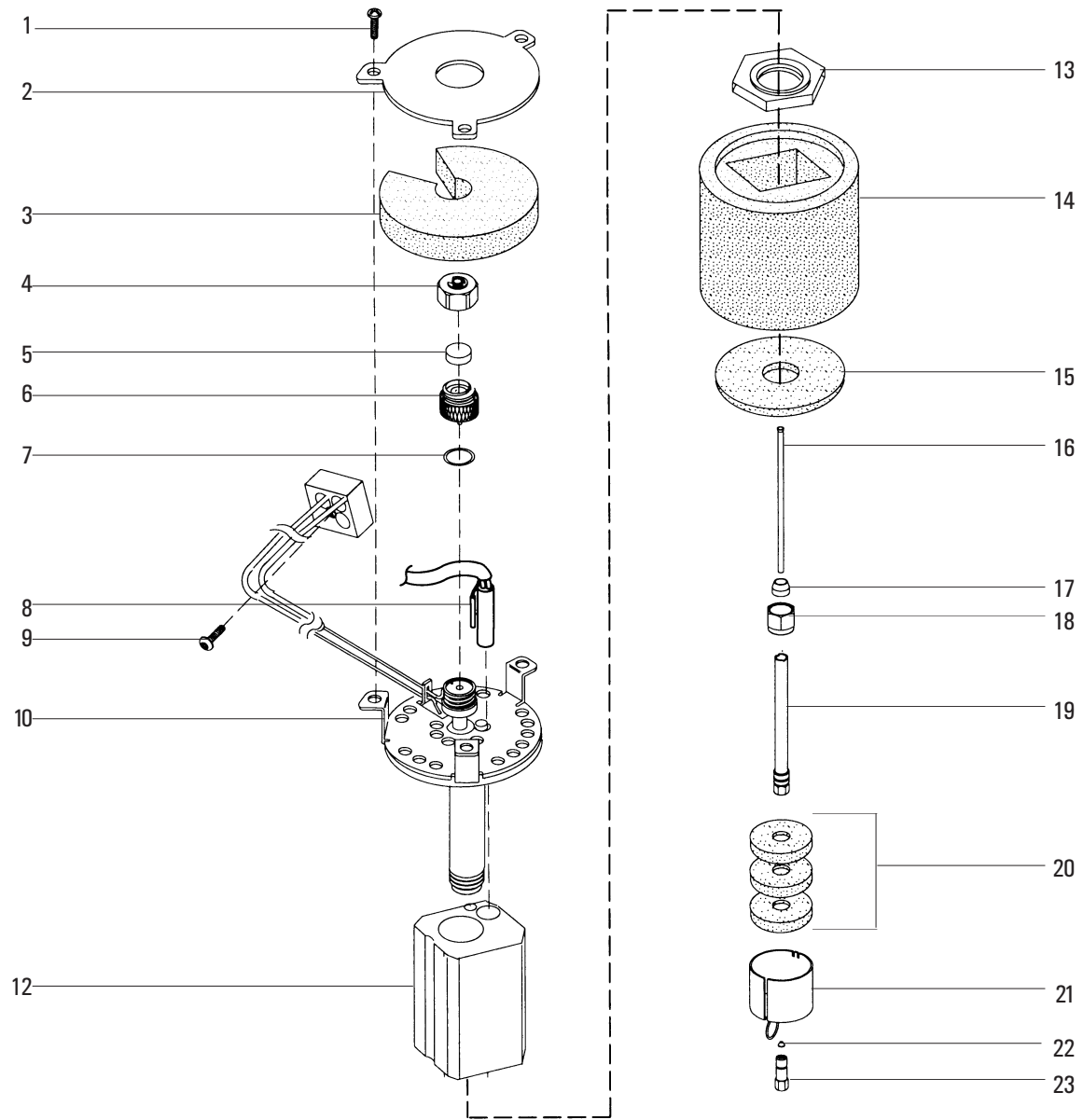


Figure 1310-5 Explodes diagram of the Purged Packed Inlet.