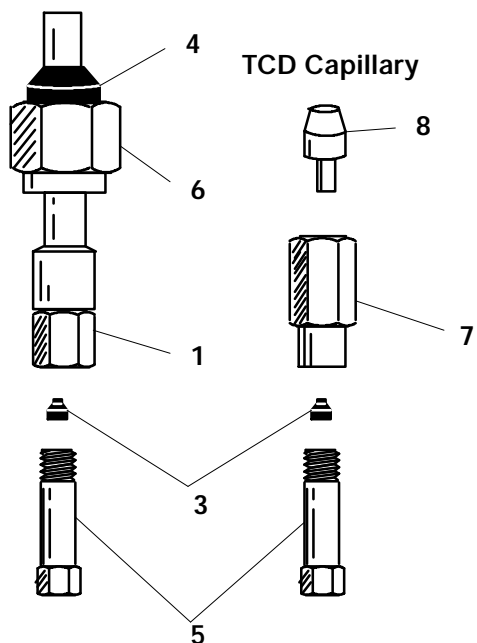


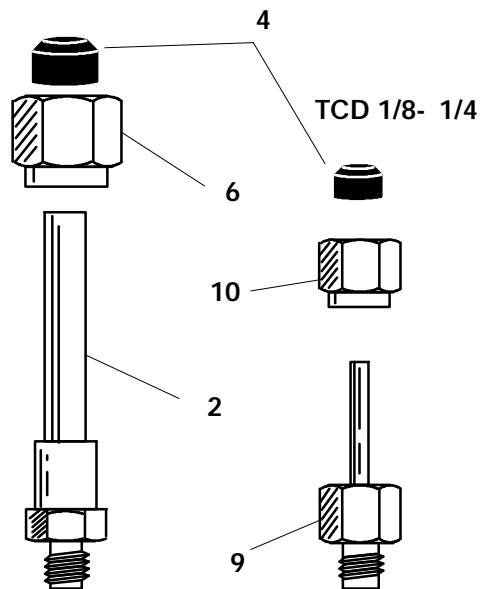
Item	Detector	Column Type	HP Part No.
1	FID/NPD	1/4- inch Packed Column	19231- 80530
2	FID/NPD	1/8- inch Packed Column	19231- 80520
3	FID/NPD	Capillary Column	19242- 80610
4	FID/NPD	Capillary Column nut	18740- 20870
5	FID/NPD	Vespel Ferrule, 1/4- inch	5080- 8774
6	FID/NPD	Graphite Ferrule, 0.5 or 1- mm	Table 4- 1
7	FID/NPD	Tubing Nut, 1/4- inch	0100- 0056
-	TCD/ECD	(Refer to Sheet 3)	-
8	FPD	Capillary Column	19256- 80570
9	FPD	1/8- inch Packed Column	19256- 80590

Figure 7. Detector Column and Makeup Gas Adaptors (Sheet 1 of 3).

ECD Capillary

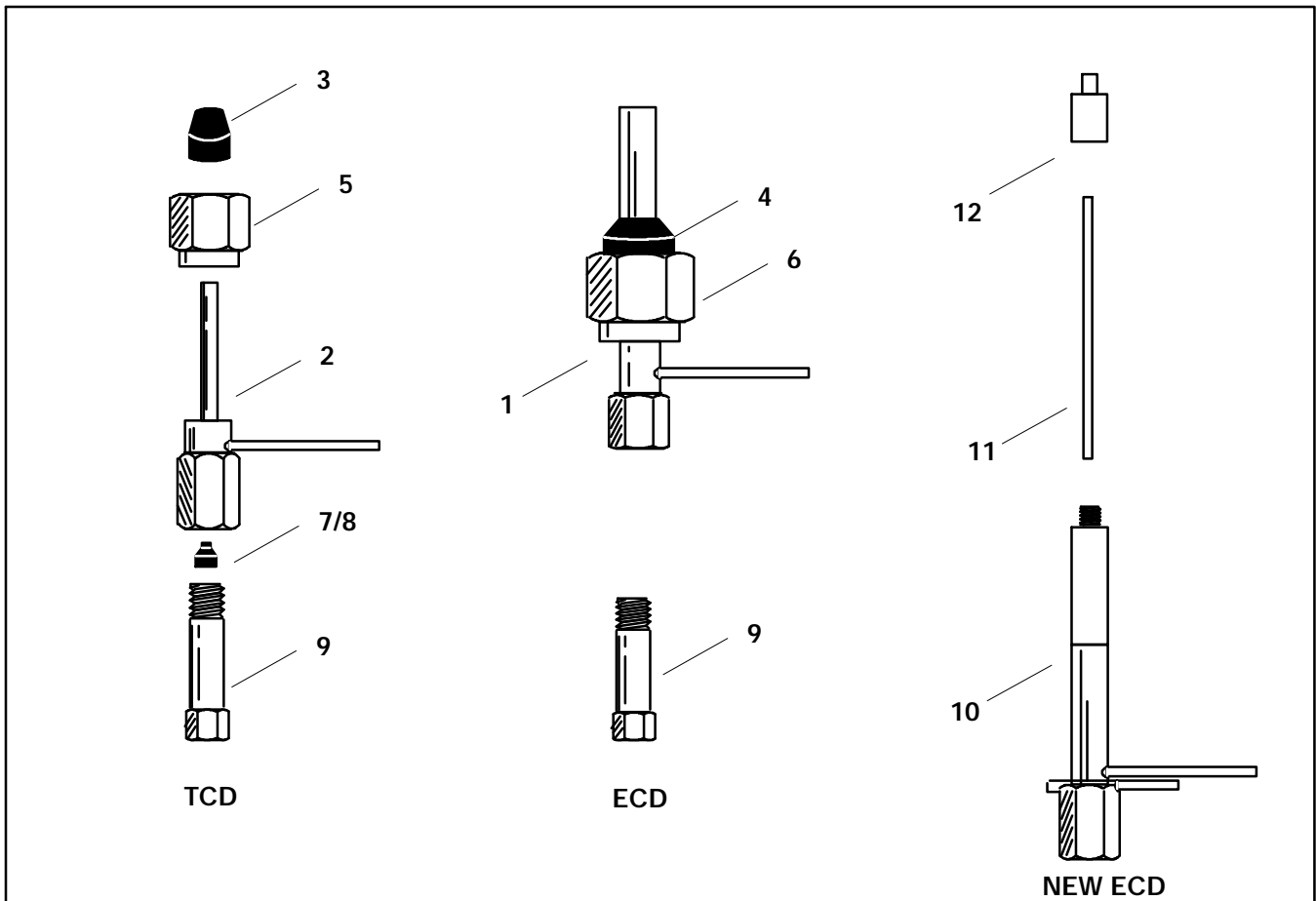


ECD 1/4- 1/8



Item	Description	HP Part No.
1	ECD Column Adaptor for Glass and HP Series 530 μ	19244- 80550
2	ECD Column Adaptor, 1/4- inch to 1/8- inch metal	19301- 80530
3	Vespel Ferrule, 1/4- inch id (graphitized or plain)	Table 4- 1
4	Graphite Ferrule, 0.5 or 1.0- inch id	Table 4- 1
5	Capillary Column Nut	18740- 20870
6	Tubing Nut, 1/4- inch tube (brass)	0100- 0056
7	TCD Column Adaptor Nut for Glass/HP Series 530 μ	18740- 20960 and
8	TCD Column Adaptor Seal	18740- 20950
9	TCD Column Adaptor, 1/8- inch to 1/4- inch Glass	19302- 80020
10	Tubing Nut, 1/8- inch tube (brass)	0100- 0058

Figure 7. Detector Column and Makeup Gas Adaptors (Sheet 2 of 3).



Item	Description of Liner	HP Part No.
1	Makeup Gas Adapter, ECD	19233- 80550
2	Makeup Gas Adaptor	19232- 80550
3	Vespel Ferrule*, 1/8- inch id	Table 4- 1
4	Vespel Ferrule*, 1/4- inch id	Table 4- 1
5	Tubing Nut, 1/8- inch tube (brass)	0100- 0058
6	Tubing Nut, 1/4- inch tube (brass)	0100- 0056
7	Graphite Ferrule, 0.5- mm id (10 pack)	Table 4- 1
8	Graphite Ferrule, 1.0- mm id (10 pack)	Table 4- 1
9	Capillary Column Nut	18740- 20870
10	New ECD Makeup Gas Adapter	19233- 80565
11	Gigabore Liner	19233- 20625
12	End Cap	19233- 20755

* = Graphitized Vespel Ferrule or Plain Vespel Ferrule

Figure 7. Detector Column and Makeup Gas Adaptors (Sheet 3 of 3).