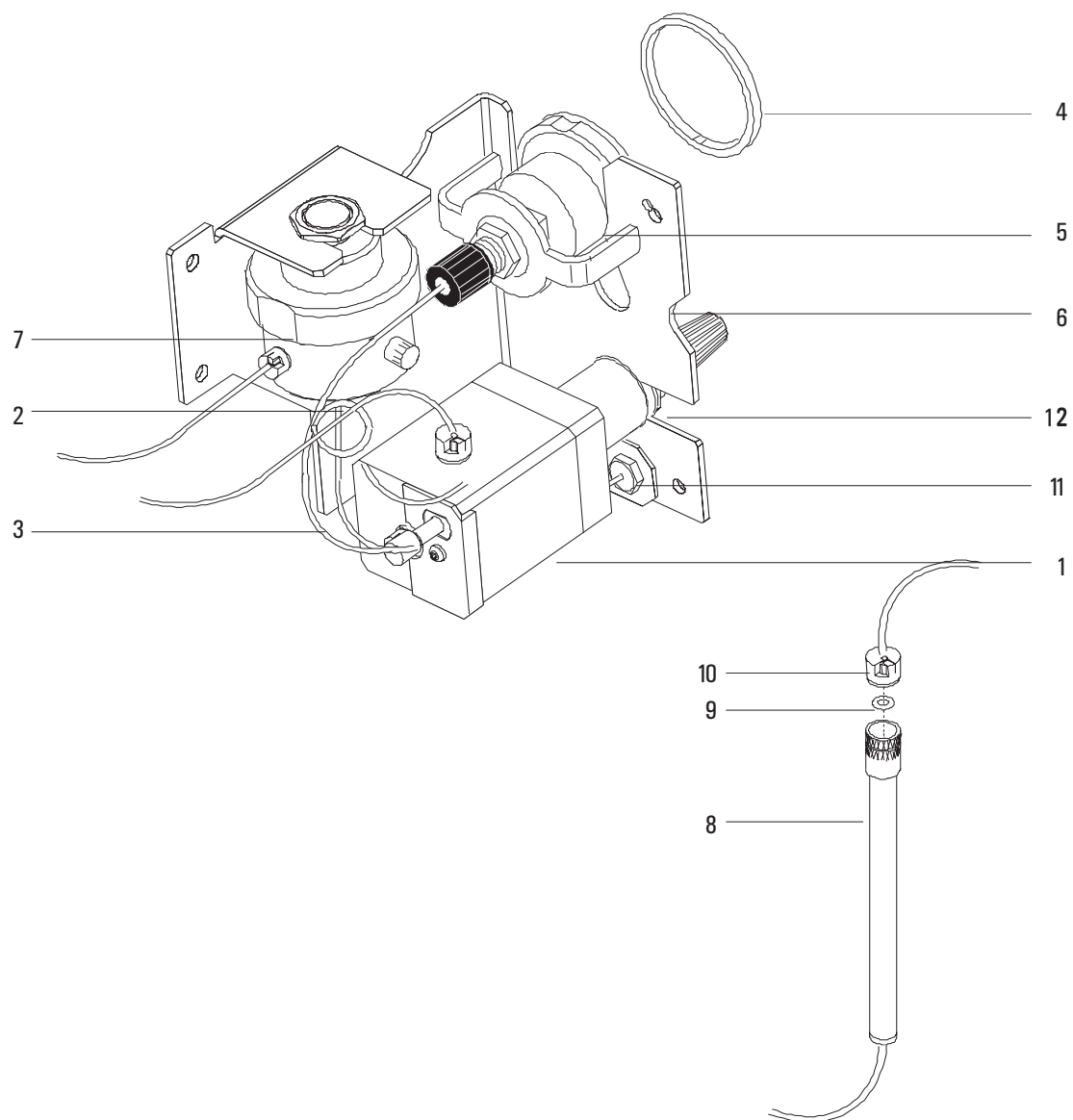


Purged/Packed Inlet Manual Pneumatic Module and Inlet (HP part no. G1543-65505)

Description	HP Part No.	Qty.
1. Mass Flow Controller, 0–20 mL/min	19362-60565	1
2. Gauge Jumper Weldment	19243-80555	1
3. Purge Vent Tube Weldment	19244-80580	1
4. Pressure Gauge Spacer	19243-40010	1
5. Pressure Gauge (0–100 psi)	19361-60565	1
6. Flow Module Bracket	19245-00105	1
7. Septum Purge Regulator	19243-60650	1
8. Chemical Trap Assembly	05980-80710	1
9. M8 O-ring, Ungreased	5180-4181	10
10. M8 Plastic Fitting	5181-3394	10
11. Vent Torque Plate	19244-00030	1
12. Hex Nut, 5/16-inch	2950-0203	1
NS Fitting, MFC/PPIP Adapter	G1543-20540	1
NS PPIP/PCOC MNL-EPC Adapter Assy	G1545-80510	1
NS Blank Label Plate	G1530-90705	1
NS PPIP Label Plate	G1530-90740	1
NS Torx Screw, M3 x 16, T10	1390-1022	1
NS Torx Screw, M4 x 12, T20	1390-1023	3

Packed Inlet Optional Flow Restrictors

Colored Dot Code	Supply Pressure	Flow Range (mL/min)	HP Part No.
Red and purple	50	0–20	19362-60515
Blue and purple	50	0–60	19362-60525
Green and purple	50	0–110	19362-60535

Purged/Packed Inlet Manual Pneumatic Module and Inlet**Figure 1310-8 Purged/Packed Inlet Manual Pneumatic Module**