

Manual inlet flow manifold carrier (G1585A Accessory)

Description	HP Part No.	Qty.
1. Pneumatic Carrier Assembly	G1530-60950	1
2. Screw, M4x25 mm, Torx T-20	0515-2712	2
3. Screw, M4x12 mm, Torx T-20	0515-2496	4
4. Chemical Trap Bracket	05890-00810	1
5. Screw, M4 x10 mm, Torx T-20, Flathead	0515-2725	2
6. Flow Side Cover	G1530-01240	1

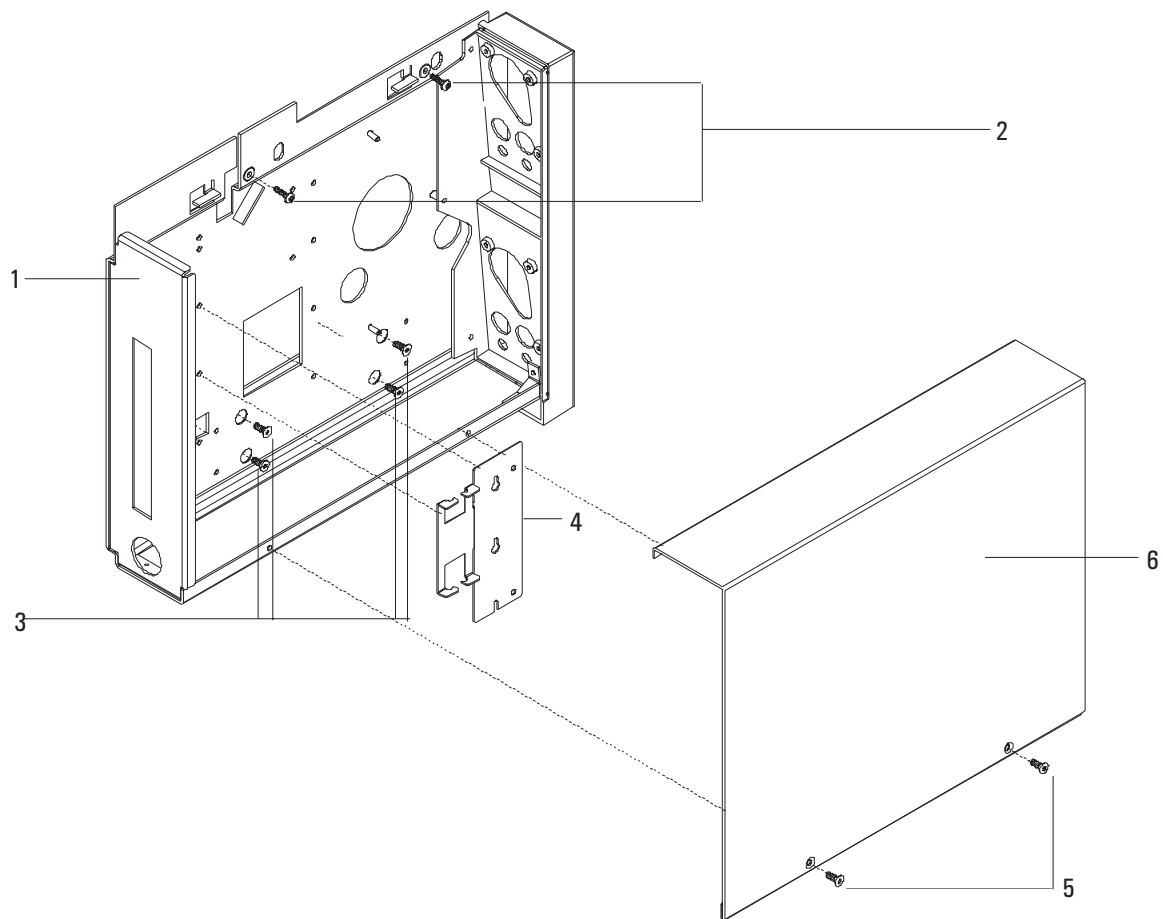


Figure 1330-3 Manual inlet flow manifold carrier