

**Accessory Kit****Accessory Kit**

This kit contains some accessories and tools needed for the installation and repair of the detector.

**Table 24****Accessory Kit Parts**

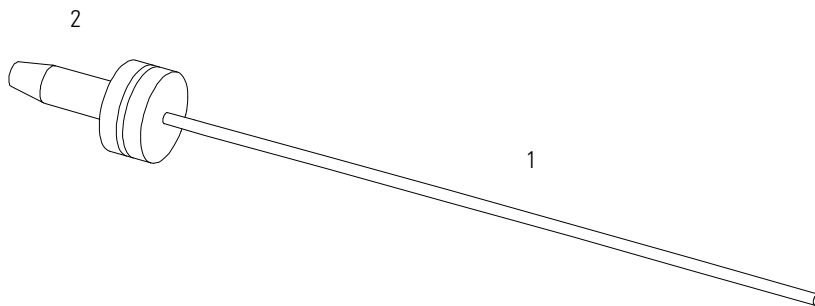
<b>Item</b>	<b>Description</b>	<b>HP Part Number</b>
	Accessory kit	G1315-68705
	Tubing flexible (to waste) 1.2 m lg	0890-1711
1	Tubing flexible (to waste) 2 m lg	0890-1713
2	Fitting male PEEK, Qty=1	0100-1516
3	Capillary column – detector 380 mm lg, 0.17 i.d. includes items 4, 5 and 6 (not assembled)	G1315-87311
4	Ferrule front SST, qty=1	0100-0043
5	Ferrule back SST, qty=1	0100-0044
6	Fitting SST, qty=1	79814-22406
	Hex key set 1 – 5 mm	8710-0641
	Wrench open end 1/4 – 5/16 inch	8710-0510
	Wrench open end 4 mm	8710-1534
	ESD wrist strap	9300-1408

For item number refer to Figure 53 and Figure 54.

**Accessory Kit**

**Figure 53**

**Waste Tubing Parts**



**Figure 54**

**Inlet Capillary (Column-Detector) Parts**

