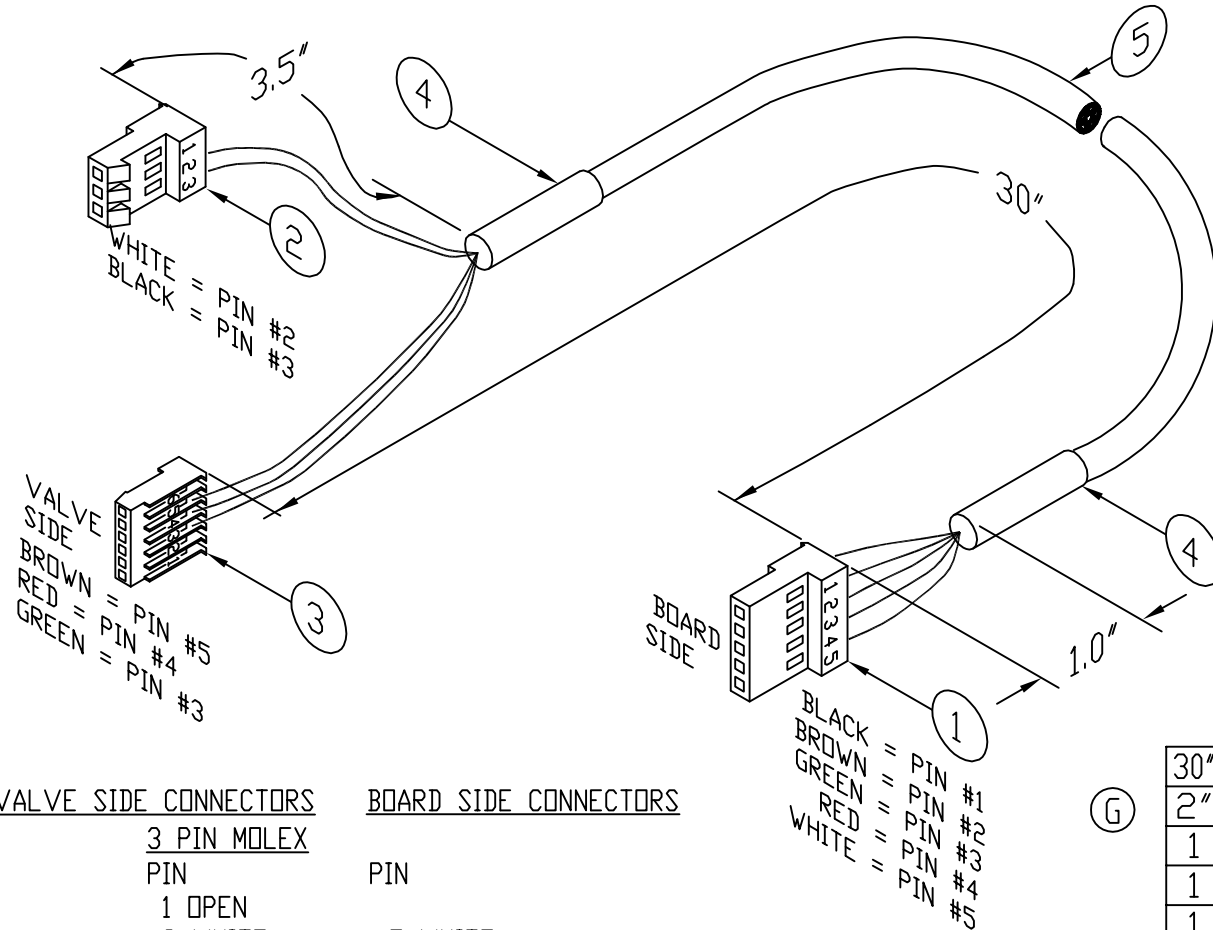


REVISIONS

REV	DESCRIPTION	DATE	DR.	APPD.
B	PER CN 891023-1	10/89	KKM	
C	PER CN 900402-1	04/90	KKM	
D	PER CN 901011-02	10/90	KKM	
E	930729-01 <small>REMOVED 14-3032-035 TERMINAL HOUSING 3 COND AND 14-0304-035 TERMINAL CRIMP, ADDED 14-3189-035 CONN.</small>	08/20/93	KKM	
F	931011-01 <small>ADDED F1 TEST PROCEDURES.</small>	04/25/94	KKM	
G	101210-01 <small>RPLCD 14-0827-030 W/ 12-0351-030</small>	12/10/10	LAA	

F1 TEST:

- 1) TEST CABLE USING A VOLT METER, CHECKING FOR CONTINUITY FROM PIN TO PIN (USING PIN CHART ON PRINT)
- 2) TUG ON WIRES TO ENSURE PROPER INSTALLATION.
- 3) OVERALL LENGTH SHOULD BE 30".



VALVE SIDE CONNECTORS

3 PIN MOLEX

PIN

1 OPEN

2 WHITE ----- 5 WHITE

3 BLACK ----- 1 BLACK

6 PIN MTA

1 OPEN

2 OPEN

3 GREEN ----- 3 GREEN

4 RED ----- 4 RED

5 BROWN ----- 2 BROWN

6 OPEN

BOARD SIDE CONNECTORS

PIN

8			
7			
6			
5			
4			
3			
2			
1			
DASH NO.	NEXT ASSY APPLICATION	USED ON	FINISH

30"	5	14-1654-029	CABLE 5 COND 22 AWG.
2"	4	12-0351-030	HEATSHRINK 1/4"
1	3	14-3031-035	CONNECTOR 6 PIN MTA 0.100 CTR
1	2	14-3189-035	CONN, 3 COND MTA W/LOCK
1	1	14-1534-035	CONNECTOR, MTA, 5 COND, 22 AWG

(G)

DR. K.ROE 12/17/87

CHECK: K.McQUAIDE 10/26/90

APPD. D.STARK 10/30/90

0056301G

TITLE

CABLE 8 PORT VALVE
MODEL 2032

SIZEDWG. NO.

14-3201-000

REV

G

SCALE NONE 02/01/91 17:05.49

SHEET 01 OF 01