

Item	Description	HP Part No.	Qty.
1	Screw, M4 x 6 mm long	0515- 0070	2
2	Screw, M4 x 25 mm long	0515- 0072	2
3	J- Clamp	19231- 00040	1
4	Heater/Sensor Assembly:	05890- 61140	1
5	● Heater	19231- 60620	1
6	● Contact	1251- 1679	2
7	● PRT Sensor	19231- 60660	1
8	● Contact	1251- 5963	2
9	● Flexible Sleeving (ordered by the inch)	0890- 0737	20
10	ECD Assembly, General License or Specific License (Not Shown)	not available*	1
11	Top Insulation	19233- 40020	1
12	Flange Insulation	19233- 40010	1
13	Transfer Line Insulation	19232- 00090	1
14	Tubing Adaptor	5020- 8231	1
15	Vent Elbow, Stainless Steel	19303- 20590	1
16	Flexible Vent Tube, 48 inches long	0890- 0934	1
17	Interconnect Assembly	19233- 60600	1
18	Thermal Strap	19133- 80010	1
19	Thermal Cover	19233- 80040	1
20	ECD Heated Block Weldment	19233- 80510	1
21	Shield (Front "A")	19233- 00040	1
	(Rear "B")	19233- 00050	1

**NOTE**

The shield is different depending on which detector opening is being used ("A" or "B"). Detector is shown installed in the "B" position.

22	Hex Nut, M3	0535- 0004	3
23	Lock Washer	2190- 0407	3
24	Makeup Gas Adaptor (Refer to Figure 7 for additional adaptors)	19233- 80550	1

\* = restricted article; replace entire detector:  
 General License - 19233- 69570  
 Specific License - 19235- 69530

**Figure 4. 19233A/19235A Electron Capture Detector (ECD) (Sheet 1 of 2).**

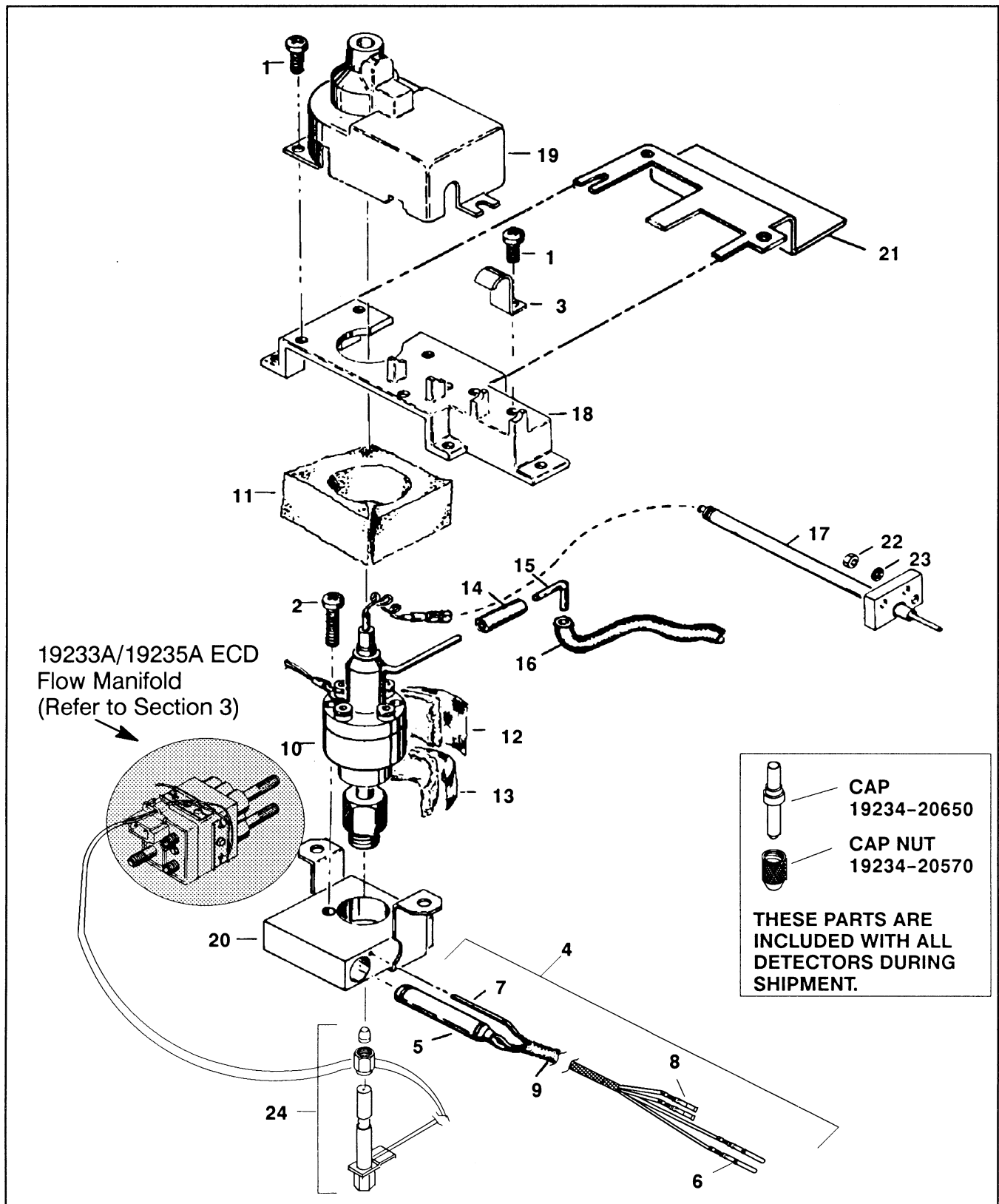


Figure 4. 19233A/19235A Electron Capture Detector (ECD) (Sheet 2 of 2).