
Temperature-Controlled Autosampler

Table 38-2. TCAS Parts

Item	Description	Part Number
	Fan Assembly	79847-61601
	CPS Lightswitch Board	79847-66510
	MIP Lightswitch Board	79847-66511
	VCS Lightswitch Board	79847-66512
	Carriage Motor Assembly ¹	79847-67901
	Magazine Motor Assembly ¹	79847-67902
	SCO Leak Cover	79847-00601
1	Pipe Insulation	4320-0409
2	Heat Exchanger Unit, contains:	
	Heat Exchanger Box	79847-05501
	Heat Exchanger Cover	79847-04101
	Heat Exchanger	79847-42001
	Fan	79847-61601
	White plastic fittings for connecting cooling bath tubing	0100-1402
3	Screw	0515-0886
4	Support Plate	79847-84701
5	Label	
6	Screw	0515-1117
7	Washer	3050-0893
8	Drip Tray	79847-00604
9	Screw	0515-0886
10	Cover Valve <i>Series I</i>	79847-04104
	Cover Valve <i>Series II</i>	79847-04110
11	Cover Syringe <i>Series I</i>	79847-04103
	Cover Syringe <i>Series II</i>	79847-04109
12	Washer	3050-0891
13	Screw	0515-0886
14	Bottle Extractor	79847-44901
15	Rear Panel	79847-04111

¹ Use only Berger-Lahr motors (see “New Stepper Motors” in Chapter 35).

Autosampler and Temperature-Controlled Autosampler

Table 38-2. TCAS Parts (continued)

Item	Description	Part Number
16	Drip Cover	79847-00603
17	Enclosure <i>Series I</i>	79847-44401
	Enclosure <i>Series II</i>	79847-64401
18	Screw	0515-0886
19	Washer	3050-0891
20	Insulation left	79847-45405
21	Insulation right	79847-45403
22	Lid <i>Series I</i>	79847-44402
	Lid <i>Series II</i>	79847-64402
23	Screw	0515-0539
24	Collar	79847-22308
25	Collar	79847-22309
26	Spring	1460-2076
27	Screw	0515-1115
28	Washer	3050-0893
29	Leak Cover	79847-00602
30	Leak Tray	79847-00605

Autosampler and Temperature-Controlled Autosampler

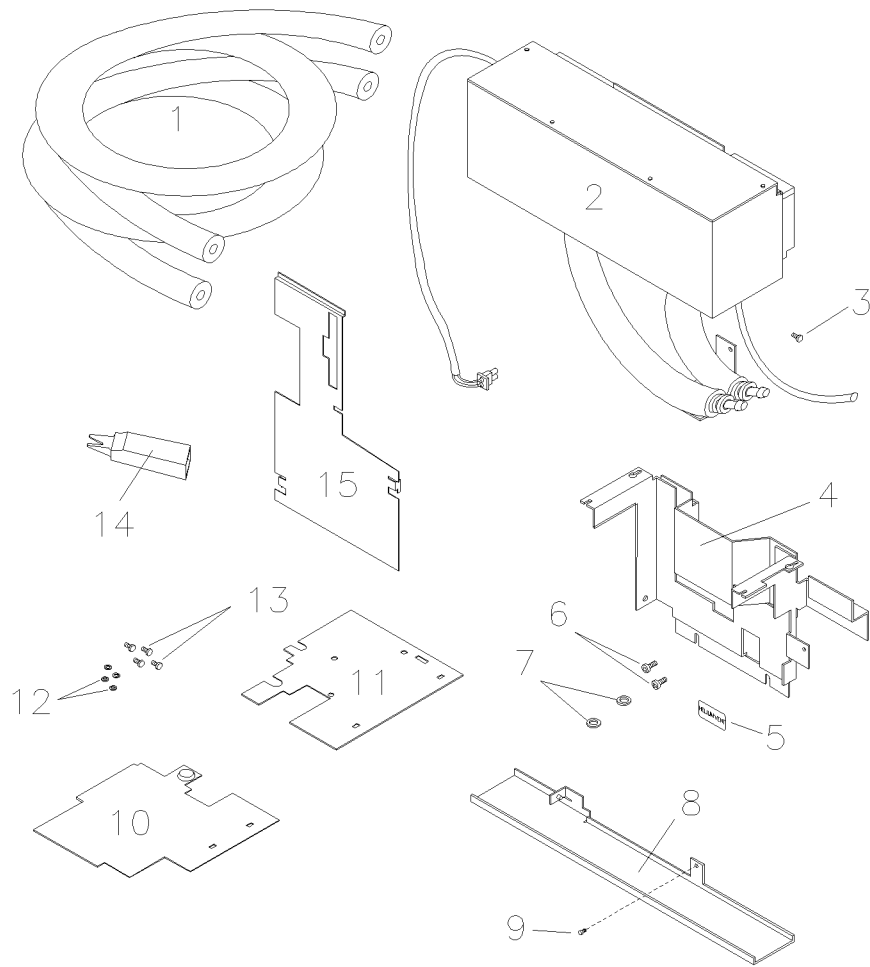


Figure 38-3. Temperature Controlled AS

Autosampler and Temperature-Controlled Autosampler

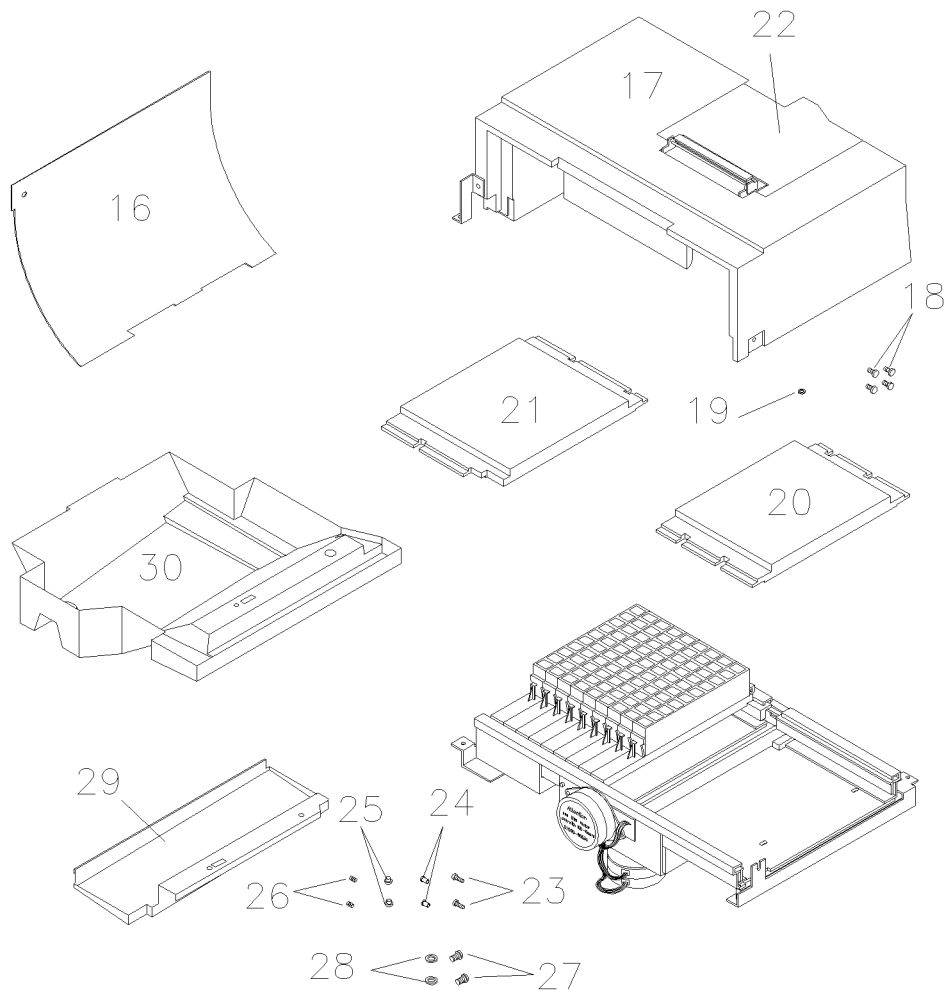


Figure 38-4. Temperature Controlled AS