

Item	Description	HP Part No.	Qty
1	Screw, M4 x 12 mm	0515-0910	6
2	Fin	19243-00110	1
3	Top Cover	19243-00080	1
4	Top Insulation	19243-00100	1
5	Heater/Sensor Assembly	05890-61140	1
6	● Cartridge Heater, 70 W	19231-60620	1
7	● Contact	1251- 1679	2
8	● PRT (Sensor) Assembly	19231-60660	1
9	● Contact	1251- 5963	2
10	● Insulation Sleeving (ordered by the inch)	0890- 0737	22
11	Purged-Packed Inlet Weldment Assembly (See sheet 4 for breakdown)		
12	Bottom Insulation	19243-00060	1
13	Bottom Insulation Cover	19243-00070	1

Figure 3. Septum-Purged Packed Column Inlet (Sheet 1 of 4).

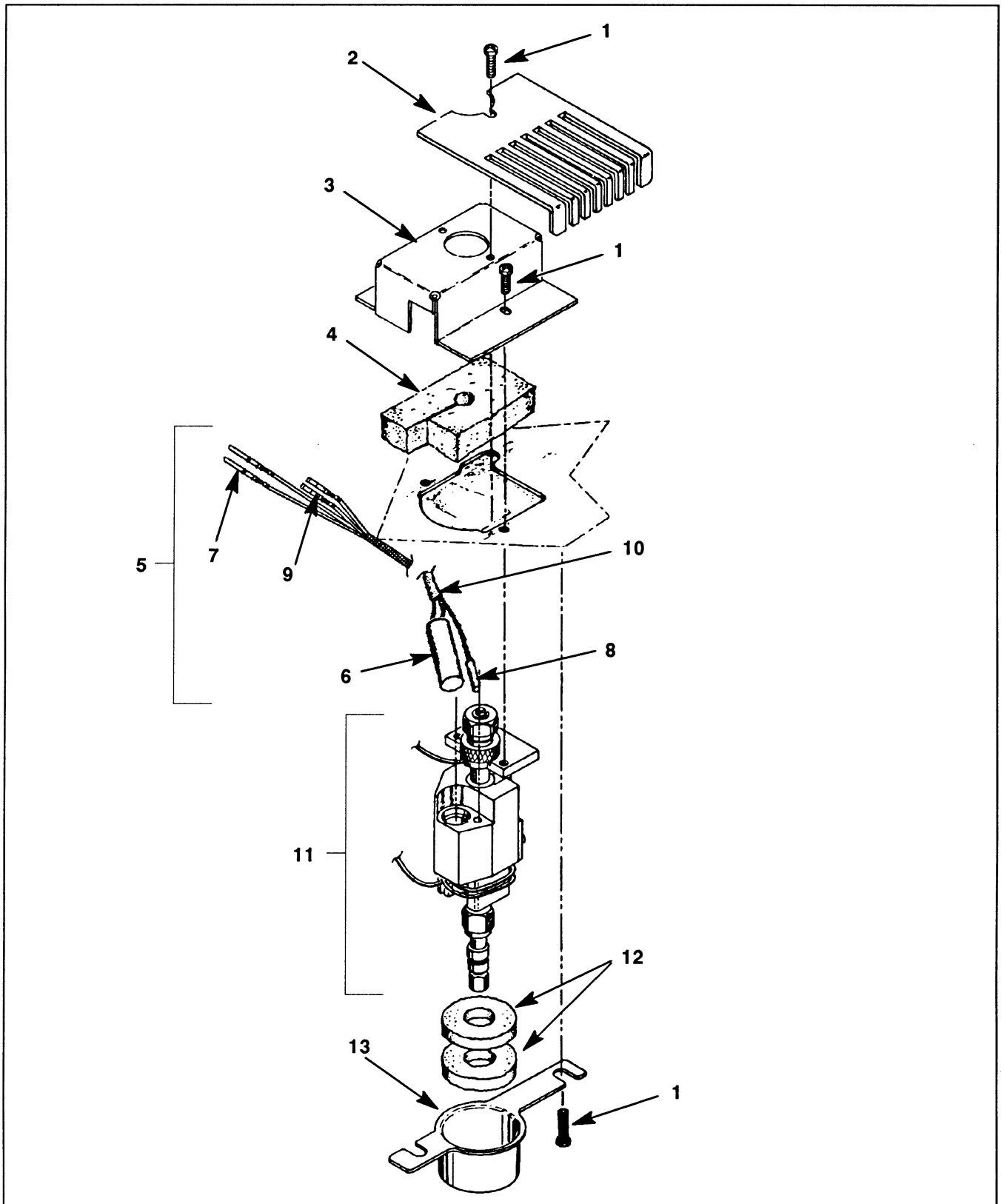


Figure 3. Septum-Purged Packed Column Inlet (Sheet 2 of 4).

Item	Description	HP Part No.	Qty
14	Septum Nut Assembly or Nonpurging Septum Nut Assembly	18740-60830 19243-60570	1 1
15	Septa, Gray, 11-mm od (Pkg/25)	5080-8896	1
16	Top Insert Weldment	19243-80570	1
17	Viton O-ring (Pkg/12)	5080-8898	
18	Packed-Purged Base Weldment	19243-80560	1
19	Heated Block Strap	19243-20750	1
20	Heated Block	19243-20710	1
21	Screw, M4 x 8 mm	0515-0910	1
22	Vespel Ferrule (Pkg/10)	0100-0061 5080- 8774	1 -
23	Tubing Nut, 1/4-inch brass	0100-0056	1
24	Glass Insert (Pkg/25)	5080- 8732	1
25	Capillary Column Adaptor, for 530 μ Columns	19244-80540	1
NS	Capillary Column Nut	18740-20870	1

NS = Not Shown

Figure 3. Septum-Purged Packed Column Inlet (Sheet 3 of 4).

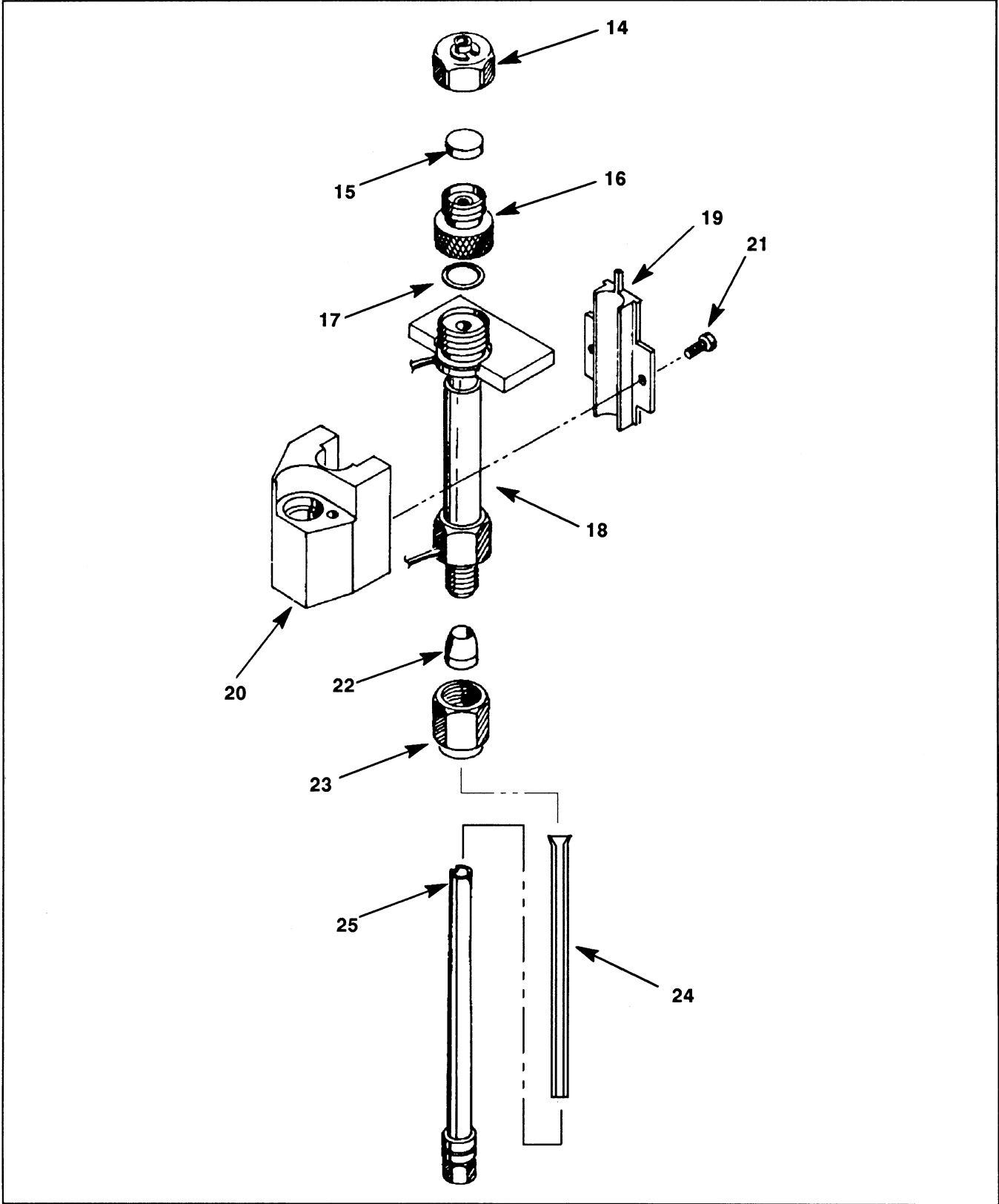


Figure 3. Septum-Purged Packed Column Inlet (Sheet 4 of 4).