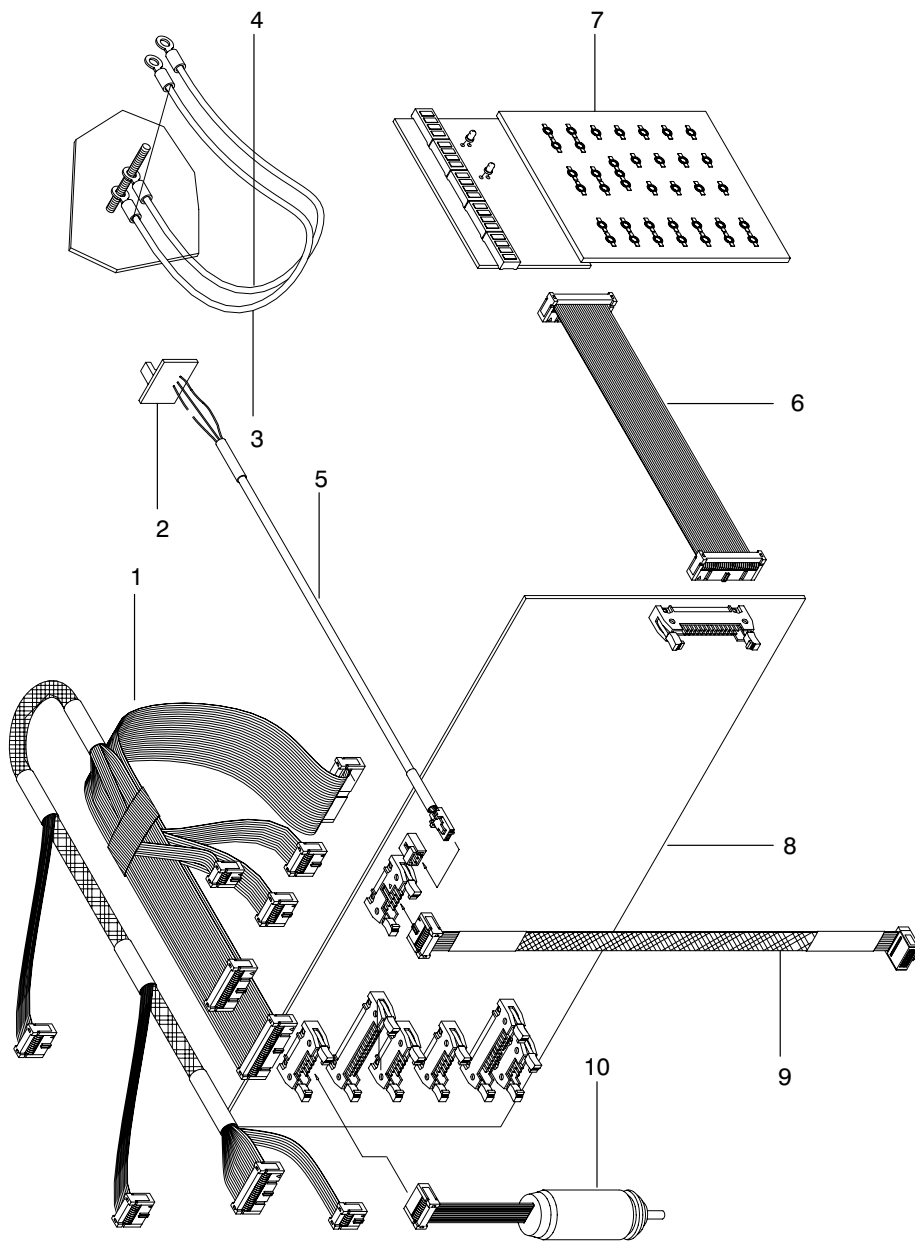


---

## 7694 Cables, Control and Tray Unit

	<b>Description</b>	<b>HP Part No.</b>
1	Flat cable bundle	500-114-HSP
2	Zero sensor board	415-303-HSP
3	Ground cable	500-093-HSP
4	Ground cable, side panel	500-119-HSP
5	Main board—zero sensor board cable	500-108-HSP
6	Main board—key board cable	500-107-HSP
7	PCB key board	415-315-HSP
	Rebuilt PCB key board	415-332-HSP
8	PCB main board	415-309-HSP
	Rebuilt PCB main board	415-321-HSP
9	Main board—position set board cable	500-105-HSP
10	Motor, encoder	425-018-HSP



**Figure 8-4.** Control and Tray Unit Group