

PIN OUTS

M5010

12	GROUND
5	CONTINUE
1	* DESORB / INJECT
9	* DESORB / INJECT

G.C

6	GRN
5	WHT
1	BLK
2	RED

DATA START

2	* DESORB / INJECT	RED
1	* DESORB / INJECT	BLK

**INTERFACE CABLE FROM M5010
TO HP 5890 W/5971 MSD/HP ENGINE GC
TEKMAR PART NO. 14-4653-086**

INSTALLATION INSTRUCTIONS

FOR INTERFACE CABLE NO. 14-4653-086

HEWLETT-PACKARD 5890 GC w/5971 MSD and HP ENGINE GC

This interface cable allows the M-5010 to operate automatically with an HP Model 5890 GC with 5971 MSD (MS/DOS) and HP Engine GC. It enables the GC to provide a GC READY signal to the M-5010 permitting it to advance from DESORB READY to DESORB PREHEAT and to start the GC temperature program upon sample injection.

Connection to the M-5010

Refer to Figure 1 to assist with installation.

- 1) Turn the power off before installing the I/O cable.
- 2) Plug the 15 pin D type connector into receptacle on the rear of the M-5010.

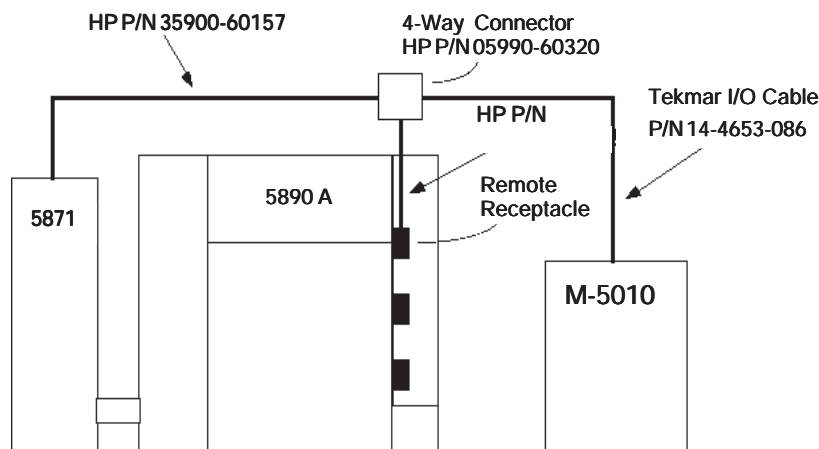


Figure 1 (Overhead View)

Connection to GC

- 1) Remove the right top instrument cover.
- 2) Connect the 12 pin Amp plug into one of the available receptacles on the 4-way connector board.

Note: The four-way connector board and attached connection cables are standard with the 5971 MSD. However, they may need to be installed.

- 3) Coil the cable partially around the strain relief posts and then route it out the rear of the GC.
- 4) Replace the cover.

Additional Connections (if applicable)

The cable has a separate two-wire bundle exiting the M-5010 connector. These can be used to externally start peripheral devices.

- 1) Connect the black wire to the ground, common or negative terminal.
- 2) Connect the red wire to the other terminal.

If not using this part of the cable, these two connections must not be allowed to touch each other. Either cut them off or use electrical tape to isolate them.

GC/MS Considerations

When utilizing this cable with 5971 MSD (MS/DOS), you must press ACQUIRE DATA while in the top level and then select EDIT PARAMETERS. Under INJECTOR CONTROL, select MANUAL.