

Item	Description	HP Part No.	Qty.
1	Chimney	19256- 80510	1
2	Screw, M4 x 25 mm long	0515- 0065	14
3	PMT Assembly	19256- 60510	1
4	● Tube Body	19256- 20780	1
5	● Photo- Multiplier Tube	19256- 80050	1
6	● O- ring	0905- 1099	1
7	● End Cap	19256- 20790	1
8	● Cable Assembly	19256- 60580	1
9	Chimney Back	19256- 00100	1
10	Main Bracket	19256- 00060	1
11	Support Bracket	19256- 00080	1
12	Heater/Sensor Assembly	05890- 61140	1
13	● Heater	19231- 60620	1
14	● Contact	1251- 1679	2
15	● PRT Sensor	19231- 60660	1
16	● Contact	1251- 5963	2
17	● Flexible Sleeving 1/4 x 20 inches	0890- 0862	1

NOTE: A second heater element is used in the FPD detector;
HP Part No. 19256- 60540 (refer to Sheet 6 for illustration).

Figure 6. Flame Photometric Detector (FPD) (Sheet 1 of 6).

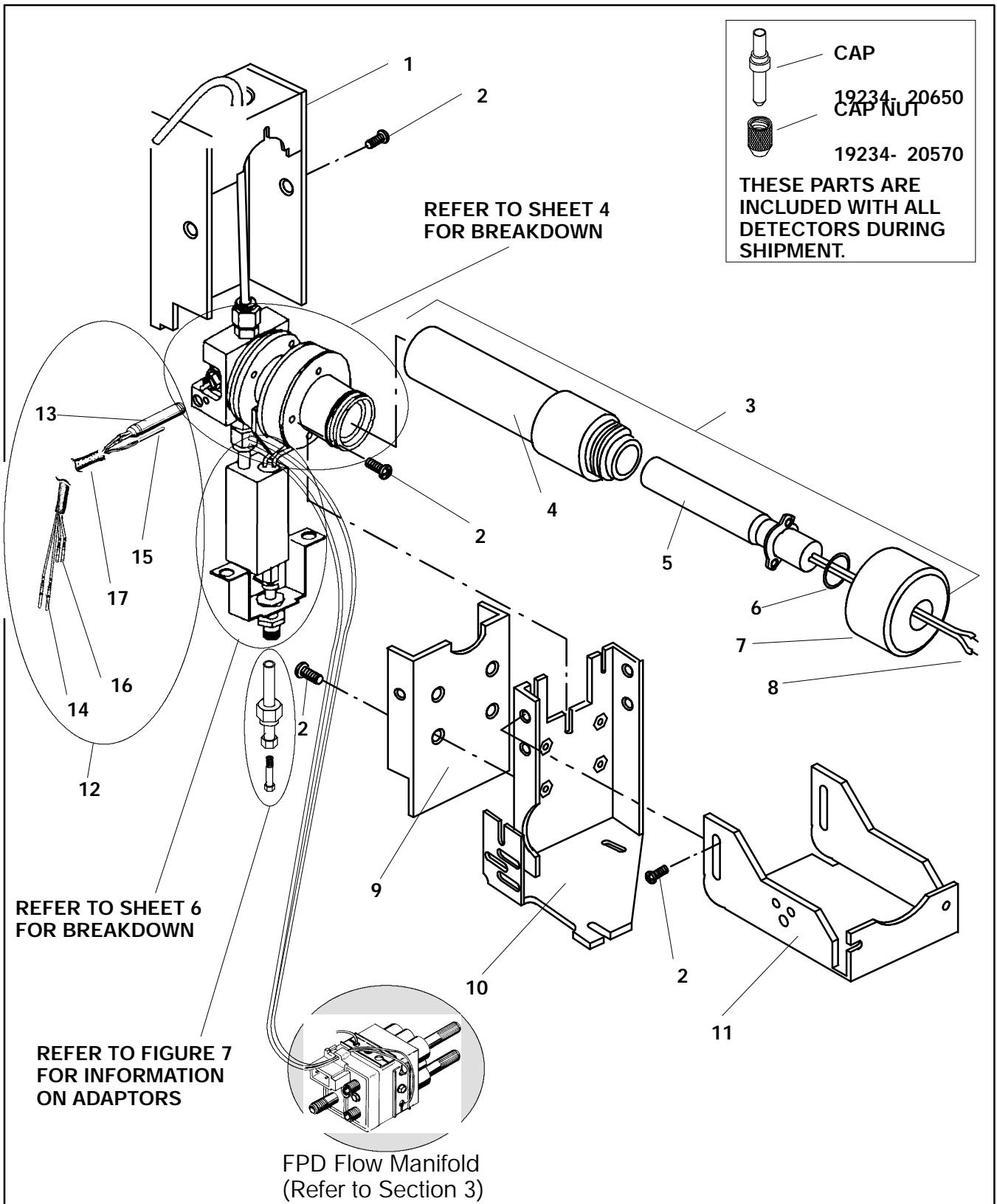


Figure 6. Flame Photometric Detector (FPD) (Sheet 2 of 6).

Item	Description	HP Part No.	Qty.
18	O- ring, Silicone .926- inch id	0905- 0955	1
19	Second Heat Shield Window	19256- 80060	1
20	O- ring, Silicone 1.05- inch id	0905- 1104	1
21	Flange Adaptor	19256- 20510	1
22	Flange Ring	19256- 00200	1
23	O- ring, Viton 1.239- inch id	0905- 11001	
24	Filter, Sulphur		1
	393 Nm	19256- 80000	-
	525 Nm	19256- 80010	-
25	Drip Tube	19256- 20730	1
26	Clamp	19256- 00090	1
27	Screw, M3 x 25 mm- long	0515- 0065	4
28	Exit Tube Assembly	19256- 20700	1
29	Brass Nut, 1/4- inch	0100- 0056	1
30	Vespel Ferrule, 1/4- inch id	0100- 1061	1
31	Block Weldment	19256- 80560	1
32	Heat Shield Gasket	19256- 80040	1
33	First Heat Shield Window	19256- 80030	1
34	Heat Shield Disk	19256- 20580	1
35	Stainless Steel Coupling	19256- 20550	1
36	Lock Washer	2190- 0108	4
37	Screw, M3 x 12 mm- long	0515- 0105	4
38	O- ring, Kalrez 2010	0905- 1102	1
39	Ignitor Spacer	19256- 20590	1
40	Glow- Plug	0854- 0141	1
41	Diode Bridge Assembly.	19256- 60570	1

Figure 6. Flame Photometric Detector (FPD) (Sheet 3 of 6).

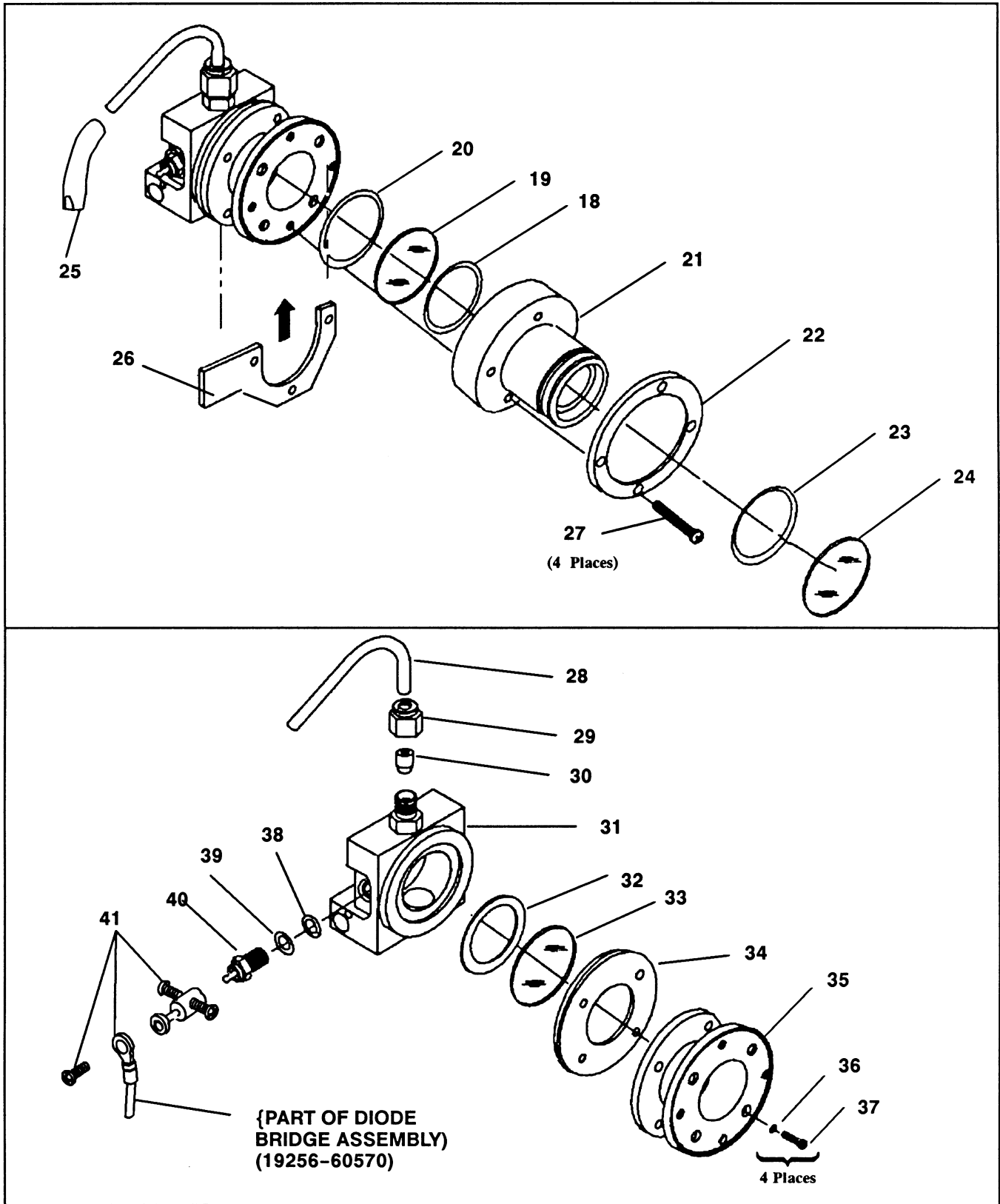


Figure 6. Flame Photometric Detector (FPD) (Sheet 4 of 6).

Item	Description	HP Part No.	Qty.
42	O- ring, Kalrez	0905- 1103	1
43	Jet Weldment	19256- 80580	1
44	Vespel Ferrule, 1/4- inch id	0100- 1061	1
45	Brass Nut, 1/4- inch	0100- 0056	1
46	Heater Assy.	19256- 60540	1
47	Lower Heater Block	19256- 20500	1
48	O- ring, Kalrez	0905- 1101	1
49	Transfer Tube Weldment	19256- 80550	1
50	Gigabore Liner/Ferrule	19256- 60590	1
51	Base Weldment	19256- 80540	1

Figure 6. Flame Photometric Detector (FPD) (Sheet 5 of 6).

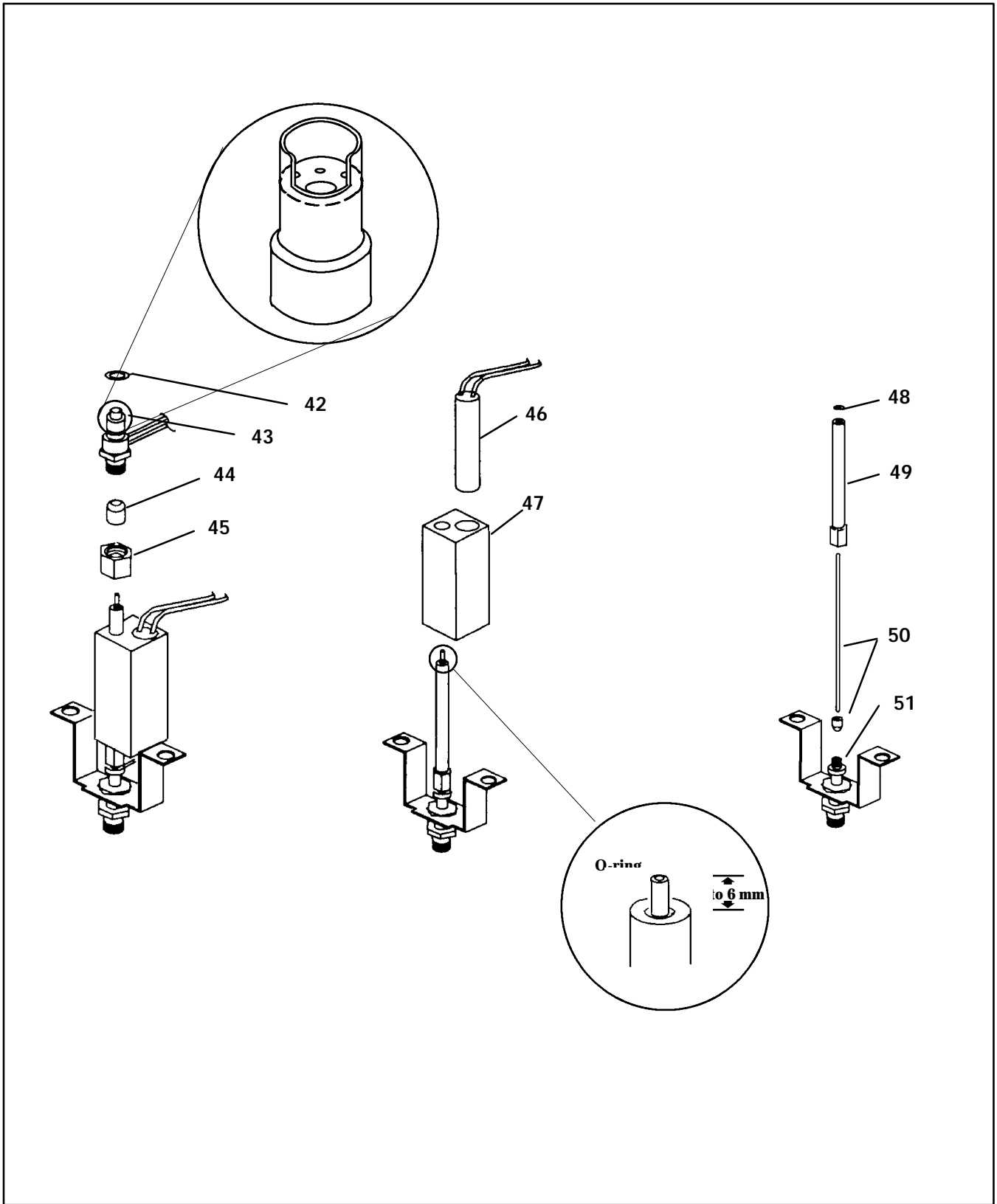


Figure 6. Flame Photometric Detector (FPD) (Sheet 6 of 6).