
764 Tray Unit

Description	HP Part No.	Qty
1 Screw, machine M4 X 10 flat head	0515-0913	4

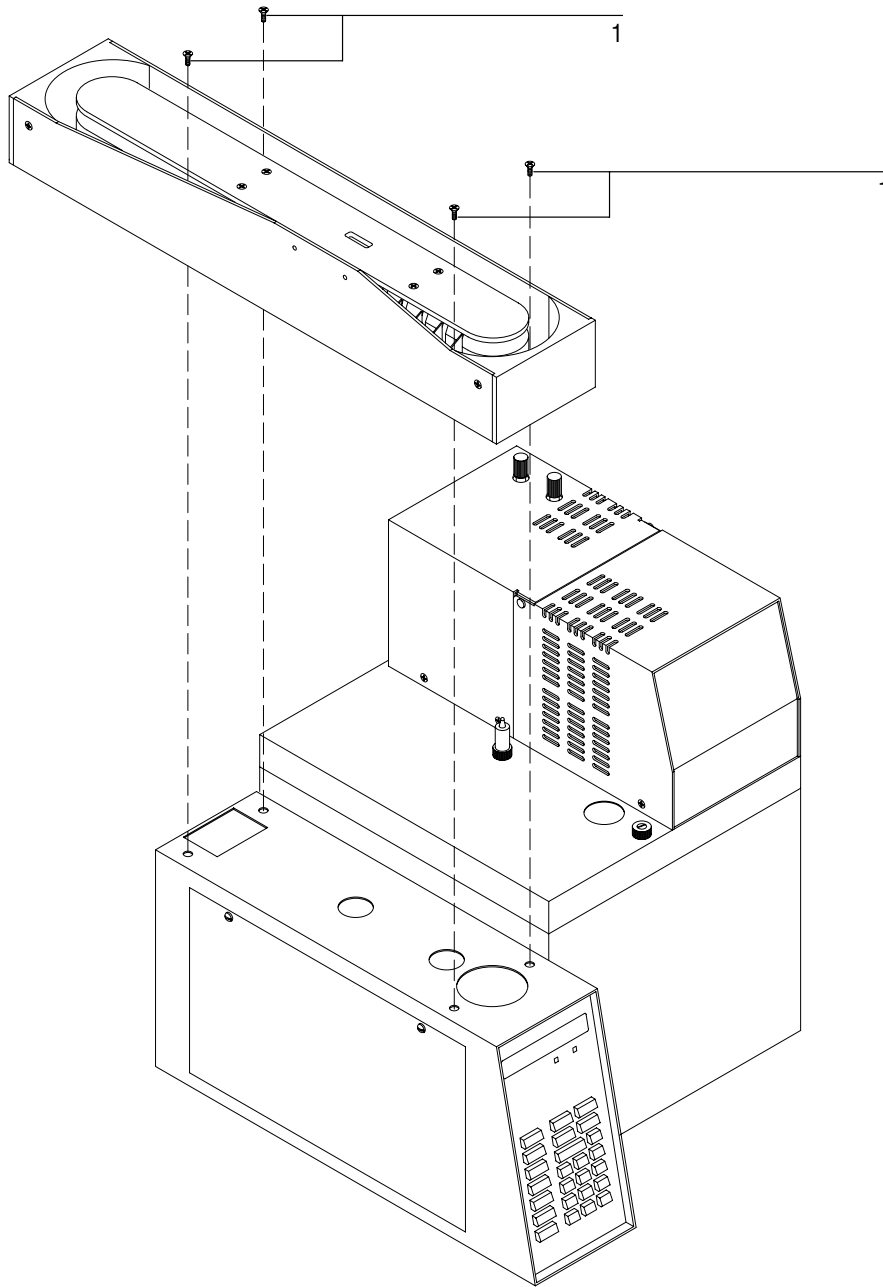


Figure 3-1. Removing the Tray Unit