

Electron Capture Detector (ECD)

Description	HP Part No.	Qty
1. ECD Top Cover	G1533-00040	1
2. ECD Signal Wire Assembly	19233-60635	1
3. Anode/Ferrule/Nut Assembly (specific license required)	19233-67010	1
4. ECD Thermal Cover	G1533-00030	1
5. Thermal Cover Clip	19233-00095	1
6. Top Cover Insulation	G1533-00020	1
7. Screw, M4 x 10 mm, Torx T20	0515-2495	3
8. Clamp, Interconnect	19231-00040	1
9. Captive Screw, Detector Pallet, M4 x 20 mm, T20, Torx	1390-1024	4
10. Detector Pallet	G1531-40020	1
11. Screw, M4 x 45 mm, Torx T20	0515-2484	2
12. Electron Capture Detector Assembly:		1
– General Licensed ECD, New	G1533-60576	-
– General Licensed ECD, Rebuilt	G1533-69576	-
– Japan Only ECD, New	G1533-60730	-
– Japan Only ECD, Rebuilt	G1533-69730	-
13. Detector Block Insulation	G1533-00010	1
14. Lower Seal Insulation	G1533-00080	1
15. Screw, M4 x 12 mm, Torx T20	0515-2496	1
16. ECD Make-up Gas Adapter Weldment:	G1533-80565	1
– Gigabore Liner	19233-20625	-
– End Cap	19233-20755	-
17. Ferrules, Capillary Columns:		1
– No Hole (plug), Graphitized-Vespel	5181-7458	1
– Graphite, 0.5 mm id (10/pkg)	5080-8853	-
– Graphite, 1.0 mm id (10/pkg)	5080-8773	-
18. Capillary Column Nut (2/pkg)	5181-8830	1
19. Screw, M4 x 12 mm, Torx T20, Chromeplate	0515-2711	3
20. ECD Interconnect Assembly	G1533-60510	1
21. ECD Signal Board	G1533-60010	1
22. ECD Interface Board	G1533-60020	1
23. Heater/Sensor Assembly	G1533-60625	1
24. Upper Heated Block	G1533-20525	1
25. Lower Heated Block	19233-20515	1
26. ECD Mounting Plate	G1533-00050	1
27. Nutwarmer Insulation Assembly	19234-60715	3
28. Nutwarmer Cup Assembly	19234-60700	1
29. Tubing Tygon (order 30 in.)	0890-0934	30 in.
30. Vent Elbow	19303-20590	1
31. Tubing Adapter	5020-8231	1

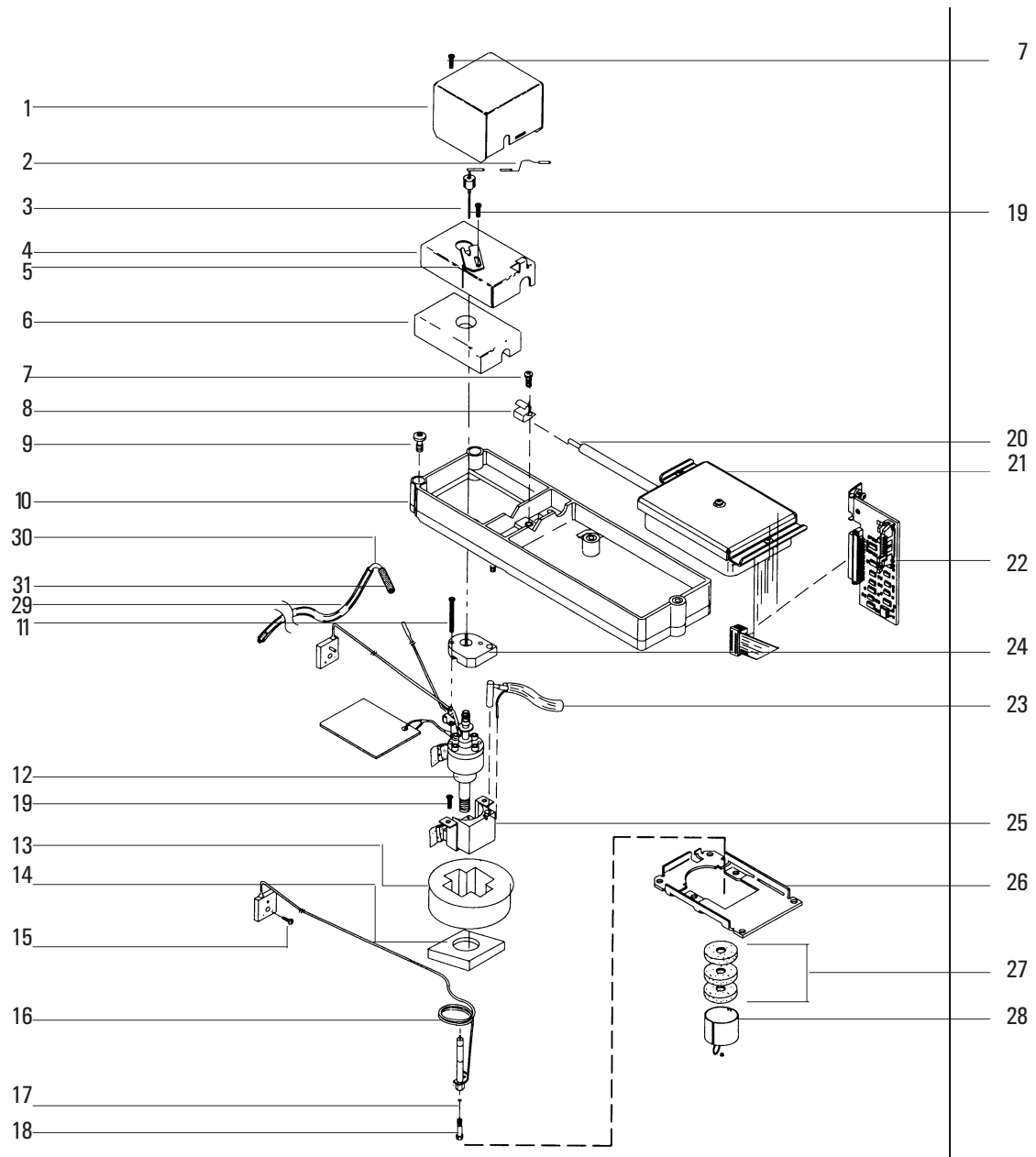


Figure 1320-1 Electron Capture Detector (ECD)