
7694 Horizontal Loader Component

	Description	HP Part No.	Qty
1	Potentiometer assembly	304-2490002-HSP	1
2	Wheel, Hoviz mover	301-079-HSP	1
3	Belt, horizontal	301-007-HSP	1
4	Shaft, wheel, Hoviz	301-078-HSP	1
5	Rod, horizontal carriage	301-080-HSP	2
6	Carriage, front block	301-083-HSP	1
7	Carriage, rear block	301-085-HSP	1
8	Bushing, horizontal rod	301-086-HSP	4
9	Circlip, D6	300-901-HSP	2
10	Hinge, loader unit	301-024-HSP	1
11	Frame, horizontal carriage	301-082-HSP	1
12	Plate, PCB holder	301-143-HSP	1
13	Bracket, PCB holder	301-142-HSP	1
14	Plate, belt lock	301-145-HSP	1
15	Spacer, potentiometer	300-092-HSP	1
16	Bracket, potentiometer	301-136-HSP	1
17	Plate, flat blocking	301-149-HSP	1
Associated Nuts, Screws, and Washers			
A	Screw, flat head M3 X 20	0515-1008	2
B	Washer, toothed M3	2190-0638	2
C	Washer, flat M3	3050-0891	2
D	Screw, M3 X 6 pan head	0515-0924	4
E	Screw, M3 X 10	0515-1005	6
F	Screw, M4 X 8 pan head	0515-0910	2
G	Screw, M3 X 8 pan head	0515-0912	1
H	Screw, M4 X 10	0515-0913	1

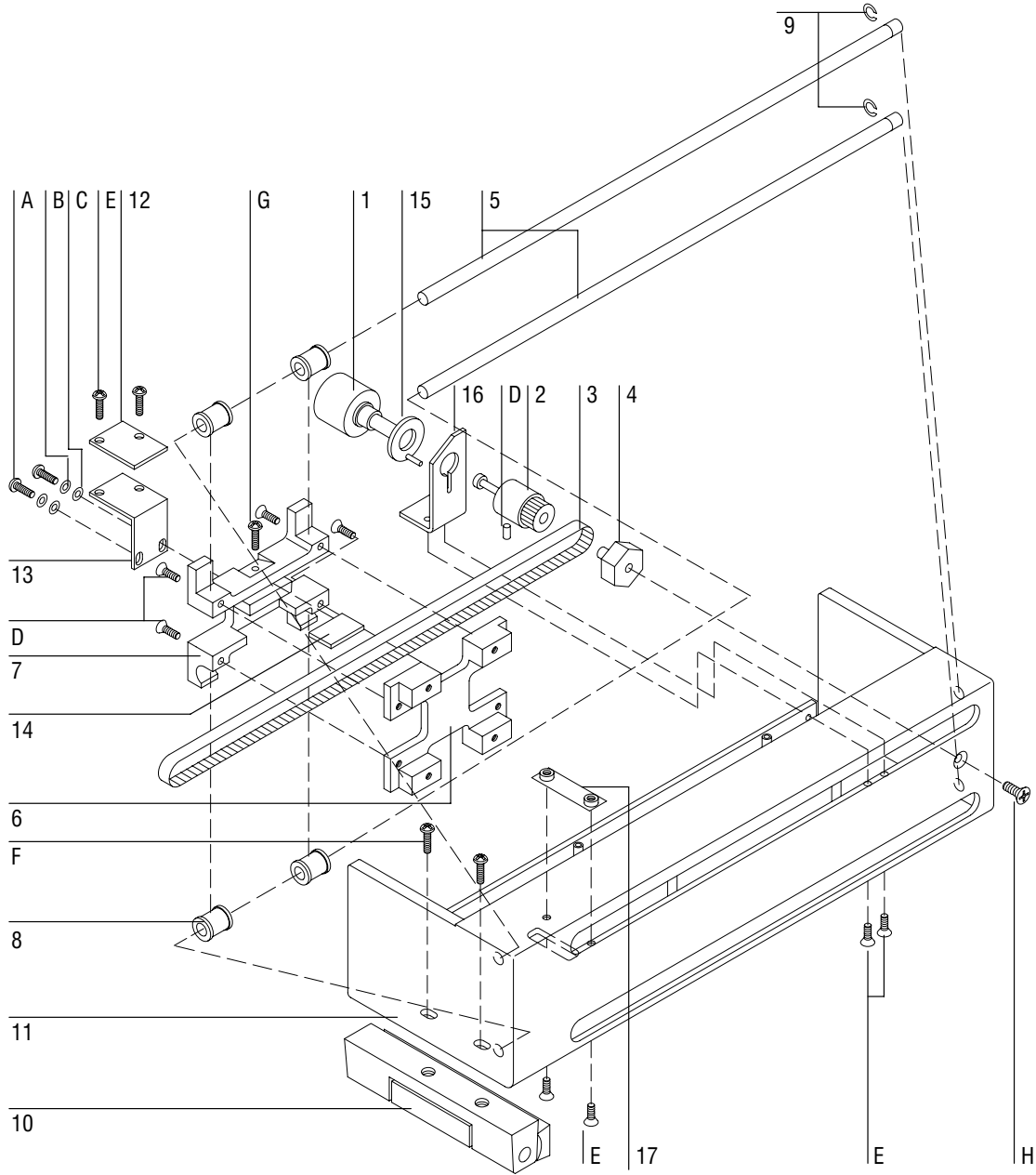


Figure 2-4. Horizontal Loader Components