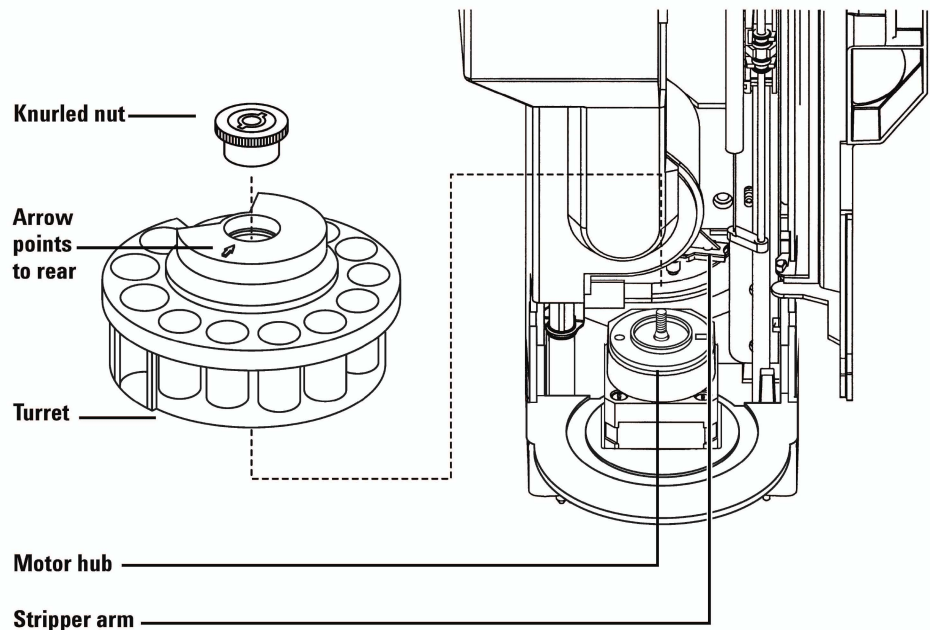


- 3 Rotate the turret so that the open section faces the back of the tower and the arrow on top of the turret points directly back (Figure 2). Push the stripper arm toward the back, then lift the front of the turret so that it clears the center shaft. Remove the turret.



**Figure 2** Removing the turret

- 4 Push the stripper arm to the back of the tower, insert the turret with the open section facing the back of the tower and the arrow pointing back, and install the turret. Seat the turret on the hub, rotating it gently until it drops partially into position then push it down. The top of the threaded shaft will be almost level with the top of the turret.
- 5 Replace the knurled nut and tighten it firmly using fingers only.
- 6 Close the injector door. The injector will verify the turret type if it is powered. If the fault light comes on the turret is not installed correctly.
- 7 If using the 5890 ALS controller software, select **Read Settings from ALS** to upload the new turret type.